

## Nero Collection

# 10mm Radius Undermount Bar/Prep Bowl

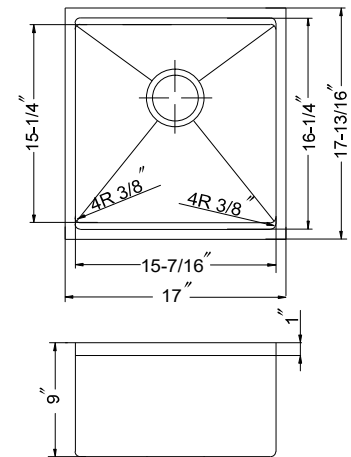
Model : **NER-1516BW**



### FEATURES

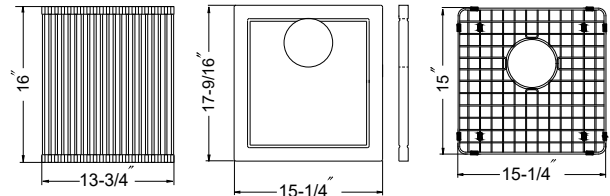
- Manufactured with innovative PVD and Nano technology over premium grade T-304 stainless steel.
- Handmade sink with scored bottom
- 9" depth • 16 gauge • Rear-set drain
- TotalGuard+ Insulation over Sound Deadening Pads
- StoneShield Undercoating
- 3-1/2" drain opening
- Fits 21" sink base
- Supplied with cutout template, fasteners and instructions
- Includes : Wood Cutting Board, Multi-Purpose Roll-Up Mat, Bottom grid, Stainless Steel Basket Strainer.
- 5-Year Limited Warranty

NER-1516BW



### OPTIONAL ACCESSORIES

Bottom Grid: SWG-1517 BL    Roll-Up Mat: ROL-1416 BL  
 Cutting Board : CUT-1717    Strainer: BAS-2000 BL



OVERALL DIMENSIONS	EACH BOWL	CUTOUT SIZE	PACKAGING*	WEIGHT*
17" x 17-13/16"	15-7/16" x 16-1/4"	See Template	1/20 pcs.	21/460 lbs.

\*Standard packaging: Single boxed /Pallet of single boxed.  
 All dimensions are in inches. Specifications subject to change without notice.

Project/Job name \_\_\_\_\_

Architect/Engineer \_\_\_\_\_

Contractor \_\_\_\_\_

Model \_\_\_\_\_ Qty \_\_\_\_\_

Notes \_\_\_\_\_

### Installation profile

