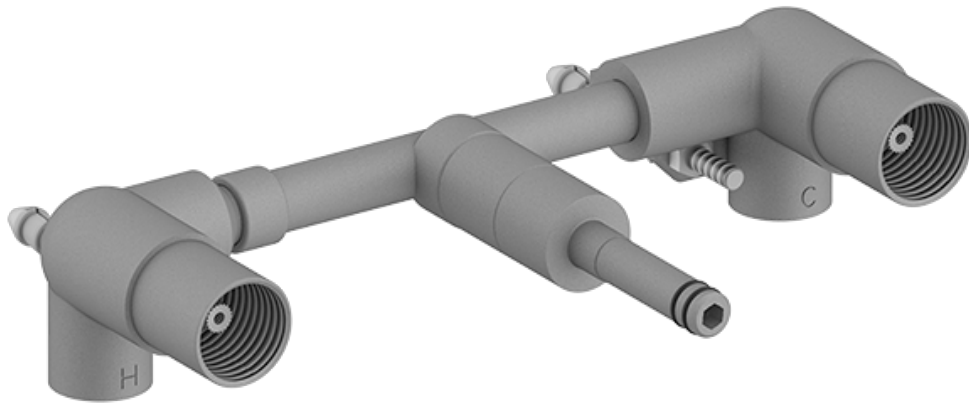


BATHROOM  
Rough Valve  
**G-1012**

---

**GRAFF**<sup>®</sup>



# G-1012

## MOD+ Series

