

SHOWER
Pressure Balancing Shower
System - Tub and Shower
G-7270-C15S

GRAFF®

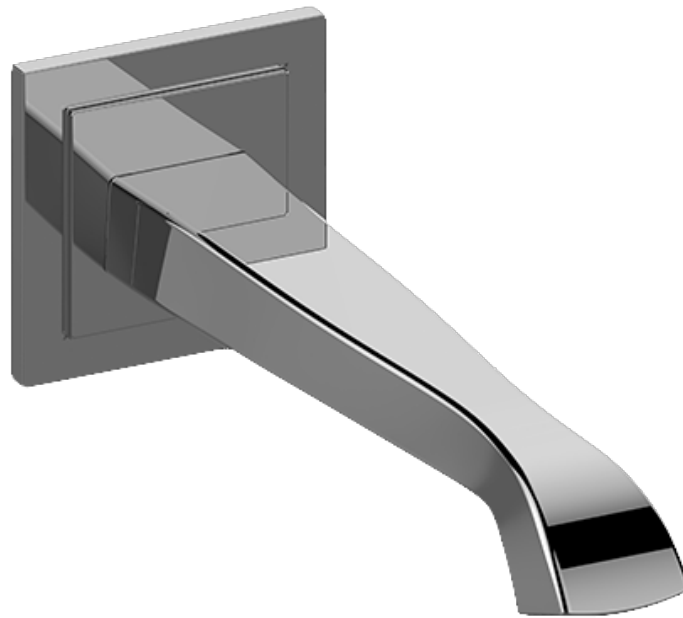


Information

- 1/2" pressure balance valve with diverter and trim
- 9" showerhead with 12" wall-mounted shower arm
- Showerhead features no-clog, easy-clean spray nozzles
- 8" matching Finezza collection tub spout
- Optional extension kit
- Showerhead flow rate ≤ 1.8 max gpm
- ADA
- CALGreen

SHOWER
8" Finezza Tub Spout
G-6865

GRAFF®



Information

- Includes spout ring
- 1/2" NPT male thread inlet
- Tub spout flow rate ~ 12.4 gpm @60 psi
- Matches Finezza UNO and Finezza DUE Collections

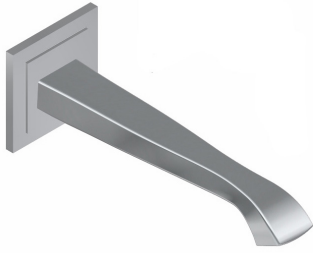
Finishes



G-6865

Finezza Collection
8" Finezza Tub Spout

GRAFF®



Product Features

- Includes spout ring
- 1/2" NPT female thread inlet
- Matches Finezza UNO and Finezza DUE Collections
- Tub spout flow rate ~ 12.4 gpm @60 psi

Available Finishes

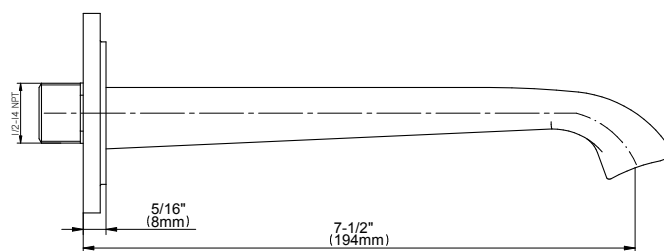
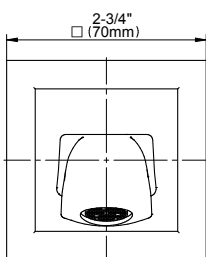
- Polished Chrome
G-6865-PC
- Brushed Nickel
G-6865-BNi
- Polished Nickel
G-6865-PN
- Olive Bronze
G-6865-OB
- Unfinished Brass*
G-6865-UB*
- Gold*
G-6865-AU*
- Brushed Gold*
G-6865-BAU*

* Special order finish- call for availability

Warranty

- Limited lifetime warranty

For complete warranty information go to <https://www.graff-faucets.com/en/info/faqs>



The measurements shown are for reference only. Products and specifications shown are subject to change without notice. Revised 5/2018.

www.graff-designs.com | phone: 800-954-4723

SHOWER
 Concealed Pressure Balancing
 Valve Rough w/Diverter
G-7055



Information

- Anti-scald protection
- 1/2" universal inlets/outlets with male threads
- Built-in service stops
- Push-button diverter
- For use with tub & shower configuration
- Supplied with protective plastic guard

Finishes



G-7055

1/2" Rough Valve w/Diverter



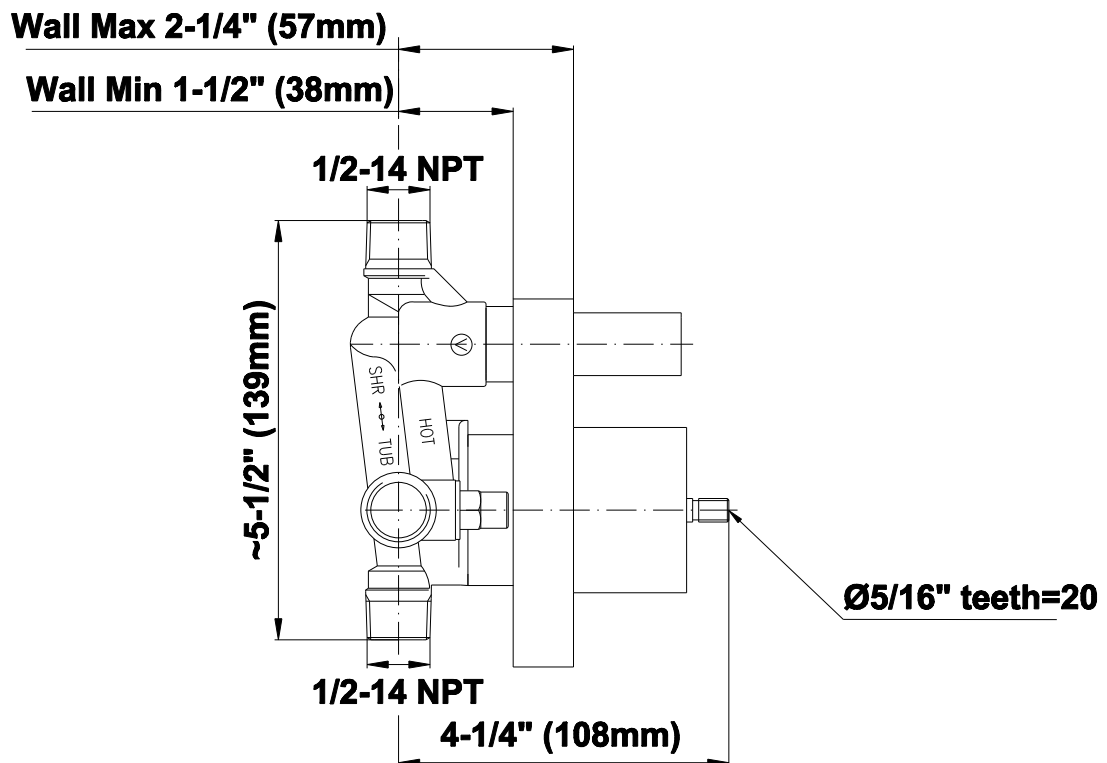
Product Features

- Anti-scald protection
- 1/2" universal inlets/outlets with male threads
- Built-in service stops
- Push-button diverter
- For use with tub & shower configuration
- Supplied with protective plastic guard

Warranty

- Limited lifetime warranty

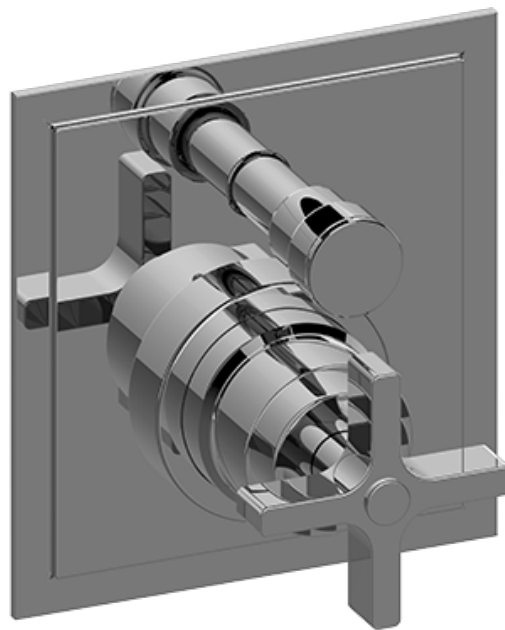
For complete warranty information go to www.graff-faucets.com/en-nam/warranty



The measurements shown are for reference only. Products and specifications shown are subject to change without notice. Revised 06/2014.

www.graff-faucets.com | phone: 800-954-4723


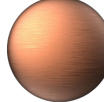
SHOWER
 Finezza Pressure Balancing Valve
 Trim Plate with Handle and
 Diverter
G-7085-C15S-T



Information

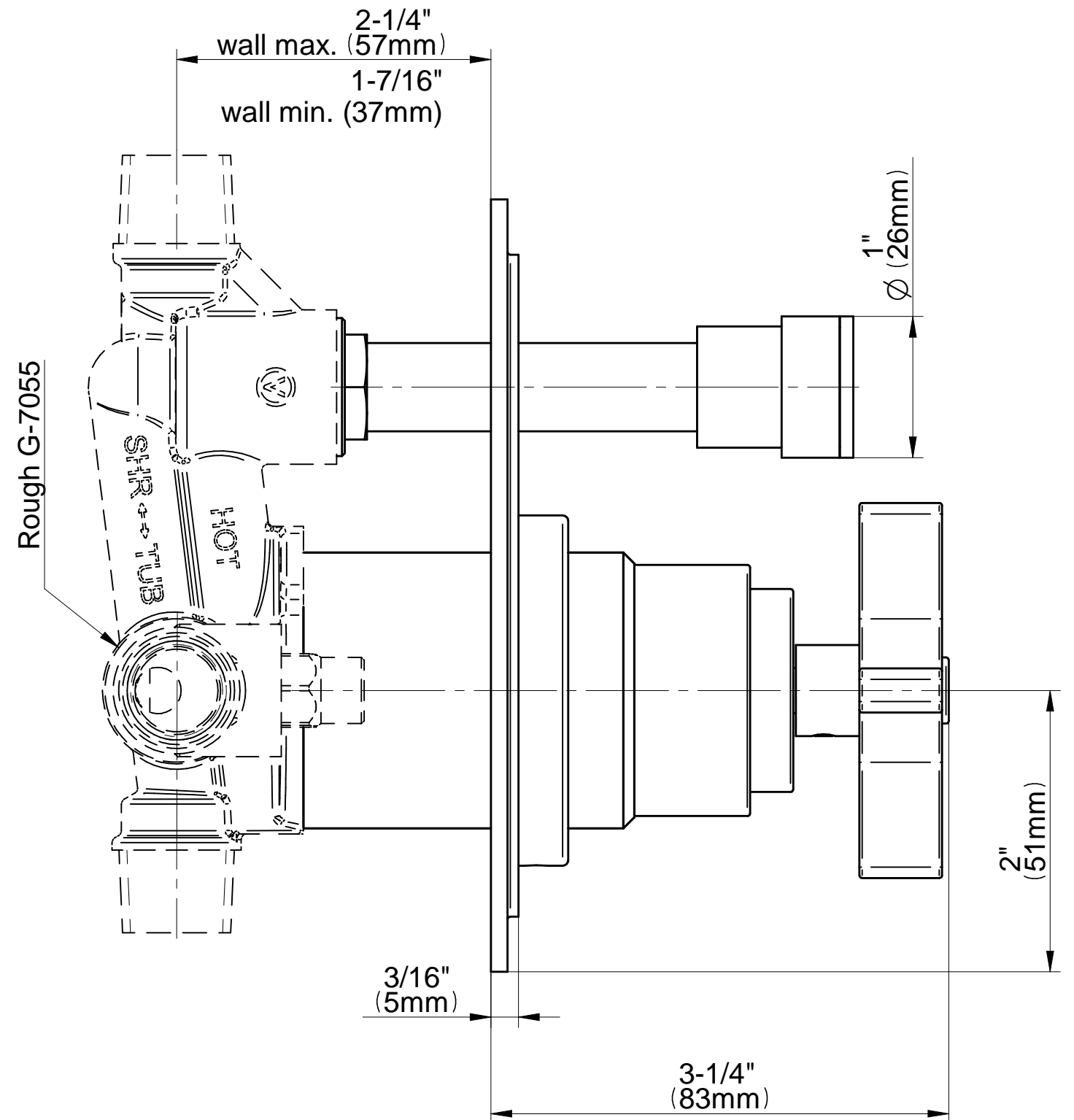
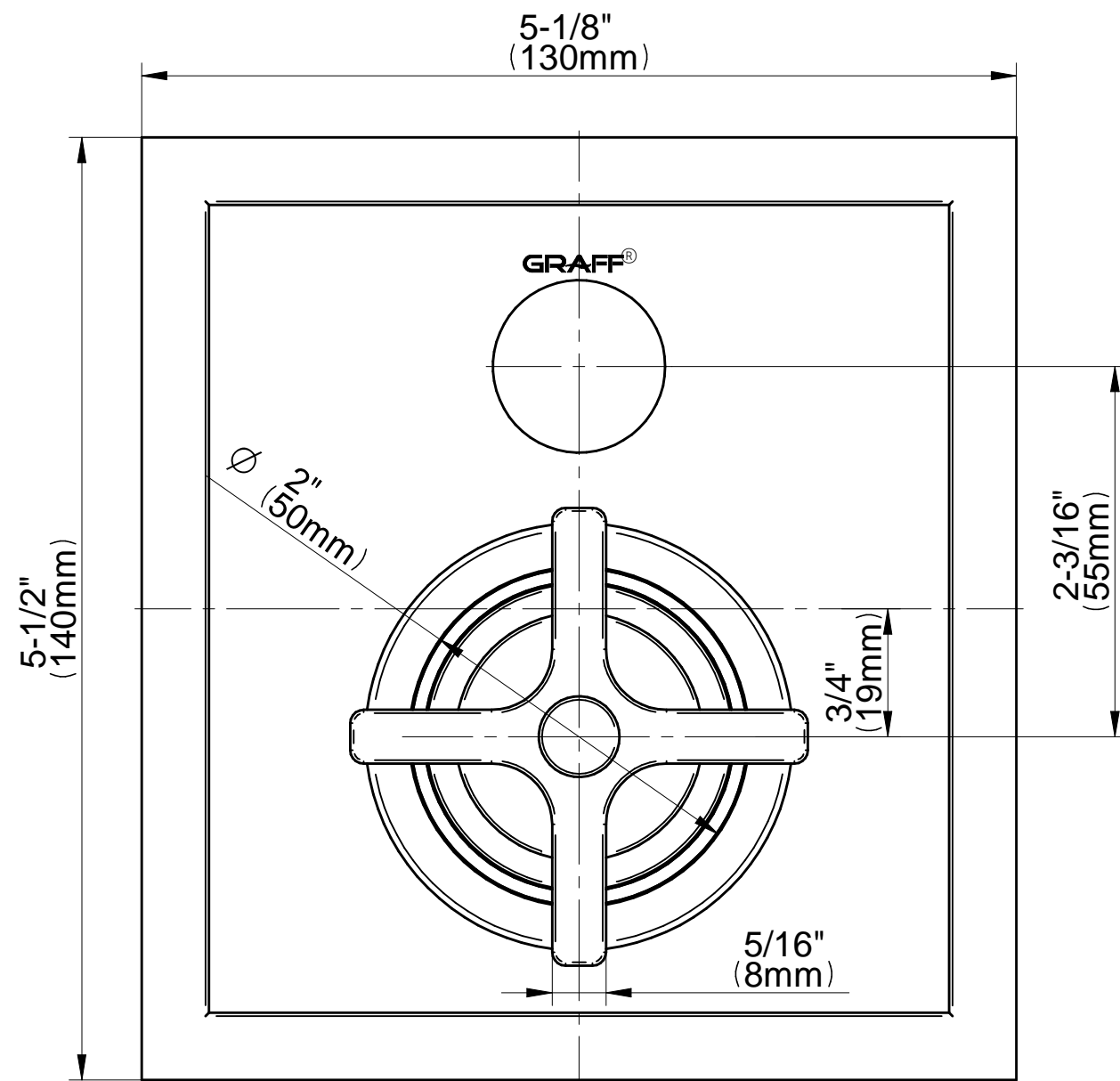
- Single metal handle and decorative trim plate
- Includes push-button diverter
- Use with G-7055 Pressure Balancing rough valve

Finishes

							
24K Gold	24K Brushed Gold	Brushed Brass PVD	Architectural Black™	Brushed Nickel	Brushed Onyx PVD®	Brushed OR'osa PVD®	Gunmetal
							
Matte Black	Olive Bronze	Onyx PVD®	Polished Brass PVD	Polished Chrome	Polished Nickel	OR'osa PVD®	Unfinished Brass
							
Unfinished Brushed Brass	Vintage Brushed Brass	Architectural White					

G-7085-C15S-T

FINEZZA UNO Series

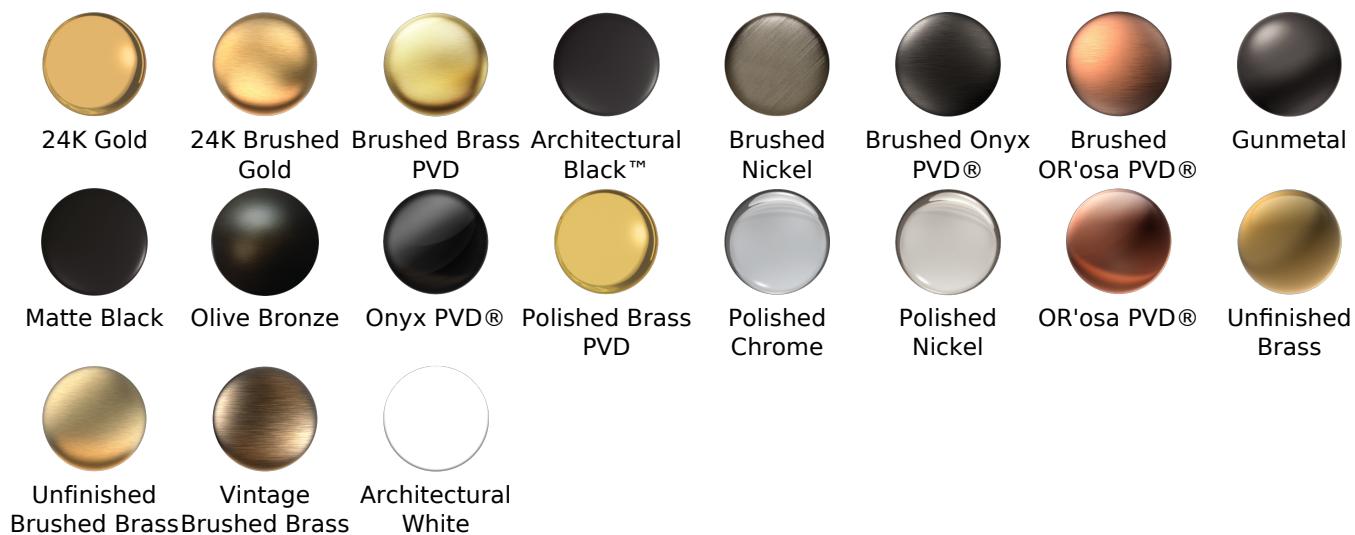




Information

- 126 no-clog, easy-clean rubber spray nozzles
- Recommended use with ceiling shower arm
- Recommended for use at no more than 10 degrees tilt
- Showerhead flow rate ≤ 1.8 max gpm
- CALGreen

Finishes



G-8406

Finezza Collection
9" Rain Showerhead

GRAFF[®]
CUTTING EDGE DESIGN

Product Features

- Sunflower shape
- 126 no-clog, easy-clean rubber spray nozzles
- Showerhead flow rate < 1.8 max gpm

Available Finishes

- Polished Chrome
G-8406-PC
- Brushed Nickel
G-8406-BNi
- Polished Nickel
G-8406-PN
- Unfinished Brass*
G-8406-UB*
- Olive Bronze
G-8406-OB*
- Gold*
G-8406-AU*
- Brushed Gold*
G-8406-BAU*

* Special order finish- call for availability



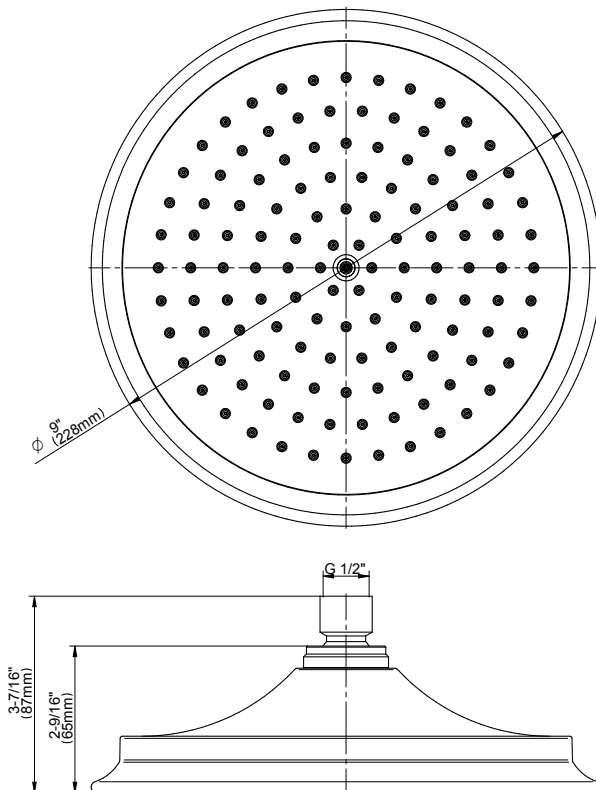
Code Compliance

- CALGreen

Warranty

- Limited lifetime warranty

For complete warranty information go to www.graff-designs.com/en-nam/warranty



The measurements shown are for reference only. Products and specifications shown are subject to change without notice. Revised 12/2017

www.graff-designs.com | phone: 800-954-4723

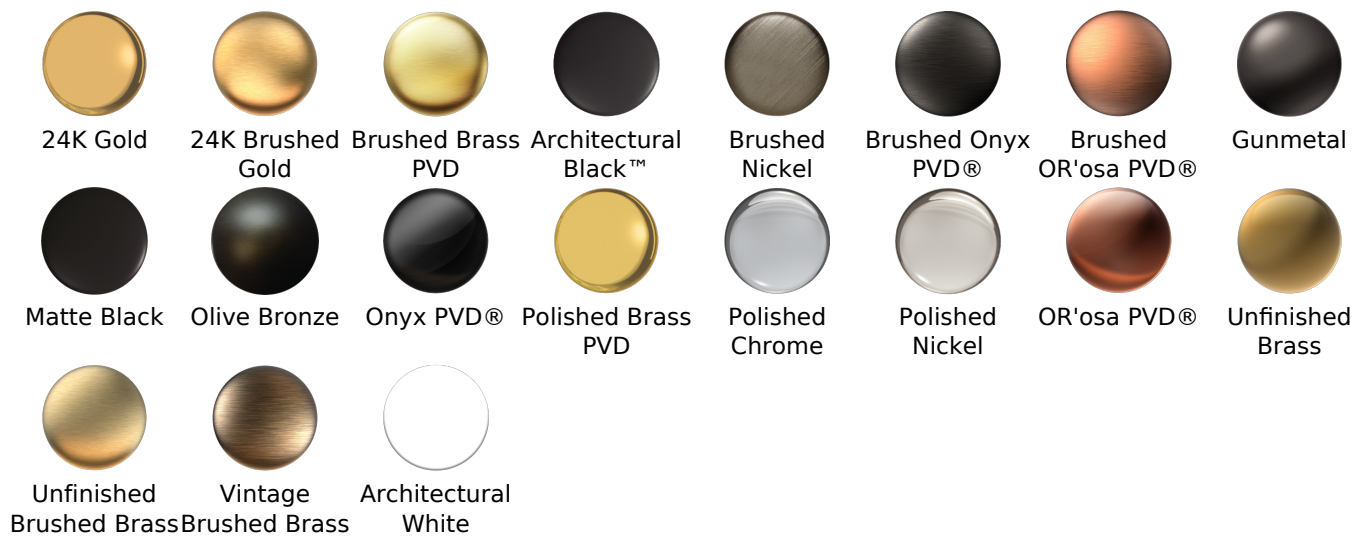
SHOWER
 Finezza 12" Shower Arm
G-8513



Information

- Includes arm and solid flange
- 1/2" NPT male thread inlet
- For use with all showerheads (especially G-8406)

Finishes



G-8513

Finezza Collection
12" Shower Arm

GRAFF[®]
CUTTING EDGE DESIGN



Product Features

- Includes arm and solid flange
- 1/2" NPT male thread inlet

Available Finishes

- Polished Chrome
G-8513-PC
- Brushed Nickel
G-8513-BNi
- Polished Nickel
G-8513-PN
- Olive Bronze™
G-8513-OB

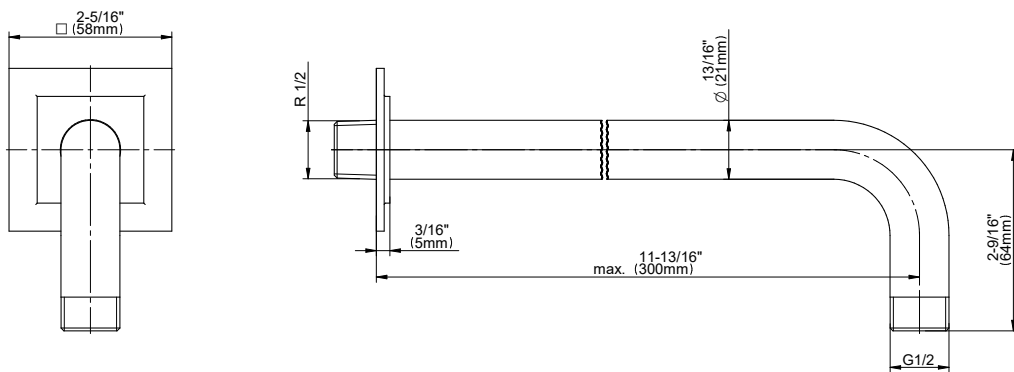
Optional Accessories

- For use with all showerheads especially G-8406-**

Warranty

- Limited lifetime warranty

For complete warranty information go to: www.graff-faucets.com/en/info/faqs



The measurements shown are for reference only. Products and specifications shown are subject to change without notice. Revised 01/2017

www.graff-faucets.com | phone: 800-954-4723