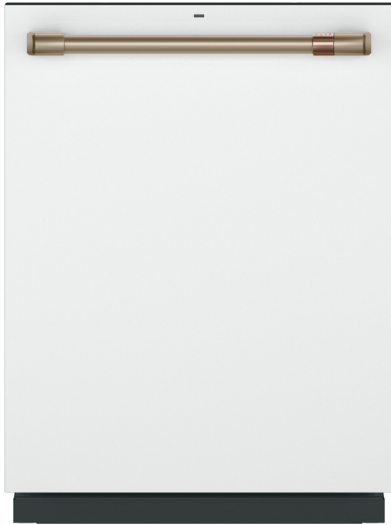


Café™ Stainless Interior Built-In Dishwasher with Hidden Controls



CDT845P4NW2 / CDT845P3ND1 / CDT845P2NS1



CDT845P4NW2
Matte White with Brushed
Bronze handle

ALSO
AVAILABLE IN



CDT845P3ND1
Matte Black with
Brushed Stainless
handle



CDT845P2NS1
Stainless Steel with
Brushed Stainless
handle



FEATURES & BENEFITS

Ultra-Wash & Dry – Unload sparkling clean, table-ready dishes thanks to our 90+ cleaning jets and an Ultra-Dry system that deliver excellent results

Loading Flexibility – Load the dishes your way: Our lower wash arm provides excellent coverage for the largest of loads. The fold down tines accommodate wide or oddly shaped items and our third rack provides extra space for your silverware and kitchen utensils

Adjustable Upper Racks – You'll have room for your finest stemware and space for tall bakeware with a rack that can be moved two inches up or down, creating ultimate loading flexibility

Wash Zones – Save time and use less water when you don't have a full dish load with a fully customizable cycle that lets you wash a true half load in the upper or lower rack

Steam + Sani - Eliminate the need to pre-wash dishes at the end of every meal, thanks to a Steam + Sani feature that easily loosens lingering traces of food with an added bonus of complete sanitization

Create a look that matches your personal style – Select any combination of premium finishes and hardware options to create a stunning look customized to any owner's taste

APPEARANCE

| | |
|-----------------|----------------------------------------------------------------------------------------------------|
| Door Style | Long Door with Top Controls |
| Installation | Side Installation or Top Installation Included; Built-Up Floor Capable; Flush Cabinet Installation |
| Door Appearance | Full-length flat door |

FEATURES

| | |
|-----------------------------|------------------------------------------------------------------------------------------------------------------------------------------------------------------------------------------------------------------------------------------------------------------------|
| Style | Built-In |
| Tub and Door Liner | Stainless Steel |
| Tub Type | Tall Tub |
| Control Type | Top Controls; Cap Touch Controls; 12 Touchpads |
| Dishwasher Control Features | Cycle Countdown with Bi-Color LED Status Light on door; 1 "Clean" Light; 1 "Sanitized" Light; 1 "Low Rinse Aid" Light; Last Cycle Memory; Audible End-of-Cycle Signal |
| Wash System | 3-Level; 800 Series |
| Wash System Features | Dual Pumps and Motors; Automatic Temperature Control; Drain Pump; Hard Food Disposer with removable filter; Reversing Quad Blade Lower Wash Arm; Quad Blade Middle Wash Arm; 90 Spray Jet Wash System; Deep Clean Silverware Jets; Automatic HotStart; Bottle Jets (4) |
| Sensor | Clean Sensor |
| Wash Arms | 3 Wash Levels; Lower- Reversing Quad Blade; Middle - Quad Blade; Bottle Jets; Deep Clean Silverware Jets |
| Water Filtration System | 100% Filtration with Hard Food Disposer and Removable Filter |
| Dispenser | Rinse Aid with Indicator and Adjustment |
| Number of Cycles | 5 |
| Dishwasher Cycles | Auto; Pots; Normal; China; Express |
| Number of Options | 12 |
| Dishwasher Options | Delay Start 1-12 Hr.; Lock Controls; Hi-Temp Wash; Presoak + Sanitize (NSF Certified); Heated Dry Off; Normal Dry; Ultra Dry; Wash Zone Upper Only; Wash Zone Lower Only; Start/Reset; Bottle Jets |
| Rack Features | Ball-Tipped Tines; Adjustable Upper Rack; 3-Piece Silverware Basket with Cell Covers; Full Extension Slides - Upper; 2 short articulating plastic utility shelves w/Stemsafe and chop-stick slots |
| Racking Material | Nylon |
| Racking System | Full 3rd rack |
| Rack Color | Black Pearl |
| Number of Place Settings | Up to 16 |
| Upper Rack | Premium Height Adjustable; Ball-Tip Tines; 1/2 fixed tines, 1/2 fold down tines; Fixed tines with Bottle Jets; 1 Rack handle; 2 Stem Safe Shelves; Chop stick slots |
| Lower Rack | Ball-Tip Tines; 1/2 fixed tines, 1/2 fold down tines |
| Dishwasher Drying Features | Multi-Wattage Wash & Dry Element; Heated Dry - Ultra/On/Off; Fan Assist Dry |
| Cutlery Tray | One piece removable 3rd rack |
| Leveling System | 4 Leveling Legs |
| Latch | Pull with Handle |
| WiFi Connect | Optional (Requires part no. PBX23W00Y0) |
| Exterior Style | Traditional |

ECONOMICAL/QUIET

| | |
|-----------------|-----------------------------------------------------|
| Quiet Package | 45 dBA |
| Quiet Features | Quiet Water Valve; Sealed Toe Kick; Tub Collar Trim |
| Motor Type | Single Speed |
| Outer Wrap | Full-wrap Blanket; Bitumen |
| Door Insulation | Insulation; Mastic |

WEIGHTS & DIMENSIONS

| | |
|-------------------------------------------|-----------|
| Cabinet Width | 24 in |
| Approximate Shipping Weight | 118 lb |
| Net Weight | 105 lb |
| Overall Height | 34 in |
| Height w/ Legs Retracted - Minimum Height | 33-3/8 in |
| Height w/Legs Extended - Maximum Height | 34-5/8 in |
| Overall Depth | 24 in |
| Overall Width | 23-3/4 in |

Café™ Stainless Interior Built-In Dishwasher with Hidden Controls



CDT845P4NW2 / CDT845P3ND1 / CDT845P2NS1

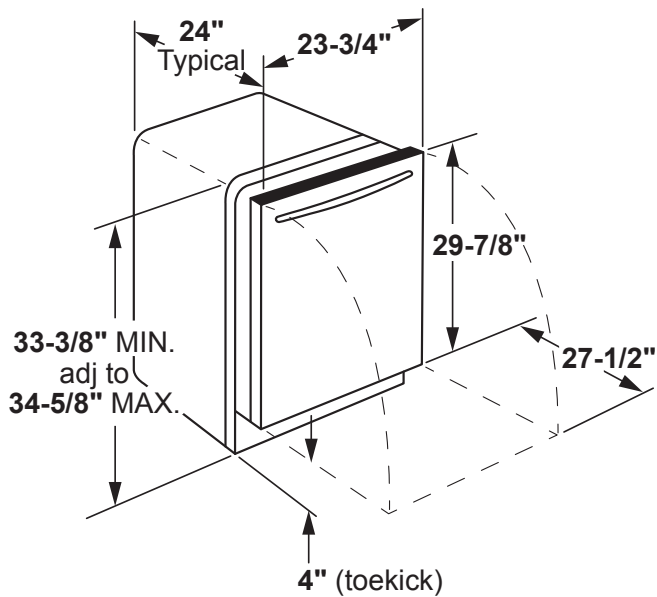
TECHNICAL DETAILS

| | |
|---------------------|------------------------------------------------------|
| Calrod Heater Watts | 800/500 |
| Power Connection | Optional cord kit (GPFCORD - WX09X70910, WX09X70911) |
| Volts/Hertz/Amps | 120v; 60Hz; 6.6A |

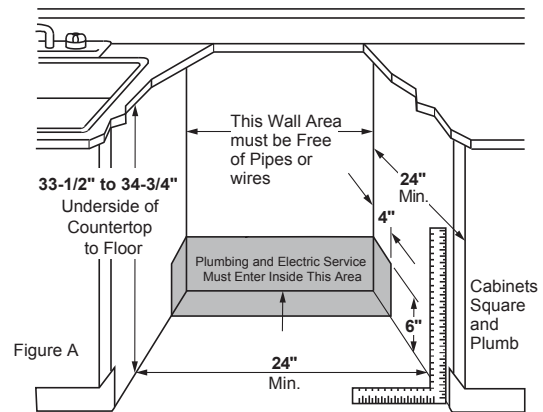
WARRANTY

| | |
|----------------|---------------------------------------|
| Parts warranty | Limited 1-year entire appliance |
| Labor warranty | Limited 1-year entire appliance |
| Warranty notes | See written warranty for full details |

DIMENSIONS



INSTALLATION DIMENSIONS



ADDITIONAL ACCESSORIES



Brushed Bronze
CXADTH1PMBZ



Brushed Stainless
CXADTH1PMSS



Brushed Black
CXADTH1PMBT



Brushed Copper
CXADTH1PMCU