

### SPECIFICATIONS

#### Features/Benefits

- D469050: Two Position Wall Mount Bracket for Handshowers
- D469100: Shower Arm Mount with Brass Ball Joint and Integral Check Valve

#### Available Color/Finishes

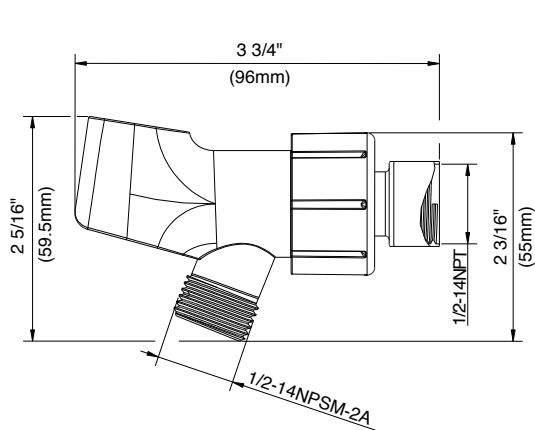
Color	Description
	Chrome

Please see [gerberonline.com](http://gerberonline.com) or current price list for available finishes. Finish is defined by additional suffix.

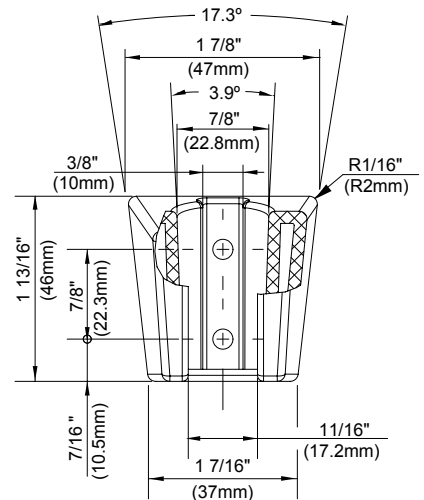
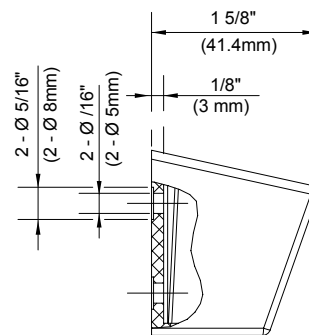
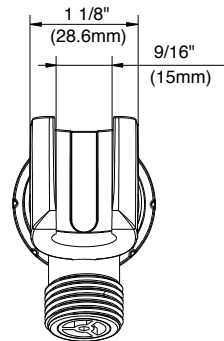


D469100

D469050



**D469100**



**D469050**

#### Submittal Information:

Name: \_\_\_\_\_

Contractor: \_\_\_\_\_

Location: \_\_\_\_\_

Contact #: \_\_\_\_\_