



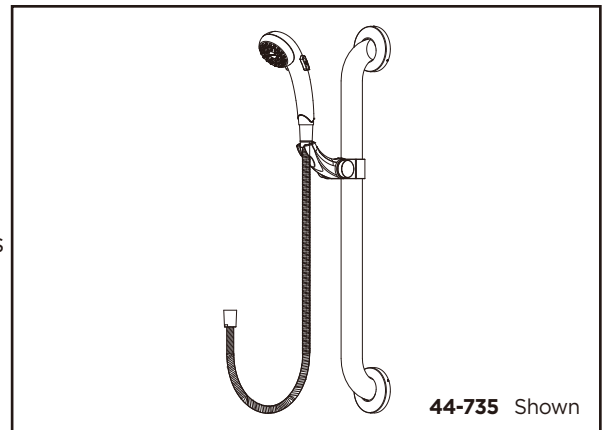
GERBER

44-735 Series Commercial ADA Shower System



Features:

- ADA compliant grab bar in stainless steel 1 1/2" by 24"
- Separate mounting parts for dry wall and wood stud installations
- One hand adjustable slide bar mechanism
- Shower at 2.5 gpm @ 80 psi
- Push button trickle or full spray functions hand shower 49-003
- 300 lbs. max. weight capacity when mounted to drywall or 500 lbs. max. weight capacity when mounted to wood stud
- Safety trickle setting ideal for temporary off mode or shampooing
- 72" hose
- Optional hand shower holder for wall mount application
- Optional 3-way diverter for tub, shower and hand shower application



Technical Specifications:

- ASME A112.18.1M
- ANSI A117.1
- CSA B125
- ANSI/NSF 61
- IAPMO/UPC

Catalog Numbers:

44-735 Polished SS grab bar, Chrome bracket, Chrome Shower Head and SS Hose

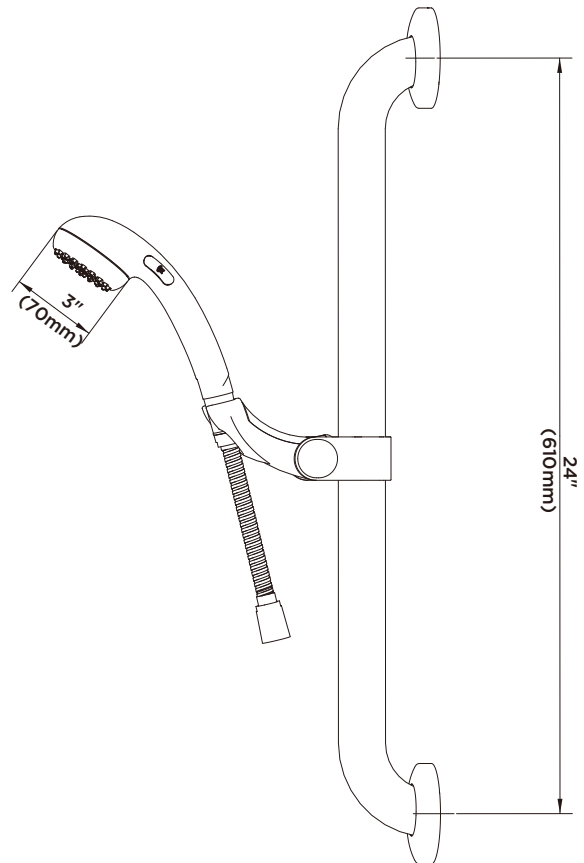
44-735-CW Polished SS grab bar, White bracket, White Shower Head and PVC Hose

Prefixes Available:

None

Suffixes Available

None



Job Name	
Date	
Model Specified	
Quantity	
Customer	
Contractor	
Architect/engineer	

Gerber Toll Free Technical Support: 888-648-6466
www.gerberonline.com