

# GAGGENAU



## Controls at the top

### Left-hinged

#### CMP 250 711

Glass front in Gaggenau Metallic  
Width 24" (60 cm)

#### Included accessories

- 1 measuring spoon
- 1 assembly screws
- 1 milk container 17 oz (0.5 liters)
- 1 water hardness test strip
- 1 connection hose for milk frother
- 1 milk tube

#### Optional accessories

##### (order as spare parts):

#### Part # 12008246

Water filter

#### Part # 00312010

Descaling liquid (1 Pack)

#### Part # 00312013

Descaling liquid (4 Pack)

#### Part # 00312096

Cleaning tablets

#### Part # 00636455

Door hinge restrictor  
(92° opening angle)

#### Part # 11005967

Stainless steel milk container

#### Part # 11015223

One-pound bean container with lid

## 200 series fully automatic espresso machine

### CMP 250

- Flush installation
- Handleless door/cushioned door closing system
- Continuous flow heater means no waiting time and constant brewing temperature
- Aroma brewing technology for a full aroma
- Single portion cleaning
- TFT touch display
- One-touch operation
- Personalization function
- Seven light settings
- Electronic fill level control for milk, water and coffee to ensure a perfect result

#### Beverage types

Ristretto/ 2x Ristretto.  
Espresso/ 2 x Espresso.  
Espresso Macchiato/ 2 x Espresso Macchiato.  
Coffee/ 2 x Coffee.  
Americano/ 2 x Americano.  
Caffe Latte/ 2 x Caffe Latte.  
Latte Macchiato/ 2 x Latte Macchiato.  
Cappuccino/ 2 x Cappuccino.  
Flat White/ 2 x Flat White.  
Milk froth/ x 2 Milk froth.  
Warm milk/ 2 x Warm milk.  
Hot water/ 2 x Hot water.

#### Operation

Door with cushioned door closing system.  
Rotary knobs and TFT touch display operation.  
Clear text display in 25 languages.  
Personalization function, up to 8 beverages can be personalized and memorized.  
4 beverage size settings from small to extra large; can be individually adjusted to match the size of the cup.  
8 coffee strength levels from very mild to extra strong.  
3 coffee temperature levels.  
10 hot water temperature levels.  
4 coffee-milk ratio levels.  
Adjustable grinding level.  
Height-adjustable coffee dispenser 2 3/4" to 5 7/8".  
Easy access to water tank, milk and coffee bean container behind the door.

#### Features

Maintenance-free grinding unit with ceramic discs.  
Separate drawer for second ground coffee type.  
Water pump with 275 psi (19 bar) pressure.  
Double grinding and brewing cycles for extra intensity for single beverage order.  
For double beverage order, two grinding and brewing cycles.  
Beverage dispenser with integrated milk system.  
Insulated stainless steel milk container for up to 17 oz. (0.5 liter).  
Integrated LED lighting.  
Removable bean container with aroma protecting lid for 1.1lbs., allows for an effortless exchange of different types of coffee beans.  
Automatic adjustments of ground coffee quantity.

Removable 2.5 quarts (2.4 liter) water tank.  
Electronic water filter exchange indicator.  
Electronic fill level control for drip tray and container for coffee residue.

#### Safety

Child lock.

#### Cleaning

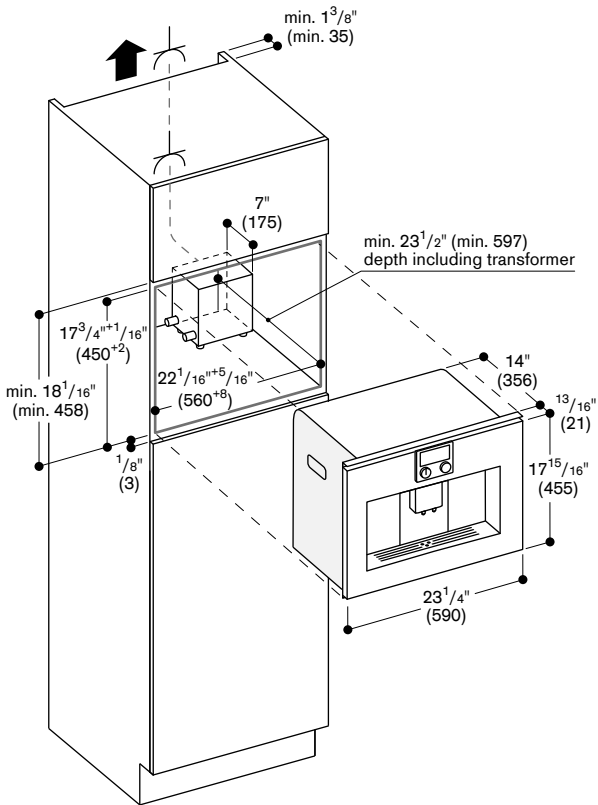
Fully automatic rinse program when machine is turned on/off.  
Automatic steam cleaning of the milk system after every beverage.  
Automatic cleaning and descaling program.  
Emptying program to prepare the appliance for holiday or transportation.  
Removable brewing unit.  
Empty-grinding function to remove coffee residues from the system when switching bean types.  
Dishwasher-safe coffee residue container and drip tray.  
Dishwasher-safe beverage dispenser.

#### Planning notes

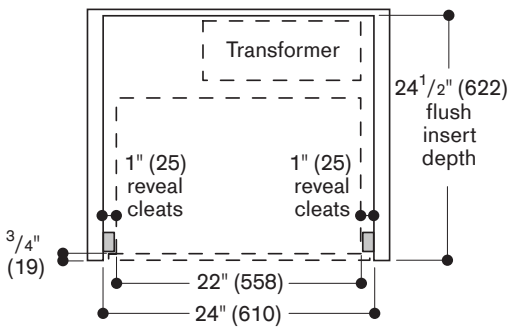
Ideal installation height 3.1 ft.– 4.8 ft. (top edge of cut-out bottom).  
Necessary lateral gap between appliance front and cabinet panel of min. 3/16".  
The door panel surface of the appliance extends 13/16" from the cabinet opening.  
When installing in a corner a side clearance is required.  
If necessary, the transformer can be placed in an adjacent cabinet.  
Note that the length of the power cable between the transformer and appliance is 23 1/2" (600 mm).  
Opening angle approximately 110° (default delivery status)—mounting distance to the wall has to be at least 13 3/4".  
Opening angle approximately 155°—mounting distance to the wall has to be at least 25 9/16".  
Opening angle approximately 92°—mounting distance to the wall has to be at least 3 13/16" (spare part # 00636455).  
Installation directly above WS 461 (5 5/8" tall) warming drawer in 23 1/4" standard cut-out.

#### Rating

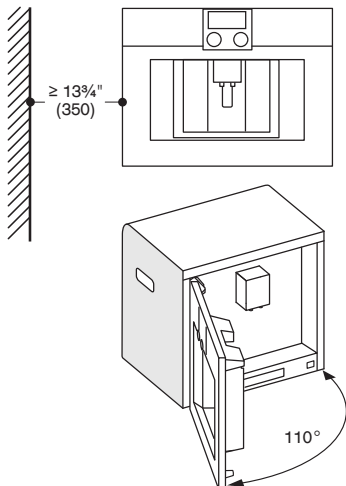
Total rating: 1,600 W.  
Total Amps: 10 A.  
120 V / 60 Hz  
Connection cable 39" with plug.



Top View



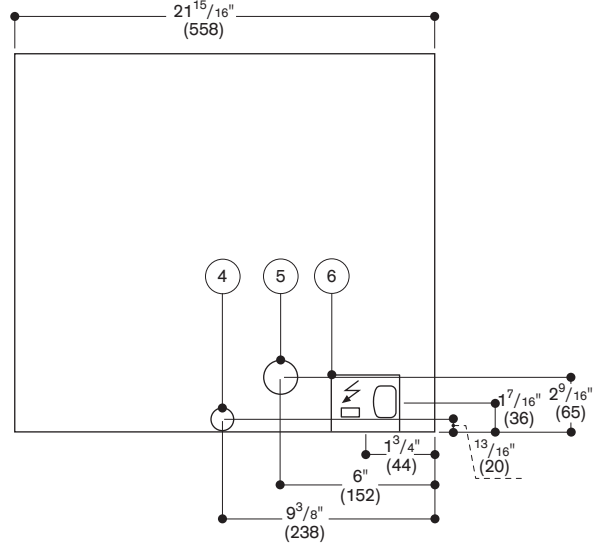
Left corner installation



If using the 92° door hinge restrictor (spare part no. 00636455), the minimum distance from the wall is only 4" (100).

Numbers indicated inside parenthesis ( ) = mm

View from rear



- (4) Water outlet
- (5) Cold-water connection
- (6) Electric terminal box

Drainage connection

