

AD854031

Air duct part

AD854031

- Maximum efficiency due to air guided fins in the duct bend.
- Suitable for flat duct and flat duct flex.

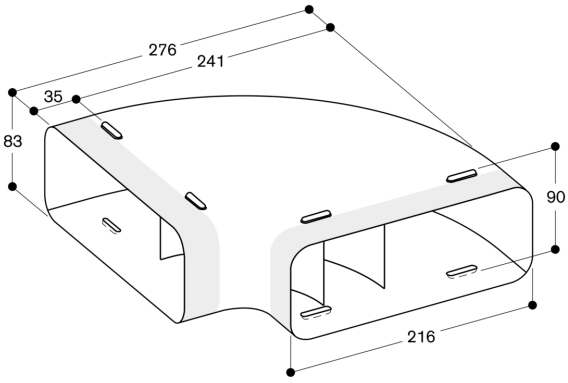
-

Features

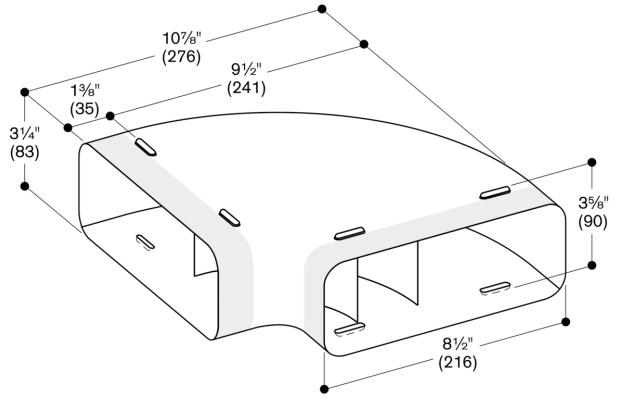
Maximum efficiency due to air guided fins in the duct bend.

Planning notes

Suitable for flat duct and flat duct flex.



Measurements in mm



Measurements in inches (mm)