

AD754049

---

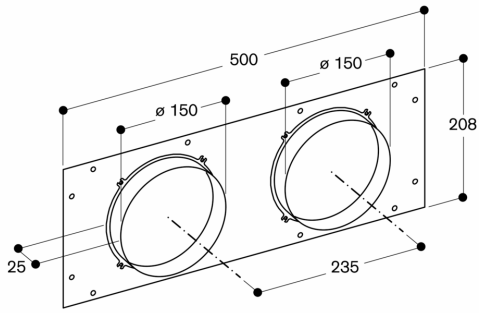
Air duct part

**AD754049**

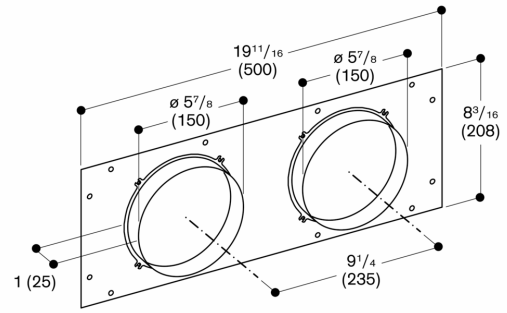
- Fitting AL 400, front or back side.
- 2 x  $\varnothing$  6" round duct air intake.
- 

**Planning notes**

Fitting AL 400, front or back side.  
2 x  $\varnothing$  6" round duct air intake.



Measurements in mm



Measurements in inches (mm)