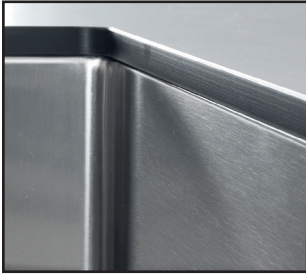


# Foster Sinks

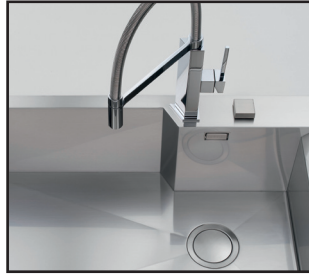
Tornado sink 1B 32 1/8" x 20 5/8" UM - **1079 960**

## HIGHLIGHTS



### Foster brushed finish

The exclusive finishes on Foster steels are the result of diligent research, the aim being to achieve the perfect combination between good looks and functionality. A distinctive feature, a true trademark that makes our products stand out for the ease with which they can be cleaned.



### Sturdy sink

The quality of Foster sinks is also in the thickness. All models use top grade stainless steel to manufacture "sturdy" sinks with an elegant design.



### Undermount

The classy and contemporary way to install a sink, here proposed in a wide range of different models and designs.



### Accessories

The concept of functionality is a key element for Foster. Each sink is matched by a series of practical and elegant accessories that transform the sink into a functional working center.



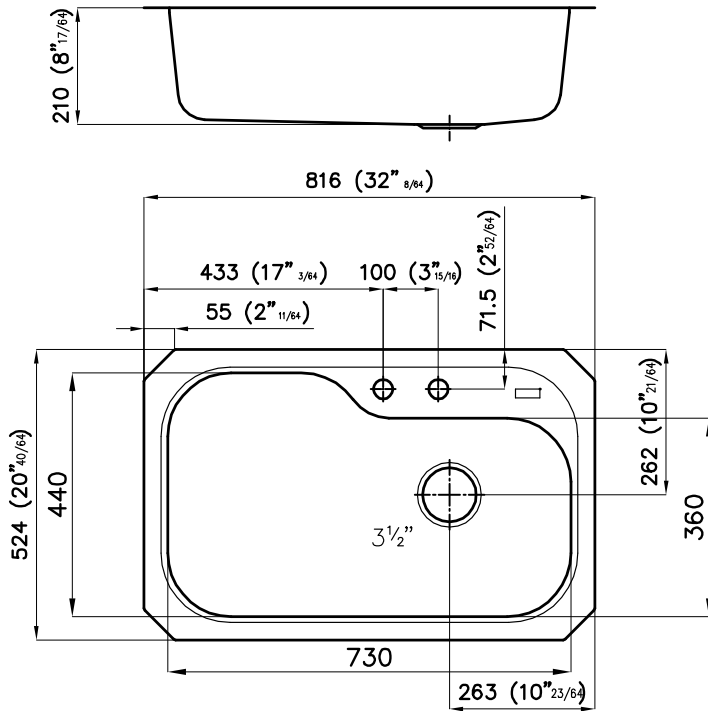
Series	Tornado
Model	Tornado sink 1B 32 1/8" x 20 5/8" UM
material	AISI 304 stainless steel
finish	Satin finish
thickness	18 Gauge (1,2 mm)
Inset type	Undermount
overall dimensions	32 1/8" x 20 5/8"
bowls dimensions	1 bowl 28 47/64" x 17 21/64"
bowls depht	8 17/64"
Cut out	see technical sheet
waste fitting type	3 1/2" - with stainless steel basket
Underside	protected with heavy duty undercoating
fixing system	undermount fixing kit (brass insert and clips)
<b>Accessories:</b>	H, U, O, Q
accessories note	To use only with N4 chopping board

Highlights photographs are for illustration purposes only and may not reflect actual product.

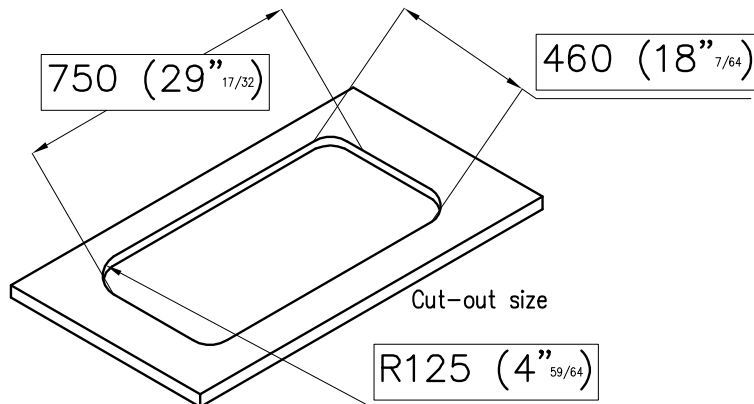
# Foster Sinks

Tornado sink 1B 32 1/8" x 20 5/8" UM - **1079 960**

## DIMENSIONS



## CUT OUT



## ACCESSORIES



**H**  
Chopping board



**U**



**O**  
stainless steel  
dishes holder



**Q**  
Grating kit, with  
ring support and  
food collection  
tray