

COOKTOP 400 SERIES 30"



CODE ID

30" GAS COOKTOP

F4GK30S1



Heavy Duty Grates



Continuous Grate Surface



Dual Burner



Stainless Steel

GAS COOKTOP

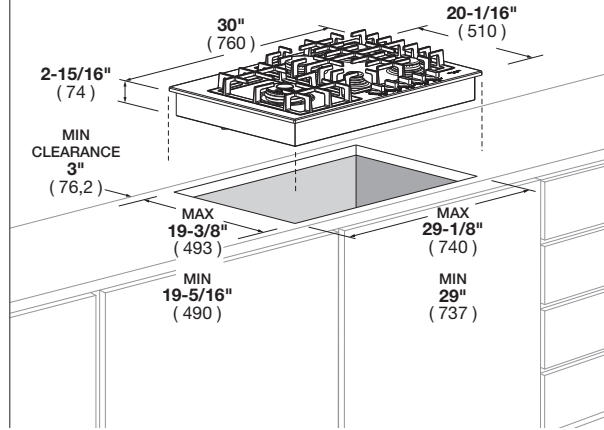
5 gas burners with 1 Dual Flame burner
Electric Re-ignition system
Flame-out Sensing
Heavy duty cast iron grates

OPTIONAL ACCESSORIES

FMWOK	Wok ring
FMSIM	Simmer plate
FMSPR	Small Pot Adapter

DISTINTO

30" GAS COOKTOP



CODE ID	F4GK30S1 - 30" GAS COOKTOP	
Series and Finish	400 Series - Stainless Steel	
CONTROL PANEL		
Control Type	Knobs	
COOKTOP		
Type	GAS (NG or LP)	
Cooking Surface	Matte Black Enamel	
GAS COOKTOP FEATURES		
Electric Re-ignition system	•	
Flame-out sensing	•	
Dual Flame Burner	•	
Simmer Plate	Optional	
Small Pot Insert (for single burners only)	Optional	
Wok Ring (for dual burner only)	Optional	
Heavy Duty Cast Iron Grates	2	
Cooking Zones	5	
Burners types	Sealed Burners (all) - Dual Flame/Simmer Burner (only Left)	
Power (Max/Min) (Left)	18000 (BTU/h) - 5275W / 700 (BTU/h) - 205W	
Power (Max/Min) (Front-L)	-	
Power (Max/Min) (Rear-L)	-	
Power (Max/Min) (Front Center)	4000 (BTU/h) - 1175W / 1000 (BTU/h) - 295W	
Power (Max/Min) (Rear Center)	12000 (BTU/h) - 3520W / 2200 (BTU/h) - 645W	
Power (Max/Min) (Front-R)	6300 (BTU/h) - 1850W / 1300 (BTU/h) - 380W	
Power (Max/Min) (Rear-R)	9000 (BTU/h) - 2640W / 1300 (BTU/h) - 380W	
DIMENSIONS/WEIGHT		
Overall dim - Width	30"	(760 mm)
Overall dim - Height	5 - 3/16"	(132 mm)
Overall dim - Depth	20 - 1/16"	(510 mm)
Cut-out - Width (min - max)	29", 29 - 1/8"	(737 mm) - (740 mm)
Cut-out - Height (min)	2 - 15/16"	(74 mm)
Cut-out - Depth (min - max)	19 - 5/16", 19 - 3/8"	(490 mm) - (493 mm)
Gross Weight	45 lbs	(20 kg)
POWER / RATINGS (120 V, 60 HZ)		
Amps	0.1A	
Max Power	49300 (BTU/h) - 14440W	
Power Cable	Nema 5 - 15P	
INSTRUCTIONS FOR USE		
Use & Care Manual / Installation Manual	English / French / Spanish	