

# DISTINTO CHIMNEY WALL HOOD 30"



CODE ID

30" CHIMNEY WALL HOOD

**F4CW30S1**



Filtering



CFM max 600



2 LED lamps



Noise Level 69 (dB)



Wall hung installation

## HOOD

Scotch brite stainless steel  
Electronic controls  
4 Speed Settings  
LED lighting  
Led 2x1,2 W - 3200 K  
Fan motor 600 CFM  
69 dB sound rating  
Baffle filter

Minimum distance:

- Electric hob	21"	- 53 cm
- Gas hob	24"	- 61 cm

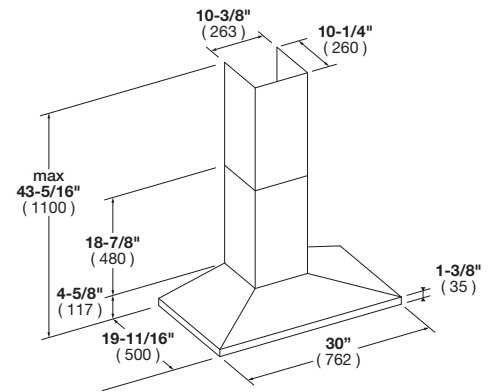
## OPTIONAL ACCESSORIES

FMFIL

Charcoal filter

# DISTINTO

30" CHIMNEY WALL HOOD



CODE ID	F4CW30S1 - 30" CHIMNEY WALL HOOD	
Series and Finish	Distinto series - Stainless Steel (AISI 430)	
<b>CONTROL PANEL</b>		
Control Type	Electronic control	
<b>PERFORMANCES</b>		
Output (CFM)	600	
Sound Level (dB)	69	
Motor	Single Motor	
<b>FEATURES</b>		
Filter Style	Pro Baffle	
Lighting	2 x 1.2W LED	
Duct diameter	5-9/10"	(150 mm)
<b>DIMENSIONS/WEIGHT</b>		
Overall dim - Width	30"	(762 mm)
Overall dim - Height	43-5/16"	(1100 mm)
Overall dim - Depth	19-11/16"	(500 mm)
Gross Weight	45 lbs	(20.4 kg)
<b>POWER / RATINGS (120 V, 60 HZ)</b>		
Watts / Ampere	430W - 2.8A	
Power Cable	Standard	
<b>INSTRUCTIONS FOR USE</b>		
Use & Care Manual / Installation Manual	English / French / Spanish	