

FLEXA

INTEGRATED



### STREAMLINED LOOK, SEAMLESS OPERATION

The integrated Flexa slide out hood is ideal for bringing a streamlined, minimalistic look to your kitchen. Its sleek stainless steel pull-out visor slides easily into place when in use, then neatly tucks away when not in use. For a customized look, the front strip can be replaced with material that matches the kitchen cabinetry.

### AVAILABLE MODELS

Model #	FUN #	Size / Color	Motor Class (CFM)
<b>FLEX24SS300</b>	315.0651.890	24" Stainless Steel	300 CFM
<b>FLEX30SS300</b>	315.0651.931	30" Stainless Steel	300 CFM



STAINLESS STEEL PULL-OUT VISOR SLIDES IN, NEATLY TUCKING THE HOOD AWAY. FOR A **CUSTOMIZED** LOOK, THE FRONT STRIP CAN BE REPLACED WITH MATERIAL TO MATCH KITCHEN.

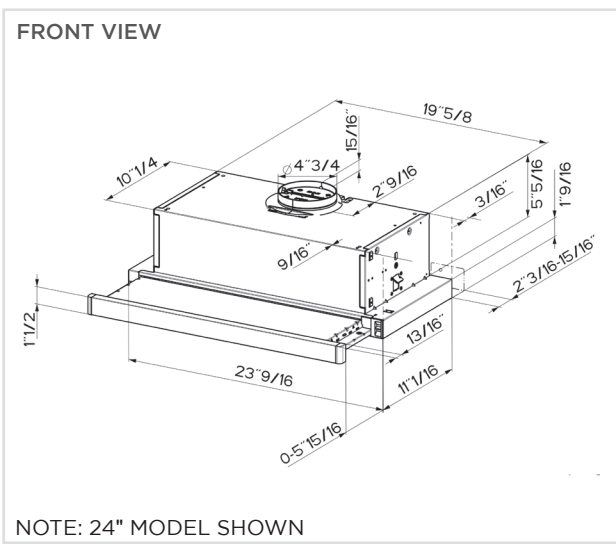




MODEL	FUN #	SIZE/MATERIAL	MOTOR CLASS
<b>FLEX24SS300</b>	315.0651.890	24" Stainless Steel	300 CFM
<b>FLEX30SS300</b>	315.0651.931	30" Stainless Steel	300 CFM

FEATURES		PERFORMANCE		ACCESSORIES
<b>Dimensions</b>		<b>Motor</b>		<b>FILTER7</b>
Cabinet Cut Out		No. of Fan Speeds	3	Charcoal Filter Kit
24"	19 3/4" W x 10 3/8" D	Motor Class	300	
30"	23 1/16" W x 10 3/8" D			
<b>Ducting</b>		Auto-On/Off		Fan and Lights Activate When Pulled-out and Pushed-In
Type	Ducted/Ductless With FILTER7	<b>Display</b>		
Duct Size	5" RoundTop Vent	Controls	Slider	
<b>Lighting</b>		<b>Other</b>		
Type	Energy-Efficient LED	ADA Compliant	With Separate Wall Switch	
# of Bulbs	Two - 4 Watt - 1 Level	Power Cord Included	Yes	
<b>Grease Filters</b>				
Filter Type	Mesh			
Dishwasher Safe	Yes			
<b>Easy Snap Clip Installation</b>				
	Clips Included			

## DIMENSIONAL DRAWINGS



Rev2 1122