

BACKSPLASH

ACCESSORY

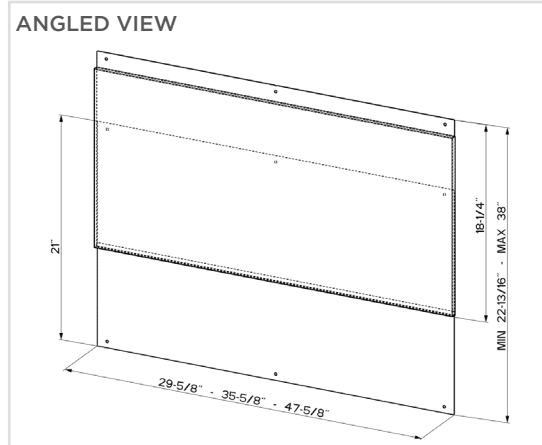
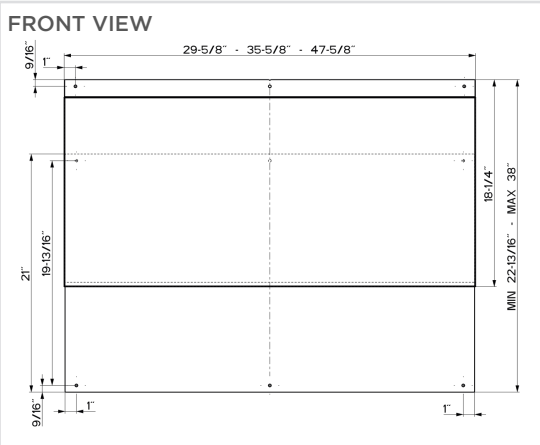


FABER'S STAINLESS STEEL BACKSPLASH ACCESSORY

The telescoping backsplash design has the versatility to adjust to different mounting heights. The durable, stainless steel finish protects the wall behind the cooking surface and is easy to clean. The pre-drilled holes allow for effortless installation.

Model #	Size / Color	Dimensions
BACK30	Stainless Steel Backsplash 30"	29 5/8" W x MIN 22 13/16" - MAX 38" H
BACK36	Stainless Steel Backsplash 36"	35 5/8" W x MIN 22 13/16" - MAX 38" H
BACK48	Stainless Steel Backsplash 48"	47 5/8" W x MIN 22 13/16" - MAX 38" H

Important - Check for compatibility with Faber hoods in individual spec sheets or install manuals



Rev1 1122

800 Aviation Parkway, Smyrna, TN 37167 (508) 358-5353 | www.faberonline.com

FABER
FRANKE'S AIR EXPERT