

ELICA PRO SERIES TRENTO



HUSH SYSTEM



LED REPLACEABLE



SEAMLESS LOOK



GREASE COLLECTORS



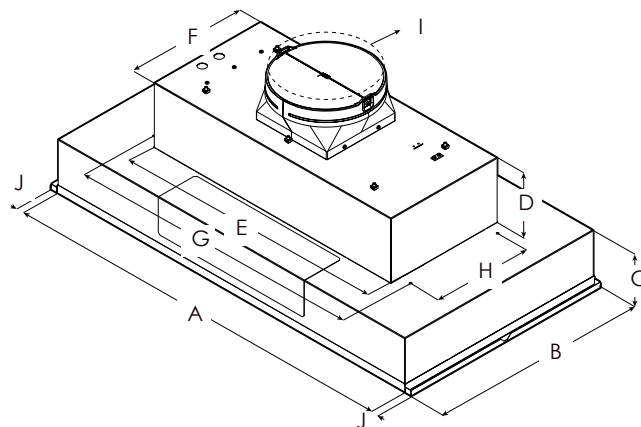
PERFORMANCE



HEAT GUARD

ELICA'S EXCLUSIVE PLUS FEATURES

Trento provides professional grade performance, while being discreetly mounted inside the cabinetry. It is available with a 600 CFM or 1200 CFM blower for extraordinary ventilating power. Plus the All-In-One design avoids the need to purchase a stainless liner. Hidden metallic in/out knob controls operate the 4-speed blower and LED lighting. A cleaner kitchen is ensured by Elica's patented angled baffle filters, which capture a higher percentage of contaminants and hold larger volumes of grease than traditional baffle filters.



	ETR634SS ETR134S1
A	34 1/2" (87.6 cm)
B	18" (45.7 cm)
C	5 7/16" (13.8 cm)
D	6 1/2" (16.4 cm)
E	27 9/16" (70 cm)
F	12 7/16" (31.6 cm)
G	29 13/16" (75.7 cm)
H	10 1/8" (25.7 cm)
I	10" (25.4 cm)
J	3/4" (1.9 cm)



$\geq 24"$ $\geq 30"$

MOUNTING
HEIGHT
RANGE

ELICA PRO SERIES TRENTO



SPECIFICATIONS

	34" Unit (600 CFM)	34" Unit (1200 CFM)
Model:	ETR634SS	ETR134S1
Dimensions:	34 1/2"W x 18"D x 11 1/2"H	34 1/2"W x 18"D x 11 1/2"H
Blower Type(internal):	600 CFM (4-speed)	1200 CFM (4-speed)
Blower Performance:		
Speed 1	90 CFM	380 CFM
Speed 2	330 CFM	660 CFM
Speed 3	490 CFM	950 CFM
Speed 4	600 CFM	1200 CFM
Noise (sones): Working Speed	Min:2 , Max:9.5	Min:2.05, Max:7.5
Finish:	Stainless Steel	
Controls:	Fully retractable rotating knobs with blue backlighting	
Illumination: (replaceable lamps 1 intensity)	2 LED, 7.5 W	
Filter Type:	Dishwasher-Safe, Professional Stainless Steel	
Angled Baffle Filters:	2	
Duct Transition:	10" Round with BackDraft Damper (top only)	
Installation Type:	Ducted Installation Only	
Electrical:	120V - 60 Hz	
CONSUMABLE PARTS:		
Replacement Grease Filter (1):	GRI0140692A	
Replacement Light Bulb (1):	LMP0131098A	LMP0131098

*Consumable parts are sold in units of one (1). Order accordingly

*The product images shown are for illustration purposes only and may not be an exact representation of the product.

PLUS FEATURES



HUSH SYSTEM - An exclusive sound deadening technology that effectively reduces sound levels by over 35%



LED CONSUMER REPLACEABLE BULB - High quality LED lighting usually requires a skilled technician to replace lamps. Avoid this expense with Elica's new LED lamps that enable homeowners to replace in seconds



SEAMLESS CRAFTSMANSHIP - Heavy gauge stainless steel "Seamless" construction that delivers refined elegance.



STAINLESS STEEL BAFFLE FILTERS WITH GREASE COLLECTORS - Designed for high airflow cooking, the "S" shape design traps high volumes of grease



PROFESSIONAL PERFORMANCE - Special features and high performances for models with aspiration capacity between 600 and 1200 CFM's



HEAT GUARD - Senses extreme temperatures (>158 degrees) and automatically adjusts the blower speed to HIGH