



3X LAYER MESH FILTER



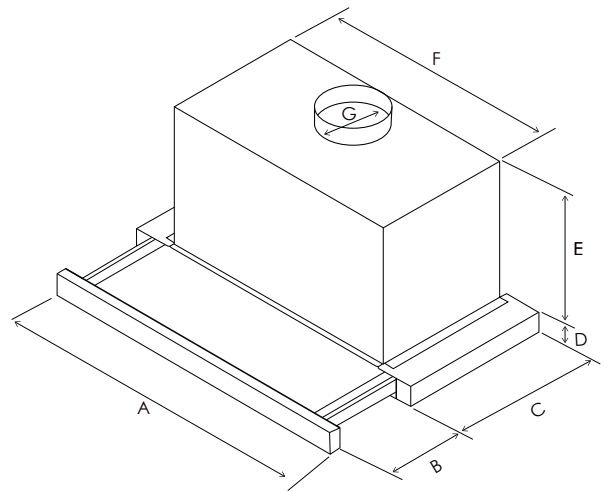
LED LIGHT

ELICA'S EXCLUSIVE PLUS FEATURES

The ultra slim design of TT hides quietly within cabinetry and extends less than 2" below the edge.

When called to action, the horizontal visor effortlessly pulls out to provide added air capture during cooking. TT design is ideal for smaller kitchens or where under-cabinet space is limited. The 400 CFM blower provides more than adequate power for everyday cooking. The 3 speed blower and alhogen lighting are operated with modern electronic touch controls, which are out of sight and behind the visor when idle. Clean up is literally a snap with dishwasher safe anodized aluminum mesh filters.

Designed for ducted or recirculating installations.



	ETT424SS	ETT430SS
A	23" ⁹ / ₁₆ " (60.9cm)	30" (76.2 cm)
B	6 ¹ / ₈ " (15.2 cm)	
C	11" (27.9 cm)	
D	1 ⁹ / ₁₆ " (3.9 cm)	
E	10 ¹ / ₄ " (26 cm)	
F	18 ¹ / ₈ " (46 cm)	
G	6" (15.2 cm)	

SPECIFICATIONS



	24" Unit	30" Unit
Model:	ETT424S1	ETT430SS
Dimensions:	23 9/16"W x 17 1/18"D x 1 9/16"H	30 9/16"W x 17 1/18"D x 1 9/16"H
Blower Type(internal):	400 CFM(3-speed)	
Blower Performance:		
Speed 1	160 CFM	
Speed 2	280 CFM	
Speed 3	400 CFM	
Noise (sones):	Min:1.5, Max:5.9	
Working Speed		
Finish:	Stainless Steel	
Controls:	Hidden Electronic Touch Controls	
Illumination:	2, 20 W Halogen Lamp (Bulb included)	2 LED, 2.1 watts
Filter Type:	Dishwasher-Safe, Anodized Aluminum Mesh Filter	
Number of filters:	1	1
Duct Transition:	6" Round, (Non return valve included)	
Installation Type:	Ducted or Recirculating Installation	
Electrical:	120 V - 60 Hz 280 Wattage	
KITS:		
Recirculating Kit	F00539	xxx
CFM Reduction Kit	KIT02736	xxx
CONSUMABLE PARTS:		
Replacement Light Bulb (1):	XXX	

*Consumable parts are sold in units of one (1). Order accordingly

PLUS FEATURES



3X LAYER GREASE FILTER - Elica aluminum mesh filters are a step above competition, featuring triple layered, anodized aluminum that is woven into a highly dense mesh. The thick mesh captures more grease, anodization helps resist staining and provides durability to repeated cleanings in the dishwasher.



LED LIGHT - LED lighting is undoubtedly the smartest solution in terms of energy saving. Expected life time of over 20,000 hours, represents the most remarkable advantage of LED light bulbs.