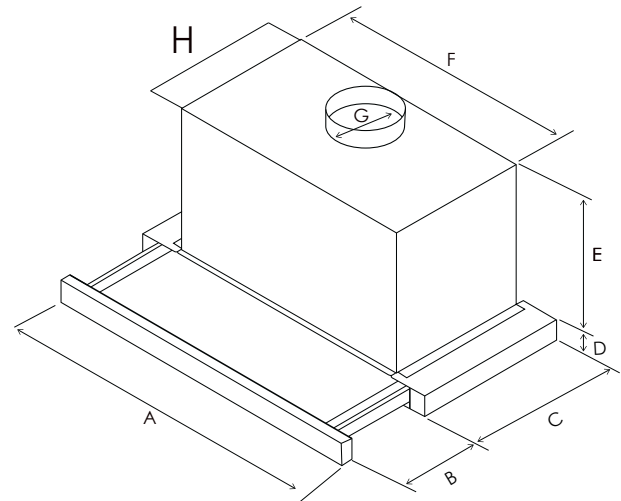




The ultra slim design of TT hides quietly within cabinetry and extends less than 2" below the edge. When called to action, the horizontal visor effortlessly pulls out to provide added air capture during cooking. TT design is ideal for smaller kitchens or where under-cabinet space is limited. The 400 CFM blower provides more than adequate power for everyday cooking. The 3 speed blower and LED lighting are operated with modern electronic push button controls, which are out of sight and behind the visor when idle.



	ETT424S1	ETT430SS	ETT436SS
A	23 1/2"	30"	35 1/3"
B	6 1/9"		
C	11"		
D	1 4/7"		
E	10 2/7"		
F	18 1/9"	24 1/2"	30"
G	6"		
H	9 3/8"		

SPECIFICATIONS



	24" UNIT	30" UNIT	36" UNIT
Model:	ETT424S1	ETT430SS	ETT430SS
Dimensions:	24"W x 17 1/9" D x 11 6/7"H	30" 17 1/9" D x 11 6/7"H	36" 17 1/9" D x 11 6/7"H
Blower type (internal):	S40am		
Blower performance:			
Speed 1	110 CFM		
Speed 2	190 CFM		
Speed 3	290 CFM		
Boost	400 CFM		
Noise (sones): At working speed	Min: 0.67, Max: 7.46		
Finish:	Stainless Steel		
Controls:	Hidden electronic push controls		
Illumination:	2 LED , 2.1 W		
Filter type:	1 Anodized Dishwasher Safe Aluminum Mesh Filters		
Duct transition:	Round 6" Top Discharge		
Installation type:	Available in recirculating version		
Electrical:	120 V 60 Hz PLUG TYPE B	120 V 60 Hz PLUG TYPE B	120 V 60 Hz PLUG TYPE B
KITS:			
Recirculating Kit:	CFC0093572A (FCB0023361)		
CFM Reduction Kit:	KIT02748		
WARRANTY:	2 YEARS PARTS AND LABOR, EARN A 3RD YEAR OF FULL FACTORY WARRANTY REGISTERING YOUR PRODUCT ON ELICA.COM		