

# ARIA



UNDER-CABINET  
TECHNE ASPIRE

## Dimensions

30"W x 20"D x 4 3/4"H  
36"W x 20"D x 4 3/4"H

## Models

EAI430SS      ARIA 30" Stainless  
EAI436SS      ARIA 36" Stainless

## Special features



LED lighting



With a compact 4 3/4" height, Aria is an ideal choice where under-cabinet space is limited. Its upgraded 430 CFM internal blower provides sufficient ventilating power for most kitchens. Aria also offers the luxury and convenience of LED dimmable lighting with 2 microhole filters, multi-function touch controls. Available in 30" or 36" width, Aria is designed for standard ducted installation and can also be used as a recirculating system using the kit available as an accessory.

## FEATURES

<b>Size (in) &amp; Type Finish</b>	30" or 36" Wide Under-Cabinet Stainless Steel
<b>Controls</b>	Multi-function touch controls.
<b>Illumination</b>	2 Dimmable LED
<b>Installation Type</b>	Ducted or Recirculating Installation Recirculating Kit Sold Separately
<b>Blower Type</b>	430 CFM, 4-Speed Internal
<b>Blower Performance</b>	Speed 1, 160 CFM, 1.4 Sones Speed 2, 240 CFM, 3.1 Sones Speed 3, 310 CFM, 4.9 Sones Speed 4, 430 CFM, 7.1 Sones
<b>Filter Type</b>	2, Dishwasher-Safe, Microhole filters
<b>Duct Transition</b>	3 1/4" x 10" with Back Draft Damper (top or rear), or 7" Round (top) sold separately
<b>Electrical</b>	120V-60Hz 445 Watts at 3.6 Amps
<b>Warranty</b>	2 Year Parts & Labor, In-Home Service

## ACCESSORIES



### Optional Recirculating Kit for 30" and 36" Units

CODE: KITO2178 / MODEL: EBLRCK02 (30")  
CODE: KITO2179 / MODEL: EBLRCK03 (36")



### Optional Stainless Steel Mesh Grease Filter

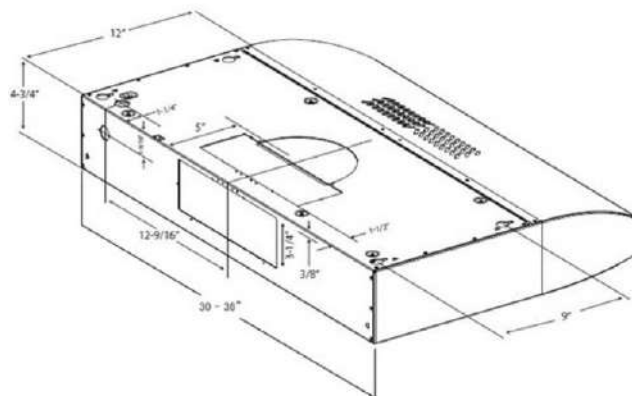
CODE: KITO2591 / MODEL: EBLGFK30 (30")  
CODE: KITO2592 / MODEL: EBLGFK36 (36")



### Optional Backdraft Damper, 7" Round

CODE: KITO2723  
MODEL: EXXNRVRD

## LINE DRAWING



## CONSUMABLE PARTS

### Replacement Grease Filter (1)

CODE: GF04BA (30")  
CODE: GF04BB (36")

### Replacement Carbon Filter (1)

CODE: TM01FA (30")  
CODE: TM01FB (36")

### Replacement Light Bulb (1)

CODE: 2006BH

Consumable parts are sold in units of one (1). Order accordingly.

## SPECIAL FEATURES



### Elica CRS:

CFM Reduction System (CRS), is an exclusive feature to Elica hoods, which enables the installer to reduce the maximum blower CFM, to meet local code requirements.