

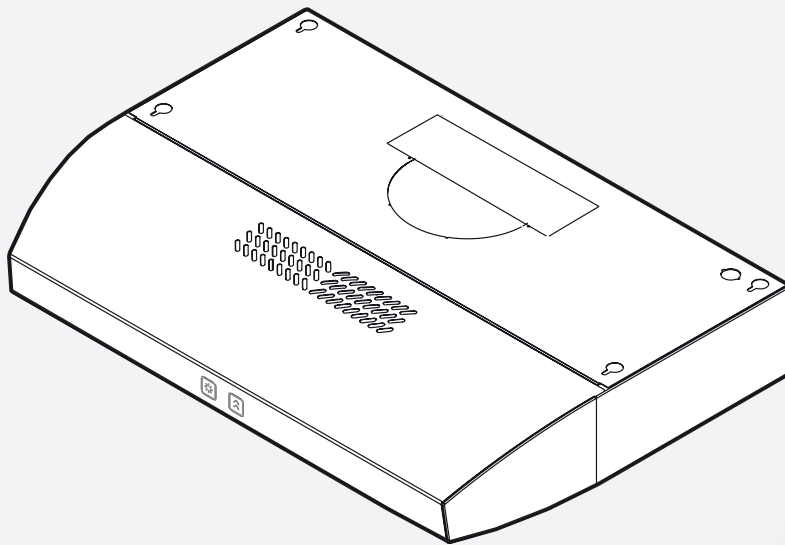
# Use, Care, and Installation Guide

---

Guide  
d'utilisation,  
d'entretien et  
d'installation

---

Guía de  
instalación, uso y  
mantenimiento



READ AND SAVE THESE  
INSTRUCTIONS

---

LISEZ CES  
INSTRUCTIONS ET  
CONSERVEZ-LES

---

LEA Y CONSERVE  
ESTAS INSTRUCCIONES

**Models:** | EBL430S2  
| EBL436S2

**Contents**

Important Safety Notice.....3  
Electrical & Installation Requirements .....4  
Product Dimentions .....4  
List of Materials.....5  
    Parts no supplied.....5  
Ducting Options .....5  
    Ductless (Recirculating) .....5  
    Horizontal Discharge .....5  
    Vertical Discharge.....6  
Installation- Ducting Version .....6  
Electrical Connection .....9  
Complete Installation.....9  
Description of the Hood.....10  
    Control.....10  
CFM Reduction System .....10  
Maintenance..... 11

**APPROVED FOR RESIDENTIAL APPLIANCES  
FOR RESIDENTIAL USE ONLY  
READ AND SAVE THESE INSTRUCTIONS**

**PLEASE READ ENTIRE INSTRUCTIONS BEFORE PROCEEDING.  
INSTALLATION MUST COMPLY WITH ALL LOCAL CODES.**

**IMPORTANT:** Save these Instructions for the Local Electrical Inspector’s use.

**INSTALLER:** Please leave these Instructions with this unit for the owner.

**OWNER:** Please retain these instructions for future reference.

**Safety Warning:** Turn off power circuit at service panel and lock out panel, before wiring this appliance.

**Requirement:** 120 V- , 60 Hz. 15 or 20 A Branch Circuit.

**CAUTION**

FOR GENERAL VENTILATING USE ONLY. DO NOT USE TO EXHAUST HAZARDOUS OR EXPLOSIVE MATERIALS AND VAPOURS.

WARNING: TO REDUCE THE RISK OF FIRE, ELECTRIC SHOCK, OR INJURY TO PERSONS, OBSERVE THE FOLLOWING:

- a) Use this unit only in the manner intended by the manufacturer. If you have questions, contact the manufacturer.
- b) Before servicing or cleaning unit, switch power off at service panel and lock the service disconnecting means to prevent power from being switched on accidentally. When the service disconnecting means cannot be locked, securely fasten a prominent warning device, such as a tag, to the service panel.

**WARNING:** TO REDUCE THE RISK OF FIRE, ELECTRIC SHOCK, OR INJURY TO PERSONS, OBSERVE THE FOLLOWING:

- a) Installation work and electrical wiring must be done by qualified person(s) in accordance with all applicable codes and standards, including fire-rated construction.
- b) Sufficient air is needed for proper combustion and exhausting of gases through the flue (chimney) of fuel burning equipment to prevent back drafting. Follow the heating equipment manufacturer's guideline and safety standards such as those published by the National Fire Protection Association (NFPA), and the American Society for Heating, Refrigeration and Air Conditioning Engineers (ASHRAE), and the local code authorities.
- c) When cutting or drilling into wall or ceiling, do not damage electrical wiring and other hidden utilities.
- d) Ducted fans must always be vented to the outdoors.

**CAUTION:** To reduce risk of fire and to properly exhaust air, be sure to duct air outside - do not vent exhaust air into spaces within walls or ceilings, attics or into crawl spaces, or garages.

**WARNING:** To reduce the risk of fire or electrical shock, do not use this fan with any solid-state speed control device.

**WARNING:** TO REDUCE THE RISK OF FIRE, USE ONLY METAL DUCTWORK

**NOTE:** Before any cleaning or maintenance operation, disconnect hood from the mains by removing the plug or disconnecting the mains electrical supply.

**WARNING:** TO REDUCE THE RISK OF A RANGE TOP GREASE FIRE:

a) Never leave surface units unattended at high settings. Boilovers cause smoking and greasy spillovers that may ignite. Heat oils slowly on low or medium settings.

b) Always turn hood ON when cooking at high heat or when flambeing food (i.e. Crepes Suzette, Cherries Jubilee, Peppercorn Beef Flambe').

c) Clean ventilating fans frequently. Grease should not be allowed to accumulate on fan or filter.

d) Use proper pan size. Always use cookware appropriate for the size of the surface element.

**NOTE:** Always wear work gloves for all installation and maintenance operations

**WARNING:** To Reduce The Risk Of Fire And Electric Shock, Install This Rangehood Only With Remote Blower Models Rated Maximum (Current and/or Horsepower) Or Integral Blowers Manufactured by (Manufacturer's Name), Model(s) (Name of Appliance).  
Note: a Maximum recommended remote blower rating

**WARNING:** TO REDUCE THE RISK OF INJURY TO PERSONS IN THE EVENT OF A RANGE TOP GREASE FIRE, OBSERVE THE FOLLOWING:<sup>a</sup>

a) SMOTHER FLAMES with a close-fitting lid, cookie sheet, or metal tray, then turn off the burner. BE CAREFUL TO PREVENT BURNS. If the flames do not go out immediately, EVACUATE AND CALL THE FIRE DEPARTMENT.

b) NEVER PICK UP A FLAMING PAN – You may be burned.

c) DO NOT USE WATER, including wet dishcloths or towels – a violent steam explosion will result.

d) Use an extinguisher ONLY if:

- You know you have a Class ABC extinguisher, and you already know how to operate it.
- The fire is small and contained in the area where it started.
- The fire department is being called.
- You can fight the fire with your back to an exit.

<sup>a</sup>Based on "Kitchen Fire Safety Tips" published by NFPA.

**NOTE:** This appliance is not intended for use by persons (including children) with reduced physical, sensory or mental capabilities, or lack of experience and knowledge, unless they have been given supervision or instruction concerning use of the appliance by a person responsible for their safety.

**NOTE:** Children should be supervised to ensure that they do not play with the appliance

**IMPORTANT**

Observe all governing codes and ordinances.

It is the customer's responsibility:

- To contact a qualified electrical installer.
- To assure that the electrical installation is adequate and in conformance with National Electrical Code, ANSI/NFPA 70 — latest edition\*, or CSA Standards C22.1-94, Canadian Electrical Code, Part 1 and C22.2 No.0-M91-latest edition\*\* and all local codes and ordinances.
- If codes permit and a separate ground wire is used, it is recommended that a qualified electrician determine that the ground path is adequate.
- Do not ground to a gas pipe.
- Check with a qualified electrician if you are not sure range hood is properly grounded.
- Do not have a fuse in the neutral or ground circuit.

**IMPORTANT**

- Save Installation Instructions for electrical inspector's use.
- The range hood must be connected with copper wire only.
- The range hood should be connected directly to the fused disconnect (Or circuit breaker) box through metal electrical conduit.
- Wire sizes must conform to the requirements of the National Electrical Code ANSI/NFPA 70 — latest edition\*, or CSA Standards C22.1-94, Canadian Electrical Code Part 1 and C22.2 No. 0-M91 - latest edition\*\* and all local codes and ordinances.
- A U.L.- or C.S.A.-listed conduit connector must be provided at each end of the power supply conduit (at the range hood and at the junction box).

Copies of the standards listed may be obtained from:  
 \* National Fire Protection Association Batterymarch Park Quincy, Massachusetts 02269  
 \*\* CSA International 8501 East Pleasant Valley Road Cleveland, Ohio 44131-5575

**BEFORE INSTALLING THE HOOD**

- 1 For the most efficient air flow exhaust, use a straight run or as few elbows as possible.  
 CAUTION: Vent unit to outside of building, only.
- 2 At least two people are necessary for installation.
- 3 Fittings material is provided to secure the hood to most types of walls/ceilings, consult a Qualified Installer, check if they perfectly fit with your cabinet/wall.
- 4 Do not use flex ducting.
- 5 COLD WEATHER installations should have an additional backdraft damper installed to minimize backward cold air flow and a nonmetallic thermal break to minimize conduction of outside temperatures as part of the ductwork. The damper should be on the cold air side of the thermal break.  
 The break should be as close as possible to where the ducting enters the heated portion of the house.
- 6 Make up air: Local building codes may require the use of Make-Up Air Systems when using Ducted Ventilation Systems greater than specified CFM of air movement. The specified CFM varies from locale to locale. Consult your HVAC professional for specific requirements in your area.

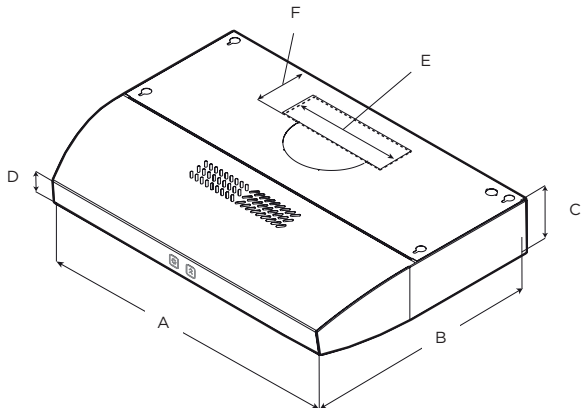
If provided with an electrical plug, connect the hood to a receptacle that complies with current regulations and placed in an accessible position. Where an electrical plug is not provided (direct connection to electrical network) or the plug will not be in an accessible position after installation, place an approved bipolar switch in accessible position that provides full disconnection under overvoltage category III conditions, in accordance with local wiring rules

Use only with rangehood cord-connection kits that have been investigated and found acceptable for use with this model rangehood.

a) Do not operate any fan with a damaged cord or plug. Discard fan or return to an authorized service facility for examination and/or repair.

b) Do not run cord under carpeting. Do not cover cord with throw rugs, runners, or similar coverings. Do not route cord under furniture or appliances. Arrange cord away from traffic area and where it will not be tripped over.

Product Dimentions



	Models	
	EBL430S2	EBL436S2
<b>A</b>	30" (76.2 cm)	36" (91.4 cm)
<b>B</b>	20" (50.8 cm)	
<b>C</b>	4 <sup>7</sup> / <sub>16</sub> " (12 cm)	
<b>D</b>	2 <sup>3</sup> / <sub>8</sub> " (5.7 cm)	
<b>E</b>	3 <sup>3</sup> / <sub>4</sub> " x 10" (8.3 x 25.4 cm)	
<b>F</b>	5 <sup>1</sup> / <sub>16</sub> " (13 cm)	

## List of Materials

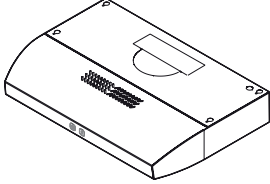

Removing the packaging.

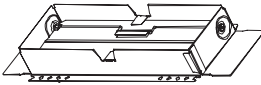

### ⚠ CAUTION

Remove carton carefully, Wear gloves to protect against sharp edges.

### ⚠ WARNING

Remove the protective film covering the product before putting into operation.

Supplied Part	Pieces
 <p>Hood assembly and LED lamps already installed</p>	1
 <p>4.5 x 13 mm</p>	1

Supplied Part	Pieces
 <p>Rectangular transition 3 1/4" x 10" (8.3 x 25.4 cm) with back draft dampers</p>	4
 <p>3.5 x 6.5 mm</p>	3

### Parts no supplied

#### Tools/Materials required

- Drill with 1/4" (3.0 cm) drill bit and 1/8" (3.0 mm) drill bit for pilot holes
- Pencil
- Wire stripper or utility knife
- Tape measure or ruler
- Caulking gun and weatherproof caulking compound
- Saber or keyhole saw
- Metal snips
- Screwdrivers:
  - Phillips
  - Flat-blade

#### Optional accessories and consumable parts

KIT	# Part	
	EBL430S2	EBL436S2
<b>Recirculating Kit</b>	KIT02178	KIT02179
<b>Valve (damper) Kit</b>	KIT02723	
<b>Grease Filters Kit</b>	GFO4BE	GFO4BF
<b>Make up Air Kit</b>	KIT02737B	

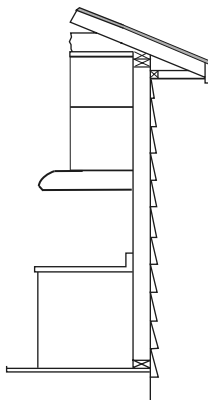
## Ducting Options

Closely follow the instructions set out in this manual. All responsibility, for any eventual inconveniences, damages or fires caused by not complying with the instructions in this manual, is declined.

### Ductless (Recirculating)

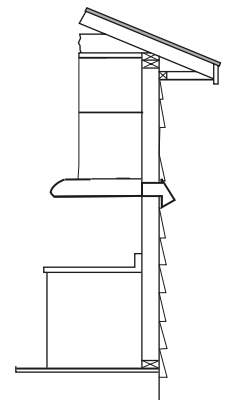
#### NOTE:

In cases where it should not be possible to discharge cooking fumes and vapour to the outside, purchase: The Recirculating Kit.

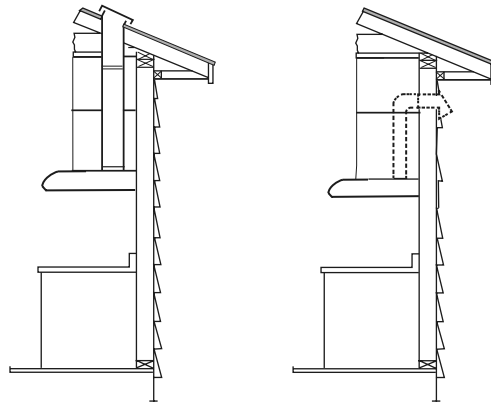


### Horizontal Discharge

Use a rectangular transition 3 1/4" x 10" (8.3 x 25.4 cm) for discharge of fumes to the outside.



Use a 3¼" x 10" (8.3 x 25.4 cm) rectangular transition or a 7" (17.8 cm) round transition for discharge of fumes to the outside.



**Preparation**

Do not cut a joist or stud unless absolutely necessary. If a joist or stud must be cut, then a supporting frame must be constructed.

Fittings material is provided to secure the hood to most types of walls/ceilings.

However, a qualified technician must verify suitability of the materials in accordance with the type of wall/ceiling.

Before making cutouts, make sure there is proper clearance within the ceiling or wall for exhaust vent.

**CAUTION**

For gas cooktop & range installations mount the hood so the bottom is at least 30" (76.2 cm) above the cooking surface.

For electric/induction cooktop & range installations mount the hood so the bottom is at least 25" (65 cm) above the cooking surface.

There is no maximum mounting height, however, we recommend mounting the hood no greater than 36" (91.4 cm) above the cooking surface. For every inch (2.54 cm) above 36" (91.4 cm), fume and moisture capture efficiency diminishes at an increasing rate and may not deliver an acceptable level of ventilating performance.

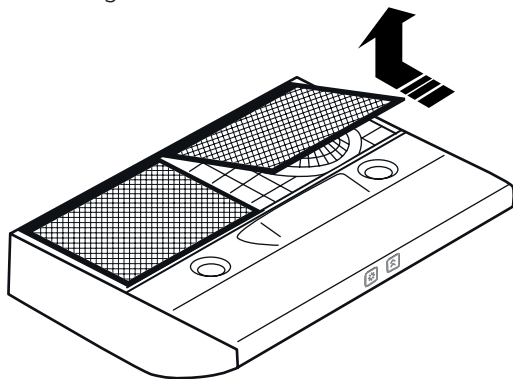
This hood is intended for household use.

PLEASE READ THE INSTALLATION MANUAL FOR SPECIFIC APPLICATION. Check your ceiling height and hood height before selecting your hood.

Installation- Ducting Version

After having chosen the vent option, proceed as follows:

- 1 Remove the grease filters.

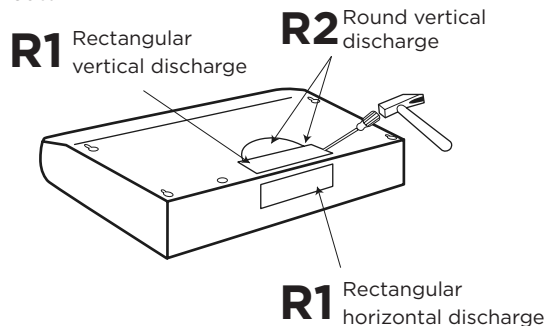


**ATTENTION**

If it is intended to use the hood in the recirculating version do not remove any duct knockouts and order the necessary charcoal filter from your supplier (see Optional accessories and consumable parts section).

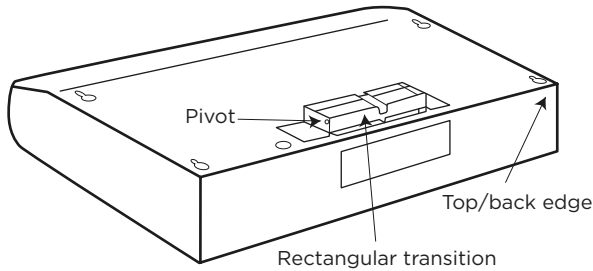
**R1** = Remove only one of the rectangular duct knockouts according with the discharge direction selected.

**R2** = Remove semicircular and rectangular duct top knockouts.



**For rectangular ducted discharge installations only**

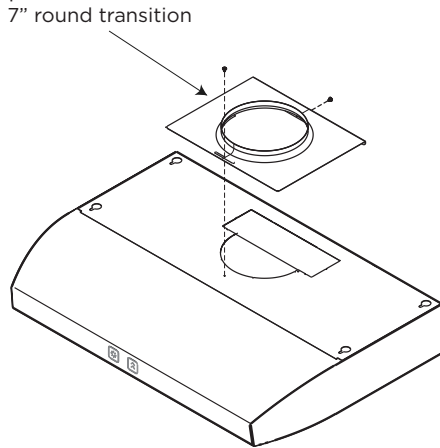
- 1 Remove wrap from transition.
- 2 Attach rectangular transition over knockout opening with 3 - 3.5 x 6.5 mm screws.
- 3 Make sure damper pivot is nearest to top/back edge of hood.



**For round ducted discharge installations**

Install 7" (17.8 cm) transition with the screws available on the kit (purchase separately, see Optional accessories and consumable parts section).

**NOTE:** The round transition can be installed up to 1 inch on either side of the hood center to accommodate off-center ductwork. In extreme offcenter installations, one end of the duct connector may need to be trimmed to clear the electrical cable clamp.



**Mark and Cut Vent Opening**

Use the hood as a template and mark the locations on the cabinet for the keyhole screw slots. Select the vent option that your installation will require and proceed to that section

**For a non-vented (recirculating) installation**

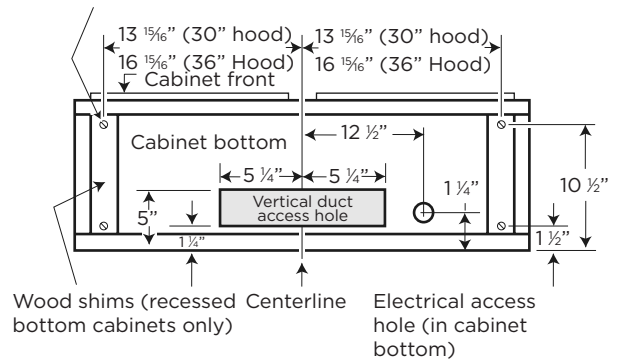
No additional steps needed.

**Outside top exhaust**

(Vertical duct- 3 1/4"x 10" rectangular transition)

- 1 Use the diagram or the hood as a template and mark the locations on the cabinet for ductwork and electrical wiring and keyhole screw slots.

Hood mounting screws (4)



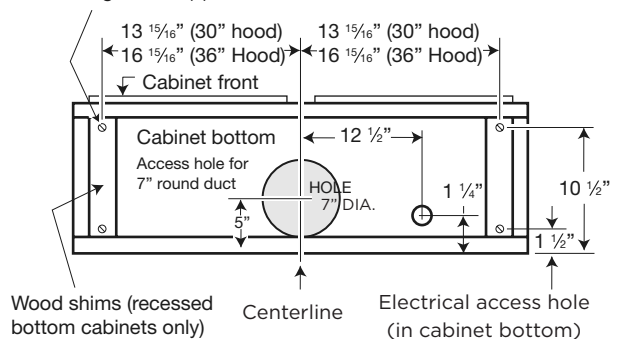
- 1 Use saber or keyhole saw to cut a rectangular opening for vent.

**Outside top exhaust**

(Vertical duct-7" round transition)

- 1 Use the diagram or the hood as a template and mark the locations on the cabinet for ductwork, electrical wiring and keyhole screw slots.

Hood mounting screws (4)

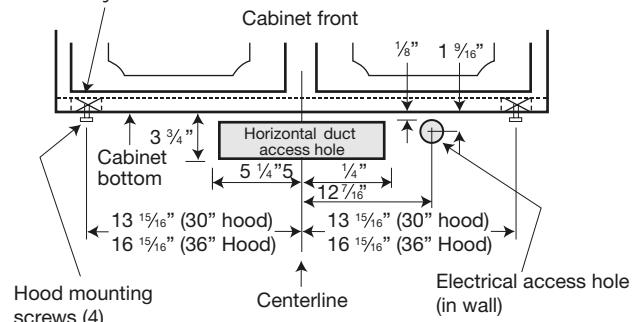


- 2 Use saber or keyhole saw to cut a round opening for vent.

**Outside rear exhaust**

(Horizontal duct- 3 1/4"x 10" rectangular transition)

- 1 Use the diagram or the hood as a template and mark the locations on the cabinet for ductwork, electrical wiring and keyhole screw slots.



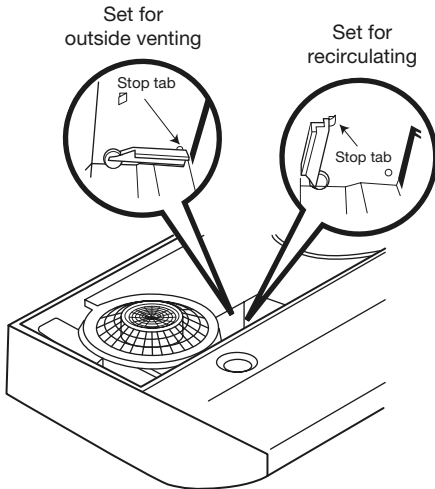
- 3 Use saber or keyhole saw to cut a rectangular opening for vent.

### Choose Venting Option

The hood can be set to vent outside or to recirculate air back into the kitchen. The plastic vent lever is located near the center of the hood opening.

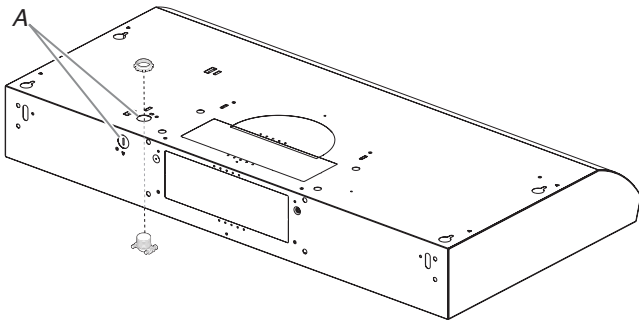
To vent to the outside, make sure the plastic vent lever is in the **HORIZONTAL** position (flat against the metal top of the hood). To recirculate air into the kitchen, make sure the plastic vent lever is in the **VERTICAL** position (flat against the plastic blower housing).

**NOTE:** In order to change the vent lever position, you will need to pull the lever out slightly to clear the plastic tabs.



Hood shown lying upside down

### Install Strain Relief

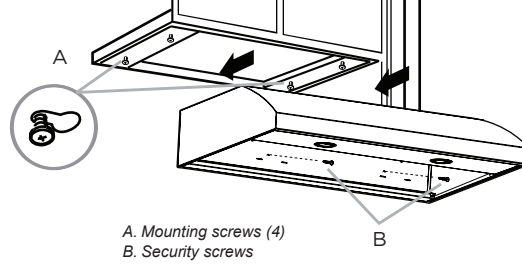


Install a UL listed/CSA approved 1/2" (13 mm) strain relief over one of the knockouts (A) according to the selected discharge.

### Mounting the Hood

- 1 Drill pilot holes on the thin area of the previously marked keyhole slots with a 1/8" (3 mm) drill bit.
- 2 Using 2 or more people, lift the hood into final position. Feed enough electrical wire through the 1/2" UL listed or CSA approved strain relief to make connections in the terminal box. Tighten the strain relief screws.

- 3 Position the range hood so that the large end of the keyhole slots are over the mounting screws. Then push the hood toward the wall so that the screws are in the neck of the slots. Install the .5 cm x 4.5 cm mounting screws in drywall anchors.



- 3 Tighten the mounting screws, making sure the screws are in the narrow neck of slots.
- 4 Tighten the security screws to the wall.
- 5 For direct wire installations, run the home power supply cable according to the National Electric Code or CSA standards and local codes and ordinances. There must be enough wiring from the fused disconnect (or circuit breaker) box to make the connection in the range hood electrical terminal box.

**NOTE:** Do not reconnect power until the installation is complete.

**OPTIONAL:** If you prefer, bend the rear tabs against the rear of the range hood and attach to the wall using #8-18 x 5/8" (4.2 x 16 mm) truss-head screws.

### Connect Vent System

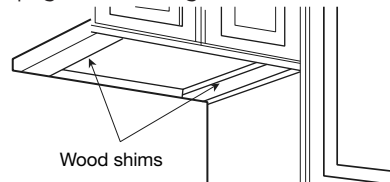
- 1 Connect the vent work to the range hood.
- 2 Seal joints with vent clamps or duct tape to make secure and airtight.

Check that the backdraft dampers work properly.

### For recessed bottom cabinet only

If the cabinets have front, side or back trim, make 2 wood shims the width of the trim and attach them to the cabinet bottom recess on both sides.

See previous page for marking locations.



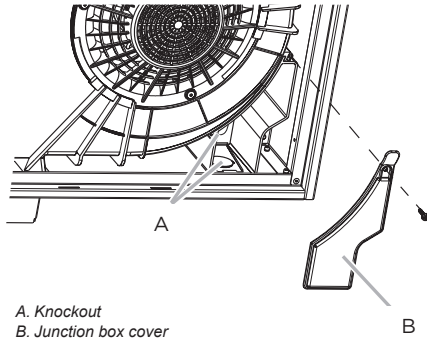
- 1 Cut holes at marked locations for duct and electrical wiring. For the vertical duct, cut out 3/4" extra toward the front of the cabinet so you can move the duct freely when installing the hood. It may also ease installation by cutting the hole 10 1/2" instead of 10".
- 2 Drive a 4.5 x 13 mm screw (from the hardware packet) partway into each center of the narrow neck of the keyhole slots marked on the cabinet bottom.
- 3 Fix the wiring conduit to the hood.
- 4 Slide the hood back against the wall. Tighten the mounting screws. Be sure the screw heads are in the narrow neck of the keyhole slot. Connect ductwork to hood.



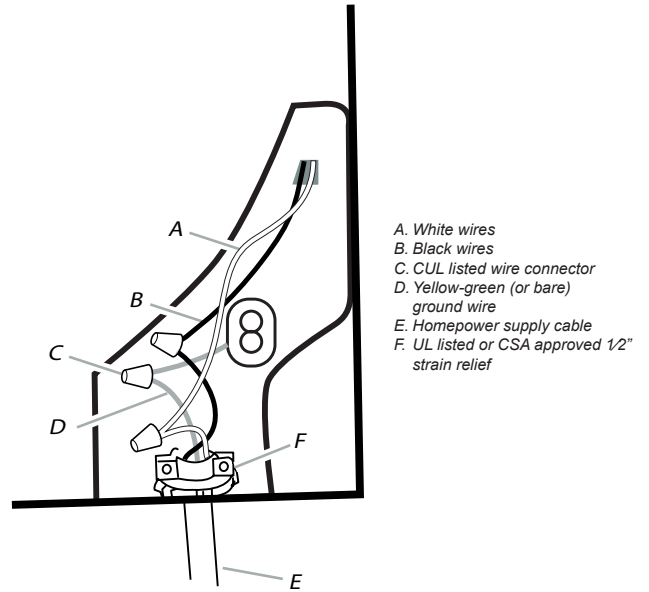
**⚠ WARNING**

ELECTRICAL SHOCK HAZARD. DISCONNECT POWER BEFORE SERVICING. REPLACE ALL PARTS AND PANELS BEFORE OPERATING. FAILURE TO DO SO CAN RESULT IN DEATH OR ELECTRICAL SHOCK.

- 1 Remove the knockout and the Junction box cover, and then install the conduit connector (cULus listed) in the junction box.



- 2 Run 3 wires - black, white, and green - according to the National Electrical Code and local codes and ordinances, in 1/2" conduit from the service panel to the junction box.



**⚠ WARNING**

ELECTRICALLY GROUND THE BLOWER. CONNECT THE GROUND WIRE TO THE GREEN AND YELLOW GROUND WIRES IN THE TERMINAL BOX. FAILURE TO DO SO CAN RESULT IN DEATH OR ELECTRICAL SHOCK.

- 3 Connect the black wire from the service panel to the black or the red in the junction box. Connect the white to white and green to green-yellow.
- 4 Close and secure the junction box cover.

Complete Installation

Replace filters.  
Check operation of the hood.

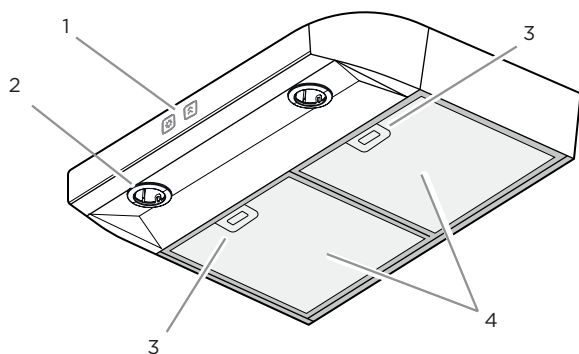
**If range hood does not operate:**

- Check that the circuit breaker is not tripped or the house fuse blown.
- Disconnect power supply. Check that wiring is correct.

**To get the most efficient use from your new range hood, read the "Maintenance" section.**

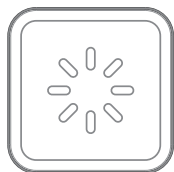
**Keep your Installation Instructions and Use and Care Guide close to range hood for easy reference.**

## Description of the Hood



- 1 Blower and light controls
- 2 LED lamps
- 3 Grease filter handle
- 4 Grease filter

### Control



A



B




- A. Light button
- B. Blower button

### Operation of the controls





It has a touch keyboard with no need to press the buttons.

### Operating the light

The Light On/Off button (A) controls both lights.

-  Press once for turning On soft light and the button sun icon lightens with the bottom half of the edge slightly.
-  Press again for regular light and the button will be completely illuminated.
-  Press a third time to turn Off the light, the whole button light turns off.

### Operating the blower

-  Press the button (B) to turn On the hood on low speed, the icon and right low corner of the edge on button will be illuminated.
-  Press a second time for medium speed, the icon and the lower half of the edge on the button enlightens.
-  Press the button a third time to activate third speed for five minutes (the full icon and edge will be illuminated) and then, automatically switch to high speed.
-  Press the button a fifth time to turn Off the blower and button lights.

### Change light color

With lights and motor turned Off, press and hold light button for 3 sec, both buttons will fully illuminate on the current light color. The buttons can be used to select desired color (Light << button backwards, Blower button forward >>)

Available light colors are white (default color), blue, green or red. To set color, choose one and press both buttons at the same time.

### Sound

To enter sound mode, with lights and motor turned Off press both buttons at the same time and the upper left corner of the light button will illuminate with white light. The buttons can be used to select desired sound (Light <<button backwards, Blower button forward>>).

Available feedback sounds are regular beep, soft beep and mute. As the regular and soft beep are selected, the hood will reproduce each sound. When mute is selected, upper left corner of the light button will illuminate with red light. To set sound, choose one and press both buttons at the same time.

## CFM Reduction System

### Before operating your hood:

Some States and Provinces of the US & Canada restrict the maximum exhausting airflow of range hoods.

Airflow is measured as cubic feet per minute (CFM).

These maximum levels allowed are detailed in the local code of your area. Please check local codes to find out if you need to restrict the maximum airflow of your hood. If your local code mandates a maximum airflow level below the maximum airflow of this hood (i.e. 400 CFM), please execute the procedure below to reduce the maximum airflow.

### With blower and light turned Off

- Press and hold both buttons at the same time for 3 sec you will hear a beep and the icon lights (no edge) will illuminate for 3 seconds.
- This action will disable speed 3 and effectively lower the maximum airflow to > 300 CFM.
- Locate the CFM certification sticker in the hardware pack.
- Peel and Affix this sticker to a visible area in the blower. This

sticker provides official certification to your local inspector that this hoods maximum airflow has been reduced to > 300 CFM.

### Indicators of filter saturation:

At regular time intervals, the hood indicates the need of performing filter maintenance.

### Blower button icon blink (no edge):

Perform grease filter maintenance.

### Light button blink (no edge):

Perform activated charcoal filter maintenance.

### Reset of filter saturation indicators:

With blower Off press and hold the blower button for 3 sec.

### Activation of saturation indicator activated charcoal filter:

**NOTE:** This operation must be performed with the hood off.

This indicator is normally deactivated; press and hold the blower button for 3 sec. to activate the function: the button blinks for 1 sec.

To deactivate the function, press and hold the blower button for 3 sec., the button blinks for half a sec.

### Cleaning

Do not spray cleaners directly to the control while cleaning the Hood. The cooker hood should be cleaned regularly (at least with the same frequency with which you carry out maintenance of the fat filters) internally and externally. Clean using the cloth dampened with neutral liquid detergent. Do not use abrasive products.

DO NOT USE ALCOHOL!

### ⚠ WARNING:

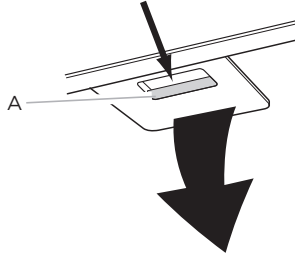
Failure to carry out the basic cleaning recommendations of the cooker hood and replacement of the filters may cause fire risks. Therefore, we recommend observing these instructions. The manufacturer declines all responsibility for any damage to the motor or any fire damage linked to inappropriate maintenance or failure to observe the above safety recommendations.

### Grease Filter

Traps cooking grease particles.

This must be cleaned once a month using non aggressive detergents, either by hand or in the dishwasher, which must be set to a low temperature and a short cycle. When washed in a dishwasher, the grease filter may discolour slightly, but this does not affect its filtering capacity.

To remove the grease filter, pull the spring release handle.



A. Spring handle release

### Replacing a LED Lamp

The LED lights are replaceable by a service technician only. See "Who to contact" section in the warranty for service contact information.

### Charcoal Filter

If the model is not vented to the outside, the air will be recirculated through disposable charcoal filters that help remove smoke and odors.

The charcoal filters cannot be cleaned.

They must be replaced.

The charcoal filters are clipped inside of each metal grease filter (mounting instructions included with charcoal filters kit).

The charcoal filters should be replaced every 4-6 months (depending on hood usage).

**NOTE:** DO NOT rinse, or put charcoal filters in an automatic dishwasher.

**NOTE:** Charcoal filters are not included with the hood.

They must be ordered from your supplier.

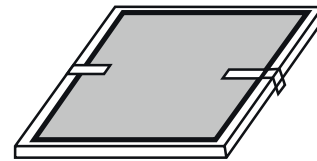
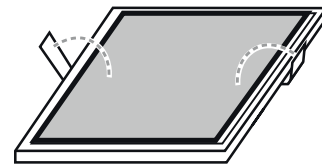
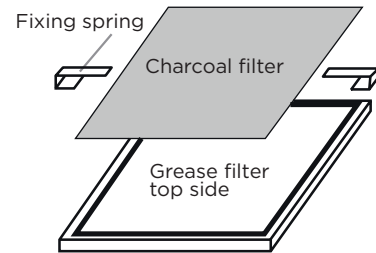
Order the needed kit specifying your hood model and width size.

### Charcoal filter placement (Recirculating accessories)

Fit the charcoal filter mattress on the upper side of each grease filter.

Use provided springs to fix it in place.

**NOTE:** When removing for replacing for a new one do not remove Fixing Springs, simply pull out one and rotate outwards.



# ELICA North America

## TWO-YEAR LIMITED WARRANTY

Register your product in

**elica.com**

and earn a 3<sup>rd</sup> year of factory warranty, covering all parts plus in-home labor.

### TO OBTAIN SERVICE UNDER WARRANTY

Owner must present proof of original purchase date. Please keep a copy of your dated proof of purchase (sales slip) in order to obtain service under warranty.

### PARTS AND SERVICE WARRANTY

For the period of two (2) years from the date of the original purchase, Elica will provide free of charge, non consumable parts or components that failed due to manufacturing defects. During these two (2) years limited warranty, Elica will also provide free of charge, all labor and in-home service to replace any defective parts.

### WHAT IS NOT COVERED

- Damage or failure to the product caused by accident or act of God, such as, flood, fire or earthquake.
- Damage or failure caused by modification of the product or use of non-genuine parts.
- Damage or failure to the product caused during delivery, handling or installation.
- Damage or failure to the product caused by operator abuse.
- Damage or failure to the product caused by dwelling fuse replacement or resetting of circuit breakers.
- Damage or failure caused by use of product in a commercial application.
- Service trips to dwelling to provide use or installation guidance.
- Light bulbs, metal or carbon filters and any other consumable part.
- Normal wear of finish.
- Wear to finish due to operator abuse, improper maintenance, use of corrosive or abrasive cleaning products/pads and oven cleaner products.
- When the product has not been operated in accordance with the accompanying instructions for use.

### WHO IS COVERED

This warranty is extended to the original purchaser for products purchased for ordinary residential use in North America (Including the United States, Guam, Puerto Rico, US Virgin Islands & Canada).

This warranty is non-transferable and applies only to the original purchaser and does not extend to subsequent owners of the product. This warranty is made expressly in lieu of all other warranties, expressed or implied, including, but not limited to any implied warranty of merchantability or fitness for a particular purpose and all other obligations on the part of Elica North America, provided, however, that if the disclaimer of implied warranties is ineffective under applicable law, the duration of any implied warranty arising by operation of law shall be limited to two (2) years from the date of original purchase at retail or such longer period as may be required by applicable law.

This warranty does not cover any special, incidental and/or consequential damages, nor loss of profits, suffered by the original purchaser, its customers and/or the users of the Products.

### WHO TO CONTACT

To obtain service under warranty or for any service related question:

- **USA & CANADA - Western Provinces**  
**SERVICE POWER**  
888 732 8018  
elica@servicepower.com
- **CANADA - Ontario Province**  
**AGI Services**  
888 651 2534  
service@agintl.qc.ca
- **CANADA - Quebec & Atlantic Provinces**  
**Ateliers G. Paquette**  
800 463 0119  
service@ateliersgpaquette.com

To ensure prompt after-sales service, when you call we will kindly ask you to provide the following information indicated on the nameplate inside the hood: **hood model, 12 NC and date of purchase on original invoice**. To access the nameplate, all you have to do is remove the grease filters.

**12NC:** \_\_\_\_\_

**Hood model:** \_\_\_\_\_

**Serial No:** \_\_\_\_\_

**Date of purchase on original invoice:** \_\_\_\_\_

**Table des matières**

Avis de Sécurité Important .....	14
Exigences électriques et d'installation .....	15
Dimensions du Produit.....	15
Liste des pièces .....	16
Pièces non fournies .....	16
Méthodes d'évacuation.....	16
Version sans conduit (Recyclage) .....	16
Évacuation horizontale .....	16
Évacuation verticale.....	17
Installation - Version à conduit .....	17
Connexion électrique.....	20
Achever l'installation.....	20
Description de la hotte .....	21
Commandes .....	21
Système de réduction des CFM.....	21
Entretien.....	22

**APPROUVÉ POUR LES APPAREILS DE TYPE RÉSIDENTIEL  
 POUR UNE UTILISATION RÉSIDENTIELLE SEULEMENT  
 LISEZ CES INSTRUCTIONS ET CONSERVEZ-LES**

**VEUILLEZ LIRE CES INSTRUCTIONS AU COMPLET AVANT DE COMMENCER.  
 L'INSTALLATION DE L'APPAREIL DOIT RESPECTER TOUS LES CODES EN VIGUEUR.**

**IMPORTANT :** Conservez ces instructions afin de pouvoir les remettre à l'inspecteur-électricien de votre région.

**INSTALLATEUR :** Veuillez laisser ces instructions avec l'appareil pour le propriétaire.

**PROPRIÉTAIRE :** Veuillez conserver ces instructions pour pouvoir vous y référer plus tard.

**Avertissement de sécurité :** Coupez l'alimentation du circuit dans le panneau électrique et verrouillez le panneau avant de raccorder les fils de cet appareil.

**Exigence :** 120 V~, 60 Hz circuit de dérivation de 15 V~, 20 Hz, de 15 ou 20 A.

**ATTENTION** POUR UNE UTILISATION GÉNÉRALE DE VENTILATION UNIQUEMENT. NE PAS UTILISER POUR ÉVACUER DES MATIÈRES ET DES VAPEURS DANGEREUSES OU EXPLOSIVES.

**AVERTISSEMENT:** POUR RÉDUIRE LES RISQUES D'INCENDIE, DE CHOC ÉLECTRIQUE OU DE BLESSURES AUX PERSONNES, RESPECTEZ CE QUI SUIT:

a) N'utilisez cet appareil que de la manière prévue par le fabricant. Si vous avez des questions, contactez le fabricant.

b) Avant de procéder à l'entretien ou au nettoyage de l'appareil, coupez l'alimentation au niveau du panneau de service et verrouillez le dispositif de déconnexion du service afin d'éviter toute remise sous tension accidentelle. Si le dispositif de déconnexion ne peut pas être verrouillé, fixez solidement un dispositif d'avertissement bien visible, tel qu'une étiquette, sur le panneau de service.

**AVERTISSEMENT:** POUR RÉDUIRE LES RISQUES D'INCENDIE, D'ÉLECTROCUTION OU DE BLESSURE, RESPECTEZ LES POINTS SUIVANTS :

a) Les travaux d'installation et le câblage électrique doivent être effectués par des personnes qualifiées, conformément à tous les codes et normes applicables, y compris la construction à indice de résistance au feu.

b) Une quantité d'air suffisante est nécessaire pour assurer une bonne combustion et l'évacuation des gaz par le conduit (cheminée) des appareils à combustible, afin d'éviter le refoulement. Suivez les directives du fabricant de l'équipement de chauffage et les normes de sécurité telles que celles publiées par la National Fire Protection Association (NFPA) et l'American Society for Heating, Refrigeration and Air Conditioning Engineers (ASHRAE), ainsi que les autorités locales compétentes en matière de code.

c) Lorsque vous découpez ou percez un mur ou un plafond, n'endommagez pas le câblage électrique et les autres services cachés.

d) Les ventilateurs aspirants doivent toujours être ventilés vers l'extérieur.

**ATTENTION:** Afin de réduire les risques d'incendie et d'évacuer correctement l'air, veillez à évacuer l'air à l'extérieur - ne pas évacuer l'air à l'intérieur des murs ou des plafonds, dans les greniers ou les vides sanitaires, ou dans les garages.

**AVERTISSEMENT:** Pour réduire le risque d'incendie ou de choc électrique, n'utilisez pas ce ventilateur avec un dispositif de contrôle de vitesse à semi-conducteurs.

**AVERTISSEMENT :** POUR RÉDUIRE LE RISQUE D'INCENDIE, N'UTILISEZ QUE DES CONDUITS MÉTALLIQUES.

**REMARQUE:** Avant toute opération de nettoyage ou d'entretien, débrancher la hotte en retirant la fiche ou en déconnectant l'alimentation électrique.

**AVERTISSEMENT:** POUR RÉDUIRE LE RISQUE D'INCENDIE DE GRAISSE SUR LA CUISINIÈRE :

a) Ne laissez jamais les appareils de surface sans surveillance à des réglages élevés. Les ébullitions provoquent des fumées et des débordements graisseux qui peuvent s'enflammer. Faites chauffer les huiles lentement à feu doux ou moyen.

b) Allumez toujours la hotte lorsque vous cuisinez à feu vif ou lorsque vous faites flamber des aliments (par exemple, Crêpes Suzette, Cherries Jubilee, Peppercorn Beef Flambe').

c) Nettoyez fréquemment les ventilateurs. La graisse ne doit pas s'accumuler sur le ventilateur ou le filtre.

d) Utilisez des casseroles de taille appropriée. Utilisez toujours des ustensiles de cuisine adaptés à la taille de l'élément de surface.

**REMARQUE:** Portez toujours des gants de travail pour toutes les opérations d'installation et d'entretien.

**AVERTISSEMENT :** Pour réduire les risques d'incendie et de choc électrique, n'installez cette hotte qu'avec des modèles de soufflerie à distance d'une puissance maximale (courant et/ou chevaux) ou des souffleries intégrales fabriquées par (nom du fabricant), modèle(s) (nom de l'appareil). Note : a Puissance maximale recommandée pour la soufflerie à distance.

**AVERTISSEMENT :** POUR RÉDUIRE LE RISQUE DE BLESSURES AUX PERSONNES EN CAS D'INCENDIE DE GRAISSE DE POÊLE, RESPECTEZ LES DISPOSITIONS SUIVANTES:a

a) ÉTEIGNEZ LES FLAMMES à l'aide d'un couvercle hermétique, d'une plaque à biscuits ou d'un plateau métallique, puis éteignez le brûleur. SOYEZ PRUDENT POUR ÉVITER LES BRÛLURES. Si les flammes ne s'éteignent pas immédiatement, EVACUEZ ET APPELEZ LES POMPIERS.

b) Ne ramassez jamais une casserole en feu - Vous pourriez vous brûler.

c) N'UTILISEZ PAS D'EAU, y compris des torchons ou des serviettes mouillés - une violente explosion de vapeur s'ensuivrait.

d) Utilisez un extincteur UNIQUEMENT si: Vous savez que vous avez un extincteur de classe ABC et vous savez déjà comment le faire fonctionner. Le feu est petit et contenu dans la zone où il s'est déclaré. Les pompiers sont appelés. Vous pouvez combattre le feu en tournant le dos à une sortie.

a) Selon les "Conseils de sécurité en cas d'incendie dans la cuisine" publiés par la NFPA.

**REMARQUE:** Cet appareil n'est pas destiné à être utilisé par des personnes (y compris des enfants) dont les capacités physiques, sensorielles ou mentales sont réduites, ou qui manquent d'expérience et de connaissances, à moins qu'elles n'aient reçu une surveillance ou des instructions concernant l'utilisation de l'appareil de la part d'une personne responsable de leur sécurité.

**REMARQUE :** Les enfants doivent être surveillés afin de s'assurer qu'ils ne jouent pas avec l'appareil.

## IMPORTANT

Respectez tous les codes et les ordonnances en vigueur.

Le client a la responsabilité de :

- Contacter un électricien-installateur.
- Vérifier que l'installation électrique est adéquate et conforme avec le Code national de l'électricité, ANSI/NFPA 70 (la plus récente édition\*), ou les normes C22.1-94, Code canadien de l'électricité, Partie 1 et C22.2 No.0-M91 (La plus récente édition\*\*) de la CSA, ainsi que tous les codes et les ordonnances de votre région.
- Si le code le permet et que vous utilisez un fil de mise à la terre distinct, il est recommandé de faire vérifier le chemin du fil par un électricien.
- Ne pas mettre l'appareil à la terre sur une conduite de gaz.
- Consultez un électricien qualifié si vous n'êtes pas certain que la hotte est mise à la terre correctement.
- N'installez pas un fusible dans le circuit neutre ou le circuit de mise à la terre.

## IMPORTANT

- Conservez ces instructions afin de pouvoir les remettre à l'inspecteur-électricien.
- La hotte doit être câblée uniquement à l'aide de fils de cuivre.
- Il faut raccorder la hotte directement à une boîte à fusible ou à un disjoncteur par l'entremise d'une canalisation électrique en métal.
- Le calibre de fil doit être conforme aux exigences du Code national de l'électricité, ANSI/NFPA 70 (La plus récente édition\*), ou les normes C22.1-94, Code canadien de l'électricité, Partie 1 et C22.2 O-M91 (La plus récente édition\*\*) de la CSA, ainsi que tous les codes et les ordonnances de votre région.
- Il faut prévoir un connecteur de canalisation approuvé par l'UL ou la CSA à chaque extrémité de la canalisation d'alimentation (À la hotte et à la boîte de jonction).

Vous pouvez obtenir un exemplaire des normes indiquées en vous adressant à :

\* La National Fire Protection Association, Batterymarch Park Quincy, Massachusetts, 02269

\*\* La CSA International, 8501 East Pleasant Valley Road, Cleveland, Ohio, 44131-5575

## AVANT D'INSTALLER LA HOTTE

- 1 Pour assurer la ventilation la plus efficace possible, installez la conduite en ligne droite ou avec le moins de coudes possibles.

ATTENTION : La sortie de la conduite de ventilation doit donner sur l'extérieur.

- 2 Deux personnes sont nécessaires pour effectuer l'installation.
- 3 La quincaillerie fournie permet de fixer la hotte à la plupart des murs et des plafonds; consultez un installateur qualifié pour vous assurer que la quincaillerie fournie est adaptée à votre type de mur ou d'armoire.
- 4 N'utilisez pas de conduit flexible.
- 5 Dans le cas des endroits sujets aux TEMPÉRATURES FROIDES, il faut installer un clapet de contre-tirage supplémentaire afin de minimiser le retour d'air froid et un isolant thermique non métallique afin de minimiser la conduction de la température extérieure dans le conduit. Il faut placer le clapet du côté de l'air froid de l'isolant thermique. L'isolant doit être placé le plus près possible de l'endroit où le conduit entre dans la partie chauffée de la maison.
- 6 Air d'appoint : Le code du bâtiment de votre région peut exiger l'utilisation d'un système d'air d'appoint si vous utilisez un système de ventilation à conduit dont le mouvement d'air dépasse un certain nombre de CFM. Le nombre de pi<sup>3</sup>/min varie d'une région à l'autre. Consultez un professionnel de CVC pour connaître les exigences précises de votre région.

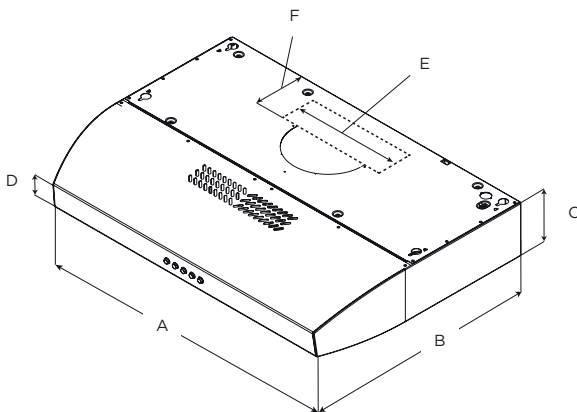
Si la hotte est munie d'une fiche électrique, la raccorder à un réceptacle conforme à la réglementation en vigueur et placé en position accessible. Si la hotte n'est pas équipée d'une fiche électrique (raccordement direct au réseau électrique) ou si la fiche ne sera pas en position accessible après l'installation, placez un interrupteur bipolaire homologué en position accessible qui assure une déconnexion totale dans des conditions de surtension de catégorie III, conformément aux règles de câblage locales.

N'utilisez que des kits de connexion de cordon de hotte qui ont été examinés et jugés acceptables pour une utilisation avec ce modèle de hotte.

a) Ne pas faire fonctionner un ventilateur dont le cordon ou la fiche est endommagé(e). Mettez le ventilateur au rebut ou renvoyez-le à un centre de service agréé pour qu'il soit examiné et/ou réparé.

b) Ne pas faire passer le cordon sous la moquette. Ne pas couvrir le cordon avec des tapis, des patins ou des revêtements similaires. Ne pas faire passer le cordon sous les meubles ou les appareils électroménagers. Placez le cordon à l'écart des zones de circulation et à un endroit où l'on ne risque pas de trébucher dessus.

## Dimensions du Produit



	Modèles	
	EBL430S2	EBL436S2
A	30" (76.2 cm)	36" (91.4 cm)
B	20" (50.8 cm)	
C	4 <sup>7</sup> / <sub>16</sub> " (12 cm)	
D	2 <sup>5</sup> / <sub>16</sub> " (5.7 cm)	
E	3 <sup>1</sup> / <sub>4</sub> " x 10" (8.3 x 25.4 cm)	
F	5 <sup>1</sup> / <sub>16</sub> " (13 cm)	



## Liste des pièces

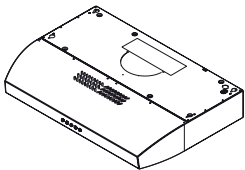

Retirer les pièces de leur emballage.

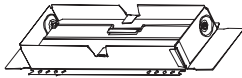

### ⚠ ATTENTION

Enlever délicatement le carton, porter des gants pour se protéger des bords coupants.

### ⚠ AVERTISSEMENT

Enlever le film de protection recouvrant le produit avant de commencer l'opération.

Pièces Fournies	Quantité
 Assemblage hotte avec lampes DEL	1
 4.5x13 mm	1

Pièces Fournies	Quantité
 Module connecteur de conduit rectangulaire de 3 1/4" x 10" (8.3 x 25.4 cm)	4
 3.5x6.5 mm	1

### Pièces non fournies

#### Outils nécessaires

- Perceuse
- Foret de 1/4" (3.0 cm)
- Foret de 1/8" (3.0 mm) pour avant-trous
- Crayon
- Pince à dénuder ou couteau utilitaire
- Ruban à mesurer ou règle
- Pistolet à calfeutrage et composé de calfeutrage résistant aux intempéries
- Tournevis à lame plate
- Tournevis Philips
- Scie sauteuse ou scie à guichet
- Cisaille de ferblantier

#### Accessoires optionnel

KIT	# Pièce	
	EBL430S2	EBL436S2
<b>Kit de recyclage</b>	KIT02178	KIT02179
<b>Kit de valve</b>	KIT02723	
<b>Kit de filtres à graisse</b>	GFO4BE	GFO4BF
<b>Kit d'air conditionné</b>	KIT02737B	

## Méthodes d'évacuation

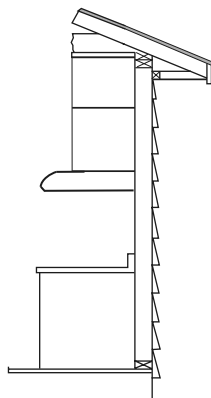
Suivez à la lettre les directives présentées dans ce manuel.

Le fabricant refuse toute responsabilité en ce qui a trait à tout préjudice, dommage ou incendie causé par la non observation des directives contenues dans le présent manuel.

### Version sans conduit (Recyclage)

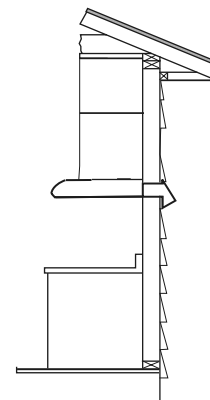
#### REMARQUE:

Dans le cas de la version sans conduit (À recyclage) seulement: procurez-vous la trousse de conversion en hotte à recyclage.



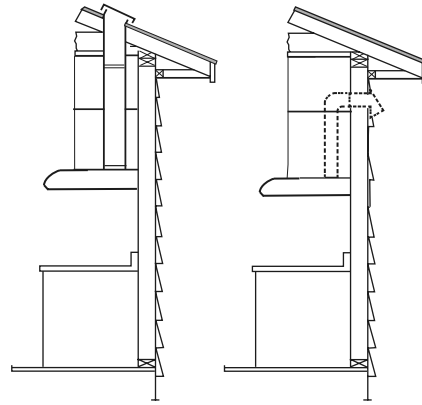
### Évacuation horizontale

Utiliser un conduit rectangulaire de 3 1/4" x 10" (8.3 x 25.4 cm)





Utiliser un conduit rectangulaire de 3¼" x 10" (8.3 x 25.4 cm) ou utiliser un conduit circulaire de 7" (17.8 cm)



### Préparation

Ne coupez pas une solive ou un montant à moins qu'il soit absolument nécessaire de le faire. Si vous devez couper une solive ou un montant, vous devez construire un cadre de soutien.

La quincaillerie fournie permet de fixer la hotte à la plupart des murs et des plafonds.

Vous devez cependant demander à un technicien qualifié de vérifier la solidité des matériaux selon le type de mur ou de plafond.

Avant de couper, assurez-vous qu'il y a un dégagement suffisant dans le plafond ou le mur pour passer la conduite de sortie.

### ⚠ ATTENTION

Pour l'installation des cuisiniers à gaz: Installer cette hotte de sorte que le rebord inférieur est à 30" (76.2 cm) au-dessus de la surface de cuisson.

Pour l'installation des cuisiniers électriques / induction: Installer cette hotte de sorte que le rebord inférieur est pas moins de 25" (65 cm) sur la surface de cuisson.

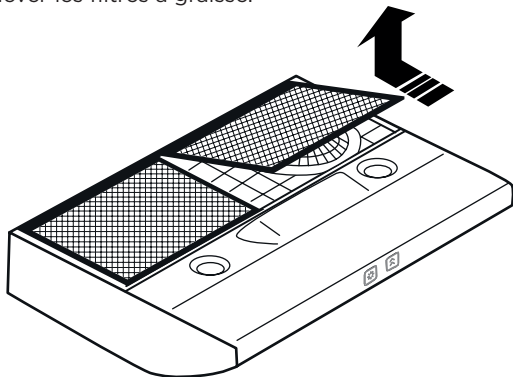
Il est recommandé d'installer cette hotte plus de 36" (91.4 cm) au-dessus de la surface de cuisson. Par pouce (2,54 cm) supérieure à 36 (91.4 cm) diminuera l'efficacité de la capture de la fumée et de l'humidité, et la performance de ventilation.

S'IL VOUS PLAÎT LIRE L'INSTALLATION POUR UNE INSTALLATION SPÉCIFIQUE. Avant de choisir la hotte, vérifiez la hauteur du plafond et la hauteur maximale de la hotte.

### Installation - Version à conduit

Après avoir choisi le type d'évacuation, procéder comme suit:

- 1 Enlever les filtres à graisse.

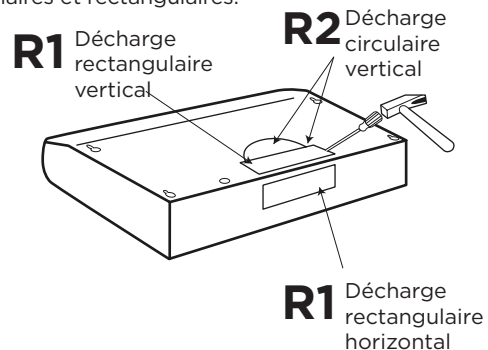


### ⚠ ATTENTION

En cas d'utilisation de la hotte avec recyclage d'air, ne pas enlever les parties prédécoupées pour les conduits et commander les filtres à charbon nécessaires chez votre revendeur.

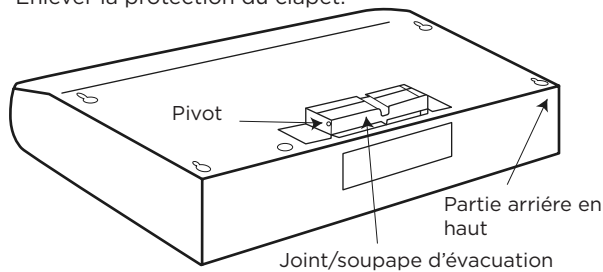
R1 = Enlever uniquement les parties prédécoupées pour les conduits rectangulaires.

R2 = Enlever les parties prédécoupées pour les conduits circulaires et rectangulaires.



**Pour les évacuations avec conduits rectangulaires uniquement**

- 1 Retirez l'emballage de la transition.
- 2 Attacher le joint ou la soupape d'évacuation sur l'ouverture préformée à l'aide des 3 - 3,5 x 6,5 mm vis prévues à cet effet.
- 3 S'assurer que les éléments soient le plus proche possible de la partie arrière en haut de votre hotte. Enlever la protection du clapet.

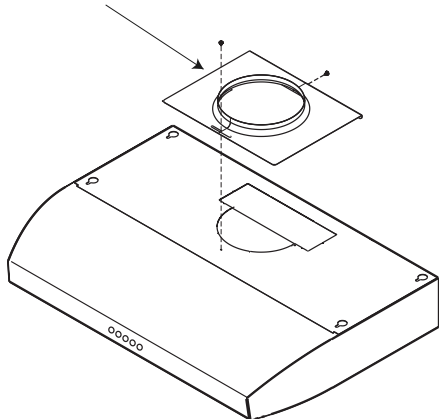


**Pour les évacuations avec conduits circulaires**

Installez la transition de 7" (17,8 cm) à l'aide des vis disponibles sur le kit (à acheter séparément, voir la section Accessoires en option et pièces consommables).

**REMARQUE:** Le raccord circulaire peut être installé jusqu'à 2,5 cm (1 pouce) de part et d'autre du centre de la hotte pour permettre le décentrage des conduits. Dans le cas de systèmes d'évacuation très décentrés, la partie terminale du conduit d'évacuation peut être modifiée pour dégager l'attache du fil électrique.

Raccord circulaire 7"



**Marquez et coupez l'ouverture de l'évent**

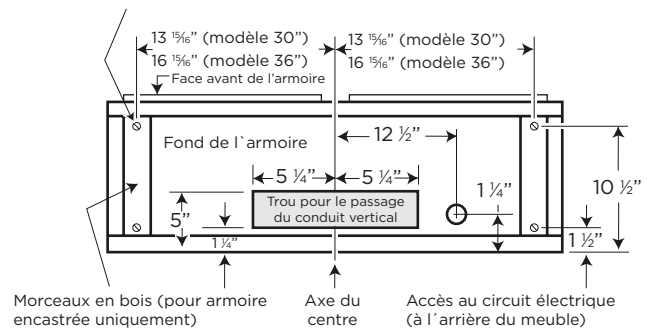
Utilisez le capot comme modèle et marquez les emplacements sur l'armoire pour les fentes des vis en trou de serrure. Sélectionner le type d'évacuation choisi pour votre hotte et procéder:

**Pour une installation non ventilée (Recyclage d'air)**  
Aucune étape supplémentaire n'est nécessaire.

**Évacuation extérieure par le dessus de la hotte**

(Conduit vertical rectangulaire de 3 1/4" x 10")

- 1 Utiliser le schéma ou la hotte comme patron et indiquer sur l'armoire l'emplacement des conduits, des fils électriques et les fentes réglables pour les vis. Vis de fixation (4)

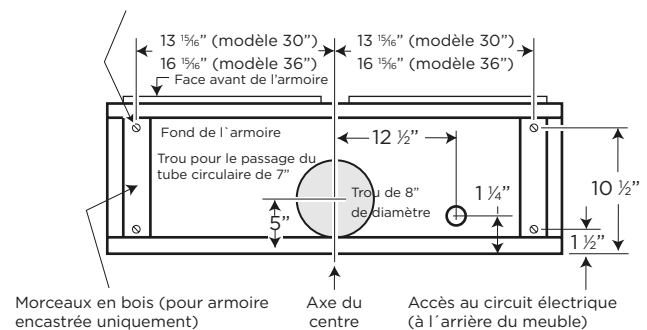


- 2 Utilisez une scie sabre ou une scie à guichet pour découper une ouverture rectangulaire pour l'évent.

**Évacuation extérieure par le dessus de la hotte**

(Conduit vertical circulaire de 7")

- 1 Utiliser le schéma ou la hotte comme patron et indiquer sur l'armoire l'emplacement des conduits, des fils électriques et les fentes réglables pour les vis. Vis de fixation (4)

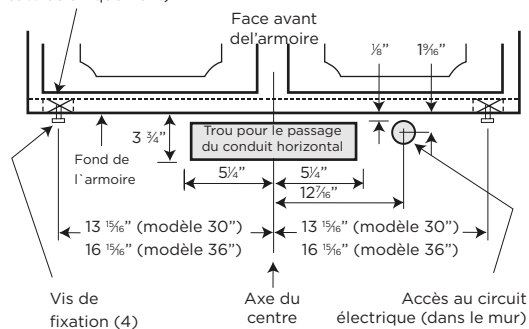


- 2 Utilisez une scie sabre ou une scie en trou de serrure pour découper une ouverture ronde pour l'évent.

**Évacuation extérieure par le dessus de la hotte**

(Conduit horizontal- 3 1/4 "x 10" transition rectangulaire)

- 1 Utiliser le schéma ou la hotte comme patron et indiquer sur l'armoire l'emplacement des conduits, des fils électriques et les fentes réglables pour les vis. Morceaux en bois (pour armoire encastrée uniquement)

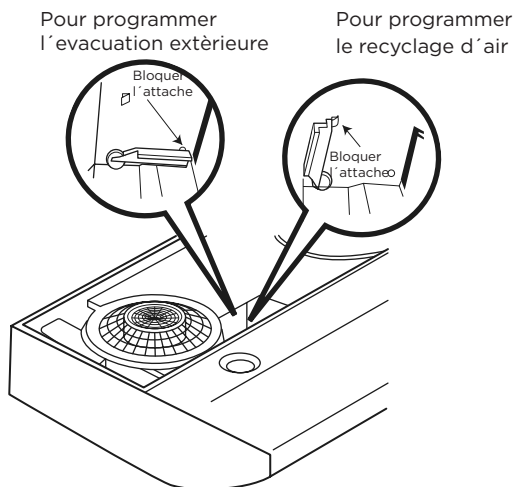


- 2 Utilisez une scie sabre ou une scie à guichet pour découper une ouverture rectangulaire pour l'évent.

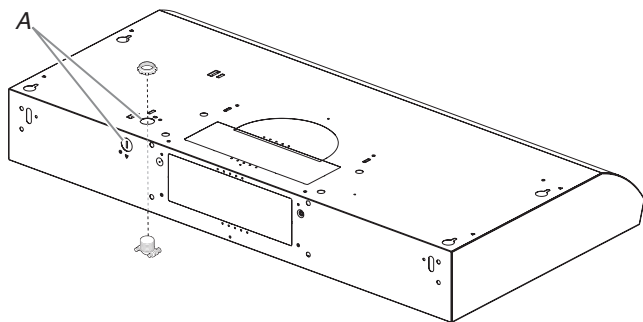
### Sélectionner le type d'évacuation choisie pour votre hotte

La hotte peut être installée pour évacuer l'air à l'extérieur ou pour recycler l'air dans la cuisine. Le levier de ventilation en plastique est situé près du centre de l'ouverture de la hotte. Pour évacuer vers l'extérieur, s'assurer que le levier de ventilation en plastique est en position HORIZONTALE (à plat contre la partie supérieure métallique de la hotte). Pour recycler l'air dans la cuisine, s'assurer que le levier de ventilation en plastique est en position VERTICALE (à plat contre la protection en plastique de la soufflerie).

**REMARQUE:** Pour changer la position du levier de ventilation, il est nécessaire de pousser légèrement le levier pour dégager les parties en plastique.



### Installer le réducteur de tension

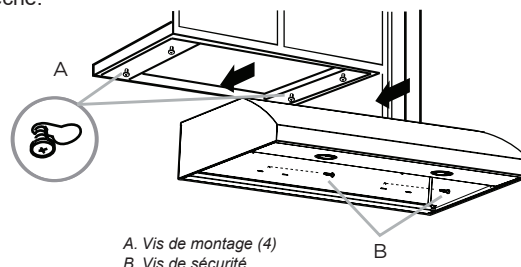


Installez une décharge de traction (A) de  $\frac{1}{2}$ " (13 mm) homologuée UL / CSA.

### Montage de la hotte

- 1 À l'aide de 2 personnes ou plus, soulevez le capot en position finale. Faites passer suffisamment de fil électrique à travers le serre-câble de  $\frac{1}{2}$ " homologué UL ou CSA pour effectuer les connexions dans la boîte à bornes. Serrez les vis de décharge de traction.
- 2 Positionnez la hotte de manière à ce que la grande extrémité des fentes en trou de serrure soit sur les vis de montage. Poussez ensuite la hotte vers le mur afin que les vis soient dans le col des fentes. Installez les vis de montage de 0,5 cm x 4,5 cm dans les ancrages pour cloisons sèches.

- 3 Positionnez la hotte de manière à ce que la grande extrémité des fentes en trou de serrure se trouve au-dessus des vis de montage. Poussez ensuite la hotte vers le mur de façon à ce que les vis se trouvent dans le col des fentes. Installez les vis de montage de 0,5 cm x 4,5 cm dans des ancrages pour cloison sèche.



- 3 Serrez les vis de montage, en vous assurant que les vis sont dans le col étroit des fentes.
- 4 Serrez les vis de sécurité au mur.
- 5 Pour les installations à fil direct, faites passer le câble d'alimentation domestique conformément au Code national de l'électricité ou aux normes CSA et aux codes et ordonnances locaux. Il doit y avoir suffisamment de câblage du boîtier de sectionnement à fusible (ou du disjoncteur) pour effectuer la connexion dans la boîte à bornes électrique de la hotte.

**REMARQUE:** Ne reconnectez pas l'alimentation tant que l'installation n'est pas terminée.

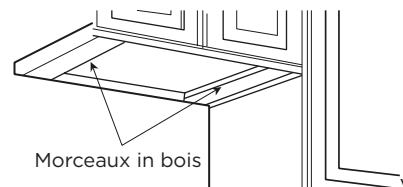
**FACULTATIF:** Si vous préférez, pliez les languettes arrière contre l'arrière de la hotte et fixez-les au mur à l'aide de vis à tête bombée n° 8-18 x  $\frac{5}{8}$ " (4,2 x 16 mm).

### Connecter le système de ventilation

- 1 Connectez le conduit de ventilation à la hotte.
- 2 Sceller les joints avec des colliers de ventilation ou du ruban adhésif pour les rendre sûrs et étanches.
- 3 Vérifiez que les volets anti-retour fonctionnent correctement.

### Pour les armoires inférieures intégrées uniquement

Si les armoires ont une garniture à l'avant, sur le côté ou à l'arrière, réaliser 2 morceaux de bois de la largeur des garnitures et les attacher à l'armoire encadrée sur les 2 côtés. Pour les emplacements des marques, se référer aux indications à la page précédente.



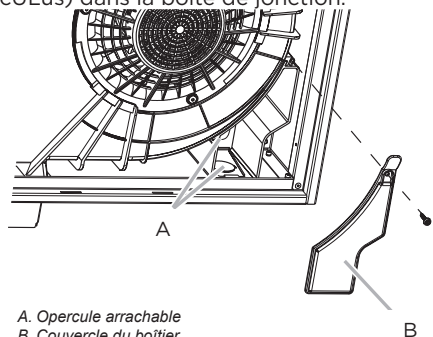
- 1 Réaliser les trous pour les conduits et les fils électriques aux emplacements indiqués. Pour le conduit vertical, agrandir le trou de  $\frac{3}{4}$ " vers le devant de l'armoire pour pouvoir bouger le conduit plus librement lors de la mise en place de la hotte. L'installation sera également plus facile si le trou fait 10 $\frac{1}{2}$ " au lieu de 10".
- 2 Serrer une 4,5 x 13 mm vis de fixation (se trouvant dans le kit de montage) dans chaque petite ouverture des crochets marqués sur le fond de l'armoire.
- 3 Raccorder le tube électrique à la hotte.
- 4 Replacer la hotte contre le mur. Serrer les vis de fixation. S'assurer que la tête des vis est bien dans la partie plus étroite des fentes des crochets. Raccorder les conduits à la hotte.

**⚠ AVERTISSEMENT**

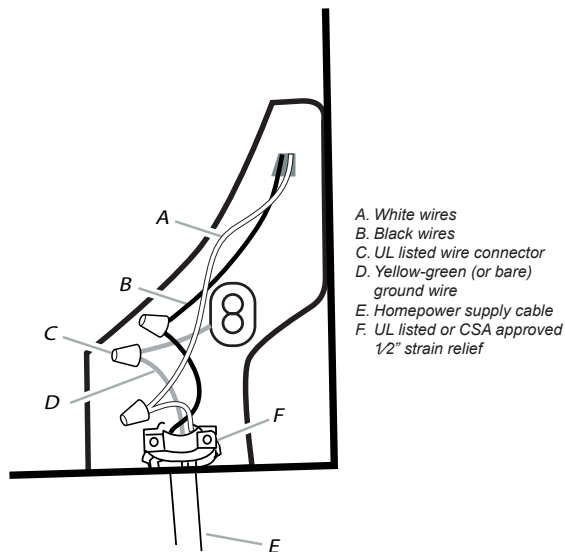
RISQUE DE CHOC ÉLECTRIQUE.

DÉBRANCHEZ L'ALIMENTATION AVANT DE PROCÉDER À L'ENTRETIEN. REMPLACEZ TOUTES LES PIÈCES ET TOUS LES PANNEAUX AVANT D'UTILISER L'APPAREIL. LE NON-RESPECT DE CETTE CONSIGNE PEUT ENTRAÎNER LA MORT OU UN CHOC ÉLECTRIQUE.

- 1 Retirez l'alvéole défonçable et le couvercle de la boîte de jonction et installez un connecteur de canalisation (Listé dans cULus) dans la boîte de jonction.



- 2 Passez trois fils, le noir, le blanc et le vert, en respectant les normes du code national de l'électricité, ainsi que les codes et les ordonnances en vigueur dans votre région, dans une canalisation de 1/2 po, du panneau de service à la boîte de jonction.



**⚠ AVERTISSEMENT**

METTEZ LA SOUFFLANTE À LA TERRE. CONNECTEZ LE FIL DE TERRE AUX FILS DE TERRE VERT ET JAUNE DANS LA BOÎTE À BORNES. LE NON-RESPECT DE CETTE CONSIGNE PEUT ENTRAÎNER LA MORT OU UN CHOC ÉLECTRIQUE.

- 3 Raccordez le fil noir du panneau de service au fil noir ou rouge de la boîte jonction, le blanc avec le blanc et le vert avec le vert/jaune.
- 4 Fermez le couvercle de la boîte de jonction.

Achever l'installation

Replacer les filtres.  
Vérifier que la hotte fonctionne.

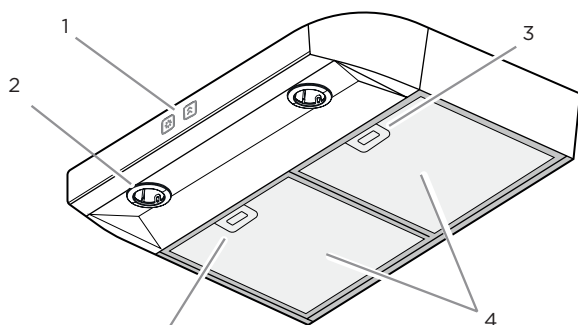
**Si la hotte ne fonctionne pas:**

- Vérifiez que le disjoncteur ne s'est pas déclenché ou que le fusible n'est pas grillé.
- Débranchez l'alimentation. Vérifiez que les raccords électriques ont été effectués correctement.

**Pour utiliser votre nouvelle hotte de façon optimale, lisez la section intitulée "Entretien".**

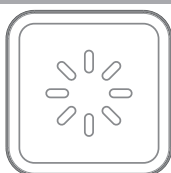
**Gardez vos instructions d'installations et d'utilisation près de la hotte pour pouvoir vous y référer facilement.**

## Description de la hotte



- 1 Boutons de commande du ventilateur et des lampes
- 2 DEL lampes
- 3 Poignée pour le filtre
- 4 Filtre à graisse

## Commandes



A



B

- A. Bouton de l'éclairage  
B. Bouton du ventilateur

### Fonctionnement des commandes

Clavier à effleurement sans avoir à appuyer sur les boutons

### Utilisation de la lumière

Le bouton Light On/Off (A) permet de contrôler les deux lumières.



Appuyez une fois pour allumer la lumière douce et l'icône du bouton soleil s'illumine avec la moitié inférieure du bord légèrement.



Appuyez à nouveau pour une lumière normale et le bouton sera complètement éclairé.



Appuyez une troisième fois pour éteindre la lumière, l'ensemble de la lumière du bouton s'éteint.

## Système de réduction des CFM

**Avant d'utiliser votre hotte:** Certains États et certaines provinces des États-Unis et du Canada limitent le débit d'air maximum des hottes de cuisine.

Le débit d'air est mesuré en pieds cubes par minute (CFM). Ces niveaux maximums autorisés sont détaillés dans le code local de votre région. Veuillez vérifier les codes locaux pour savoir si vous devez restreindre le débit d'air maximal de votre hotte. Si votre code local impose un niveau de débit d'air maximum inférieur au débit d'air maximum de cette hotte (c'est-à-dire 400 CFM), veuillez exécuter la procédure ci-dessous pour réduire le débit d'air maximum.

### Avec le ventilateur et la lumière éteints

- Appuyez sur les deux boutons en même temps et maintenez-les enfoncés pendant 3 secondes ; vous entendrez un bip et les témoins lumineux (sans bord) s'allumeront pendant 3 secondes.
- Cette action désactivera la vitesse 3 et réduira effectivement le débit d'air maximum à > 300 CFM.
- Trouvez l'autocollant de certification CFM dans l'emballage du matériel.
- Cet autocollant fournit une certification officielle à votre inspecteur local que le débit d'air maximum de cette hotte a été réduit à > 300 CFM.

## Fonctionnement de la hotte



Appuyez sur le bouton (B) pour allumer la hotte en basse vitesse, l'icône et le coin inférieur droit du bord sur le bouton s'allument.



Appuyez une deuxième fois pour la vitesse moyenne, l'icône et la moitié inférieure du bord sur le bouton s'allument.



Appuyez une troisième fois sur le bouton pour activer la troisième vitesse pendant cinq minutes (l'icône et le bord complet s'illuminent), puis, passez automatiquement à la vitesse élevée.



Appuyez sur le bouton une cinquième fois pour éteindre la soufflerie et les lumières du bouton.

## Changer la couleur de la lumière

Lorsque les lumières et le moteur sont éteints, appuyez sur le bouton de lumière et maintenez-le enfoncé pendant 3 secondes, les deux boutons s'allument complètement sur la couleur de lumière actuelle. Les boutons peuvent être utilisés pour sélectionner la couleur souhaitée (bouton Lumière << vers l'arrière, bouton Soufflerie vers l'avant >>).

Les couleurs de lumière disponibles sont le blanc (couleur par défaut), le bleu, le vert ou le rouge. Pour définir la couleur, choisissez-en une et appuyez sur les deux boutons en même temps.

## Son

Pour passer en mode son, avec les lumières et le moteur éteints, appuyez sur les deux boutons en même temps et le coin supérieur gauche du bouton de lumière s'illuminera d'une lumière blanche. Les boutons peuvent être utilisés pour sélectionner le son désiré (Lumière << bouton vers l'arrière, Souffleur vers l'avant >>).

Les sons de retour disponibles sont le bip régulier, le bip doux et la sourdine. Lorsque le bip régulier et le bip doux sont sélectionnés, la hotte reproduit chaque son. Lorsque la sourdine est sélectionnée, le coin supérieur gauche du bouton lumineux s'allume en rouge. Pour régler le son, choisissez-en un et appuyez sur les deux boutons en même temps.

## Indicateurs de saturation du filtre:

À intervalles réguliers, la hotte indique la nécessité de effectuer l'entretien du filtre.

### L'icône du bouton de la soufflerie clignote (pas de bord):

Effectuer l'entretien du filtre à graisse.

### Bouton lumineux clignotant (sans bord):

Effectuer l'entretien du filtre à charbon actif.

### Réinitialisation des indicateurs de saturation du filtre:

Avec le ventilateur éteint, appuyez sur le bouton du ventilateur et maintenez-le enfoncé pendant 3 secondes.

### Activation de l'indicateur de saturation du filtre à charbon actif:

**NOTE:** Cette opération doit être effectuée avec la hotte éteinte.

Cet indicateur est normalement désactivé ; pour activer la fonction, appuyez sur le bouton de la soufflerie pendant 3 secondes : le bouton clignote pendant 1 seconde.

Pour désactiver la fonction, appuyez sur le bouton de la soufflerie et maintenez-le enfoncé pendant 3 secondes, le bouton clignote pendant une demi-seconde.

### Nettoyage

Ne pas vaporiser de nettoyants directement sur le panneau de contrôle lors du nettoyage de la Hotte.

La hotte doit être régulièrement nettoyée à l'intérieur et à l'extérieur (au moins à la même fréquence que pour l'entretien des filtres à graisse). Pour le nettoyage, utiliser un chiffon humidifié avec un détergent liquide neutre. Ne pas utiliser de produit contenant des abrasifs.

**NE PAS UTILISER D'ALCOOL!**

#### ⚠ ATTENTION:

Il y a risque d'incendie si vous ne respectez pas les instructions concernant le nettoyage de l'appareil et le remplacement ou le nettoyage du filtre.

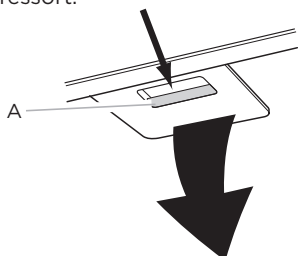
La responsabilité du constructeur ne peut en aucun cas être engagée dans le cas d'un endommagement du moteur ou d'incendie liés à un entretien négligé ou au non respect des consignes de sécurité précédemment mentionnées.

### Filtre à graisse

Il retient les particules de graisse issues de la cuisson.

Le filtre doit être nettoyé une fois par mois avec des détergents non agressifs, à la main ou dans le lave-vaisselle à faibles températures et cycle rapide.

Le lavage du filtre anti-graisse métallique au lave-vaisselle peut en provoquer la décoloration. Toutefois, les caractéristiques de filtrage ne seront en aucun cas modifiées. Pour démonter le filtre anti-graisse, tirer la poignée de décrochement à ressort.



A. Poignée à ressort

### Remplacement de la lampe à DEL

Les lumières DEL sont remplaçables par un technicien de service seulement. Voir les informations de contact de service: "Qui contacter".

### Filtres à charbon

Si le système n'a pas d'évacuation vers l'extérieur, l'air va circuler à travers des filtres à charbon jetables qui vont aider à éliminer fumée et odeurs.

Les filtres à charbon ne doivent pas être nettoyés.

Ils doivent être remplacés.

Les filtres à charbon sont fixés à l'intérieur de chaque filtre anti-graisse ( les instructions de montage sont incluses dans le kit de filtre à charbon ).

Les filtres à charbon doivent être remplacés après 4 à 6 mois en fonction de l'utilisation de la hotte.

**REMARQUE:** NE PAS rincer, ou mettre les filtres à charbon au lave-vaisselle.

**REMARQUE:** Les filtres à charbon NE sont PAS inclus dans la hotte. Ils doivent être commandés chez votre revendeur.

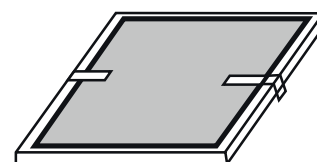
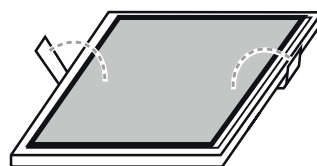
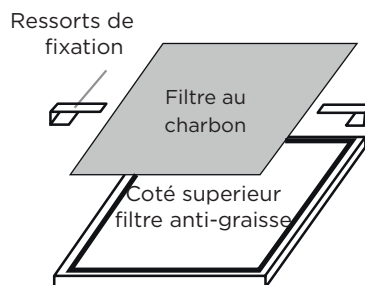
Commander le kit nécessaire en spécifiant votre modèle de hotte et sa largeur.

### Placement du filtre au charbon (Accessoires de recyclage d'air)

Placer le matelas du filtre au charbon sur le côté supérieur de chaque filtre anti-graisse.

Utiliser les ressorts fournis pour le fixer en place.

**REMARQUE:** Lorsque vous le retirerez pour le remplacer par un autre, n'enlever pas les ressorts de fixation, poussez-les simplement et faites-les tourner vers l'extérieur.





# ELICA North America

**GARANTIE DE DEUX ANS**

Enregistrez votre produit sur

**elica.com**

et obtenez une 3<sup>e</sup> année de garantie, qui couvre toutes les pièces en plus de la main-d'œuvre.

## POUR OBTENIR UN DEPANNAGE SOUS GARANTIE

Le propriétaire doit présenter une preuve de la date d'achat. Garder une copie de votre preuve d'achat datée (ticket de caisse) de façon à pouvoir bénéficier du service après-vente sous garantie.

## GARANTIE PIÈCES DE RECHANGE ET MAIN D'OEUVRE

Pendant une période de deux (2) ans à partir de la date d'achat, Elica s'engage à fournir gratuitement les pièces de rechange ou les composants autres que les recharges ayant des défauts de fabrication. Durant cette garantie de deux (2) ans, Elica fournira également gratuitement, toute la main d'oeuvre et le service à domicile pour remplacer d'éventuelles pièces défectueuses.

## CE QUE LA GARANTIE NE COUVRE PAS

- Dégât ou panne du produit causé par un accident ou un cas de force majeure tels que inondation, incendie ou tremblement de terre.
- Dégât ou panne du produit causé par modification du produit ou utilisation de pièces pas d'origine.
- Dégât ou panne du produit causé lors de la livraison, de la manipulation ou de l'installation.
- Dégât ou panne du produit causé par une mauvaise utilisation.
- Dégât ou panne du produit causé par un remplacement des fusibles ou une remise en fonction des disjoncteurs par le propriétaire.
- Dégât ou panne du produit causé par une utilisation du produit pour raison commerciale.
- Déplacement à domicile pour explication d'utilisation ou d'entretien.
- Ampoules, filtres métalliques ou au charbon et toute autre pièce consommable.
- Usure normale.
- Usure due à une mauvaise utilisation du propriétaire, un entretien incorrect, une utilisation de substances nettoyantes corrosives ou abrasives et produits de nettoyage pour four.
- Lorsque le produit n'a pas été utilisé conformément aux instructions d'utilisation qui l'accompagnent.

## QUI EST COUVERT

Cette garantie s'étend à l'acheteur original de produits achetés pour un usage domestique habituel en Amérique du Nord (Y compris Etats Unis, Guam, Porto Rico, les Iles virgins Américaines & le Canada).

Cette garantie n'est pas transférable et vaut uniquement pour l'acheteur original et ne s'étend pas aux propriétaires successifs du produit. Cette garantie vaut expressément en lieu et place de toute autre garantie, expresse ou sous-entendue, mais ne limite pas toute autre garantie sous-entendue de marchandage ou adaptation dans un but particulier et toute autre obligation de la part de Elica North America, étant entendu, cependant, que si la réclamation pour garanties sous-entendues n'est pas applicable aux yeux de la loi en vigueur, la durée de toute garantie sous-entendue émanant de la loi doit être limitée à deux (2) ans à partir de la date d'achat du produit ou à une période plus longue selon ce que dit la loi en vigueur.

Cette garantie ne couvre pas tout dégât particulier, accidentel et/ou consécutif, ni les pertes et profits, à charge du propriétaire, des ses clients et/ou des utilisateurs Des produits.

## QUI CONTACTER

Pour obtenir un Service Après-vente durant la Garantie ou pour toute autre Question liée au Service Après-vente: Appeler:

- **USA & CANADA - Provinces de l'Ouest**  
**SERVICE POWER**  
888 732 8018  
elica@servicepower.com
- **CANADA - Province de l'Ontario**  
**AGI Services**  
888 651 2534  
service@agintl.qc.ca
- **CANADA - Québec et provinces de l'Atlantique**  
**Ateliers G. Paquette**  
800 463 0119  
service@ateliersgpaquette.com

Pour garantir un service après-vente rapide, quand vous téléphonerez nous vous prions de bien vouloir donner les informations suivantes, qui sont indiquées sur la plaque signalétique qui se trouve à l'intérieur de la hotte: **modèle, 12 NC et date d'achat sur votre facture originale**. Pour accéder à la plaque signalétique, il vous suffit d'enlever les filtres graisse.

**12NC:** \_\_\_\_\_

**Modèle:** \_\_\_\_\_

**N° de série:** \_\_\_\_\_

**Date d'achat sur votre facture originale:** \_\_\_\_\_

Aviso de Seguridad Importante .....	25
Requisitos eléctricos y de instalación .....	26
Dimensiones del producto .....	26
Lista de materiales.....	27
Piezas no suministradas.....	27
Métodos de ventilación .....	27
Recirculación (sin conducto de descarga).....	27
Descarga horizontal .....	27
Descarga vertical.....	28
Instalación- Versión con ductos .....	28
Conexión eléctrica.....	31
Complete la instalación .....	31
Descripción de la campana.....	32
Control.....	32
Sistema de reducción de CFM .....	32
Mantenimiento .....	33

**APROBADO PARA APARATOS DE USO DOMÉSTICO  
SÓLO PARA USO DOMÉSTICO  
LEA Y GUARDE ESTAS INSTRUCCIONES**

**ANTES DE CONTINUAR, LEA LAS INSTRUCCIONES POR COMPLETO.  
LA INSTALACIÓN DEBE CUMPLIR TODA LA NORMATIVA LOCAL.**

**IMPORTANTE:** Guarde estas instrucciones para su uso por parte del inspector de electricidad local.

**INSTALADOR:** Entregue al propietario estas instrucciones junto con la unidad.

**PROPIETARIO:** Conserve estas instrucciones para futuras consultas.

**Advertencia de seguridad:** Antes de realizar el cableado de este aparato, desactive el circuito de energía eléctrica en el panel de servicio y desbloquee el panel.

**Requisito:** Circuito auxiliar de 120 V~, 60 Hz. 15 ó 20 A, 375 W.

CAMPANA EXTRACTORA

Marca: ELICA

Modelos: EBL430S2, EBL436S2

Contenido: 1 pza

Hecho en México

Fabricado por: ELICAMEX S.A. de C.V.

Dirección: Av. La Noria (Prolongación) No. 102,

Col. Ampliación Parque Industrial Querétaro

Santa Rosa Jáuregui, C.P. 76215, Querétaro, México.

R.F.C. ELI060102RK8





**PRECAUCIÓN** SÓLO PARA USO GENERAL DE VENTILACIÓN. NO UTILIZAR PARA EVACUAR MATERIALES Y VAPORES PELIGROSOS O EXPLOSIVOS.

**ADVERTENCIA:** PARA REDUCIR EL RIESGO DE INCENDIO, DESCARGA ELÉCTRICA O LESIONES A LAS PERSONAS, OBSERVE LO SIGUIENTE:

a) Utilice esta unidad sólo de la manera indicada por el fabricante. Si tiene alguna duda, póngase en contacto con el fabricante.

b) Antes de reparar o limpiar la unidad, desconecte la alimentación en el panel de servicio y bloquee los medios de desconexión del servicio para evitar que la alimentación se conecte accidentalmente. Si no es posible bloquear los medios de desconexión del servicio, fije firmemente un dispositivo de advertencia visible, como una etiqueta, al panel de servicio.

**ADVERTENCIA:** PARA REDUCIR EL RIESGO DE INCENDIO, DESCARGA ELÉCTRICA O LESIONES PERSONALES, OBSERVE LO SIGUIENTE:

a) Los trabajos de instalación y el cableado eléctrico deben ser realizados por personal(es) cualificado(s) de acuerdo con todos los códigos y normas aplicables, incluida la construcción resistente al fuego.

b) Se necesita aire suficiente para que la combustión y la evacuación de gases a través del conducto de humos (chimenea) de los equipos de combustión de combustible sean correctas, a fin de evitar corrientes de retorno. Siga las directrices del fabricante del equipo de calefacción y las normas de seguridad, como las publicadas por la National Fire Protection Association (NFPA) y la American Society for Heating, Refrigeration and Air Conditioning Engineers (ASHRAE), y las autoridades locales competentes.

c) Al cortar o perforar la pared o el techo, no dañe el cableado eléctrico ni otros servicios ocultos.

d) Los ventiladores con conductos deben ventilarse siempre al exterior.

**PRECAUCIÓN:** Para reducir el riesgo de incendio y evacuar correctamente el aire, asegúrese de canalizar el aire hacia el exterior; no ventile el aire de salida en espacios dentro de paredes o techos, áticos o en espacios de arrastre, o garajes.

**ADVERTENCIA:** Para reducir el riesgo de incendio o descarga eléctrica, no utilice este ventilador con ningún dispositivo de control de velocidad de estado sólido.

**ADVERTENCIA:** PARA REDUCIR EL RIESGO DE INCENDIO, UTILICE ÚNICAMENTE CONDUCTOS METÁLICOS.

NOTA: Antes de cualquier operación de limpieza o mantenimiento, desconecte la campana de la red eléctrica retirando el enchufe o desconectando la alimentación eléctrica.

**ADVERTENCIA:** PARA REDUCIR EL RIESGO DE INCENDIO POR GRASA EN LA ENCIMERA:

a) No deje nunca desatendidas las unidades de superficie a fuego alto. Los hervores provocan humos y salpicaduras de grasa que pueden inflamarse. Caliente los aceites lentamente a temperatura baja o media.

b) Encienda siempre la campana cuando cocine a fuego alto o cuando flamee alimentos (por ejemplo, Crepes Suzette, Cherries Jubilee, Peppercorn Beef Flambe').  
c) Limpie los ventiladores con frecuencia. No permita que se acumule grasa en el ventilador o en el filtro.

d) Utilice ollas de tamaño adecuado. Utilice siempre utensilios de cocina apropiados para el tamaño del elemento de superficie.

**NOTA:** Utilice siempre guantes de trabajo para todas las operaciones de instalación y mantenimiento

**ADVERTENCIA:** Para reducir el riesgo de incendio y descarga eléctrica, instale esta campana sólo con modelos de soplador remoto con la clasificación máxima (corriente y/o caballos de fuerza) o sopladores integrales fabricados por (nombre del fabricante), modelo(s) (nombre del aparato).Nota: a Clasificación máxima recomendada del soplador remoto.

**ADVERTENCIA:** PARA REDUCIR EL RIESGO DE LESIONES A LAS PERSONAS EN CASO DE INCENDIO DE GRASA EN LA PARTE SUPERIOR DE LA GAMA, OBSERVE LO SIGUIENTE:a

a) APAGUE LAS LLAMAS con una tapa hermética, una bandeja para galletas o una bandeja metálica y, a continuación, apague el quemador. TENGA CUIDADO PARA EVITAR QUEMADURAS. Si las llamas no se apagan inmediatamente, EVACÚE Y LLAME AL DEPARTAMENTO DE BOMBEROS.

b) NUNCA RECOJA UNA SARTÉN EN LLAMAS - Puede quemarse.

c) NO UTILICE AGUA, ni paños de cocina o toallas mojados - se producirá una violenta explosión de vapor.

d) Utilice un extintor SÓLO si:Sabe que tiene un extintor de la clase ABC y ya sabe cómo utilizarlo.El fuego es pequeño y está contenido en la zona donde se inició.Se está llamando a los bomberos.Puede combatir el fuego de espaldas a una salida.  
aBasado en "Kitchen Fire Safety Tips" publicado por la NFPA.

**NOTA:** Este aparato no está diseñado para ser utilizado por personas (incluidos niños) con capacidades físicas, sensoriales o mentales reducidas, o con falta de experiencia y conocimientos, a menos que hayan recibido supervisión o instrucciones sobre el uso del aparato por parte de una persona responsable de su seguridad.

**NOTA:** Los niños deben ser supervisados para asegurarse de que no juegan con el aparato.

- Use esta unidad de la manera para la que fue diseñada por el fabricante. Si tiene preguntas, póngase en contacto con el fabricante.
- Electrodoméstico diseñado exclusivamente para su uso en interiores.
- Antes de dar servicio o limpiar la unidad, apague el suministro de energía en el panel de servicio y bloquee los medios de desconexión del servicio para evitar que se encienda accidentalmente el suministro de energía. Cuando el medio de desconexión del servicio no se pueda bloquear, sujete de manera segura un dispositivo de advertencia prominente, como podría ser una etiqueta, al panel de servicio.
- Limpie la unidad de acuerdo a las instrucciones descritas en este manual para evitar riesgo de incendio.
- El trabajo de instalación y cableado se debe llevar a cabo por una persona(s) calificada(s), en conformidad con todos los códigos y estándares aplicables, incluyendo construcciones clasificadas como resistentes al fuego.
- En caso de que su cable de alimentación llegase a sufrir un daño parcial o total no trate de repararlo acuda al centro de servicio marcado en su garantía o bien con un técnico especialista para su sustitución.
- Es necesario que haya suficiente aire para la adecuada combustión y ventilación de gases a través del conducto (la chimenea) del equipo que consume combustible, para evitar que ocurra contratiro. Siga la guía y los estándares de seguridad del fabricante del equipo de calefacción.
- Cuando corte o taladre en una pared o techo, no dañe el cableado ni otros servicios públicos.
- Los ventiladores con conductos siempre deben dar salida al aire hacia el exterior.  
**NOTA:** Sólo para versión Aspirante.
- Para usarse solamente en ventilación común. No lo utilice para ventilar materiales y vapores peligrosos o explosivos.
- Sólo use conductos metálicos.

## RECOMENDACIONES GENERALES

- Nunca deje las unidades de superficie sin vigilancia cuando estén en ajustes altos. Los derrames por hervor causan salpicaduras grasosas y humeantes, las cuales pueden encenderse. Caliente los aceites lentamente y con ajustes bajos o medios.
- Siempre ENCIENDA LA CAMPANA cuando cocine.
- Limpie los filtros anti-grasa con frecuencia (al menos cada 2 meses). No permita que se acumule la grasa en el filtro. Aplica para filtros de aluminio.
- Se recomienda cambiar los filtros de carbón cada 6 meses.
- No flamear alimentos bajo la campana de cocina.
- Use cacerolas del tamaño adecuado. Siempre use utensilios de cocción que sean los adecuados para el tamaño del elemento de la superficie.
- Este aparato no se destina para utilizarse por personas (incluyendo niños) cuyas capacidades físicas, sensoriales o mentales sean diferentes o estén reducidas o carezcan de experiencia o conocimiento a menos que dichas personas reciban supervisión o capacitación del funcionamiento del aparato por una persona responsable de su seguridad.
- Los niños deben supervisarse para asegurar que ellos no empleen los aparatos como juguete.
- No use el ventilador de la campana con ningún dispositivo semiconductor para el control de la velocidad.

### IMPORTANTE

Cumpla todas las normativas y ordenanzas gubernamentales. Es responsabilidad del cliente:

- Ponerse en contacto con un instalador eléctrico cualificado.
- Asegurarse de que la instalación eléctrica es adecuada y en conformidad con National Electrical Code, ANSI/NFPA 70 (última edición\*) o CSA Standards C22.1-94, Canadian Electrical Code, Parte 1 y C22.2 No.0-M91 (última edición\*) y toda la normativa y las ordenanzas locales.
- Si la normativa lo permite y se utiliza un cable de toma a tierra independiente, se recomienda que un electricista cualificado determine si la difracción de onda de tierra es la adecuada.
- No ubique la toma a tierra en una tubería de gas.
- Si no está seguro de que la campana está correctamente conectada a tierra, consulte a un electricista cualificado.
- No coloque ningún fusible en el circuito neutral o con vuelta por tierra.

### IMPORTANTE

- Guarde las instrucciones de instalación para su uso por parte del inspector de electricidad.
- La campana debe estar conectada únicamente con hilo de cobre.
- La campana debe estar conectada directamente al desconectador con fusible (o disyuntor) mediante canal metálico de cables eléctricos.
- Los tamaños de cable deben cumplir los requisitos de la National Electrical Code, ANSI/NFPA 70 (última edición\*) o CSA Standards C22.1-94, Canadian Electrical Code, Parte 1 y C22.2 No.0-M91 (última edición\*) y toda la normativa y las ordenanzas locales.
- Es preciso colocar un conector de canal de cables enumerado en U.L. o C.S.A. en cada extremo del canal de cables de fuente de alimentación (en la campana y en la caja de conexiones).

Se pueden obtener copias de los estándares enumerados en:  
 \* National Fire Protection Association Batterymarch Park Quincy, Massachusetts 02269  
 \*\* CSA International 8501 East Pleasant Valley Road Cleveland, Ohio 44131-5575

### ANTES DE INSTALAR LA CAMPANA

- 1 Para obtener una circulación del flujo de aire más eficaz, utilice un tubo de tramo recto o el menor número posible de tubos acodados.

**PRECAUCIÓN:** el conducto de ventilación solamente debe

tener salida hacia la parte exterior del edificio.

- 2 Para realizar la instalación, se necesitan al menos dos personas.
- 3 La campana se ajusta mediante material adecuados para la mayoría de superficies; consulte a un instalador cualificado para comprobar si quedan perfectamente ajustados al armario o a la pared.  
No emplee tubos flexibles.
- 4 Las instalaciones en CONDICIONES CLIMÁTICAS FRÍAS deben tener instalado un regulador de contratiro adicional para minimizar el flujo de aire inverso y una rotura térmica no metálica para minimizar la conducción de temperaturas externas como parte de los tubos. El regulador debe encontrarse en la parte de aire frío de la rotura térmica. La rotura debe estar lo más cerca posible al lugar donde los tubos entran en la parte caliente de la casa.
- 5 Aire limpio: Las normativas locales para edificios pueden requerir el uso de sistemas de aire limpio cuando se utilizan sistemas de ventilación mediante tubos superiores al CFM especificado de movimiento de aire.
- 6 El CFM especificado varía de una zona a otra. Para conocer los requisitos específicos de su zona, consulte a un profesional de HVAC.

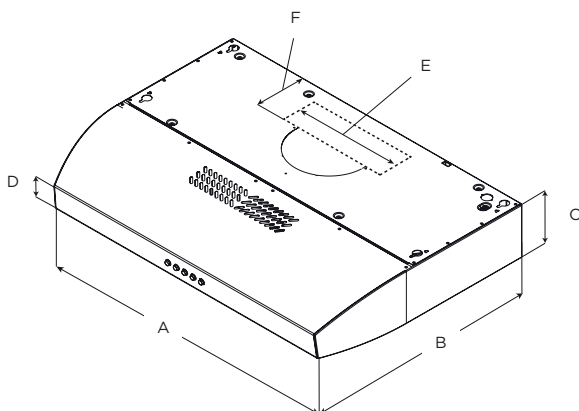
Si está provista de enchufe eléctrico, conecte la campana a una toma de corriente que cumpla con la normativa vigente y colocada en una posición accesible. Cuando no se disponga de enchufe eléctrico (conexión directa a la red eléctrica) o el enchufe no vaya a estar en una posición accesible después de la instalación, coloque un interruptor bipolar homologado en posición accesible que proporcione una desconexión total en condiciones de sobretensión de categoría III, de acuerdo con las normas locales de cableado.

Utilice únicamente kits de conexión de cable de cocina que hayan sido investigados y considerados aceptables para su uso con este modelo de cocina.

a) No haga funcionar ningún ventilador con un cable o enchufe dañado. Deseche el ventilador o devuélvalo a un centro de servicio autorizado para su examen y/o reparación.

b) No pase el cable por debajo de alfombras. No cubra el cable con alfombras, correderas o cubiertas similares. No pase el cable por debajo de muebles o electrodomésticos. Coloque el cable lejos de zonas de tránsito y donde no se pueda tropezar con él.

### Dimensiones del producto



	Modelos	
	EBL430S2	EBL436S2
<b>A</b>	30" (76.2 cm)	36" (91.4 cm)
<b>B</b>	20" (50.8 cm)	
<b>C</b>	4 7/8" (12 cm)	
<b>D</b>	2 5/8" (5.7 cm)	
<b>E</b>	3 1/4" x 10" (8.3 x 25.4 cm)	
<b>F</b>	5 1/8" (13 cm)	

## Lista de materiales

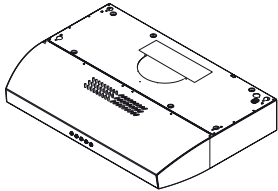

Remoción de la confección

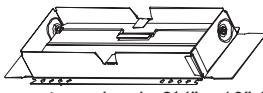

### ⚠ PRECAUCIÓN

Quite la caja cuidadosamente, use guantes para protegerse contra los bordes afilados.

### ⚠ ADVERTENCIA

Quite la película de protección que cubre el producto antes de ponerlo en funcionamiento.

Partes Suministradas	Piezas
 <p>Ensamble de la campana</p>	1
 <p>4.5x13 mm</p>	1

Partes Suministradas	Piezas
 <p>Transición rectangular de 3¼" x 10" (8.3 x 25.4 cm)</p>	4
 <p>3.5x6.5 mm</p>	1

### Piezas no suministradas

#### Herramientas necesarias

- Taladro
- Broca 1¼" (3.0 cm)
- Broca para orificios piloto 18" (3.0 mm)
- Lápiz
- Pinzas para cortar y pelar cable
- Cinta métrica, regla o flexómetro
- Pistola selladora y resanador a prueba de agua
- Destornillador plano
- Destornillador Phillips
- Caladora o sierra
- Tijeras para corte de metal

#### Accesorios opcionales

KIT	# Parte	
	EBL430S2	EBL436S2
<b>Kit Recirculante</b>	KIT02178	KIT02179
<b>Kit de Válvula</b>	KIT02723	
<b>Kit de filtros de grasa</b>	GFO4BE	GFO4BF
<b>Kit de Aire Comprimido</b>	KIT02737B	

## Métodos de ventilación

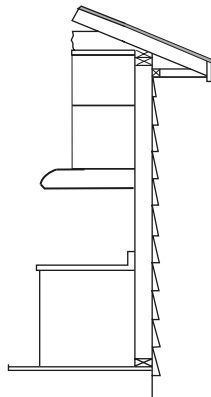
Siga detenidamente las instrucciones expuestas en este manual.

Se declina toda responsabilidad de cualquier inconveniencia, daños o incendios eventuales ocasionados por el incumplimiento de las instrucciones de este manual.

### Recirculación (sin conducto de descarga)

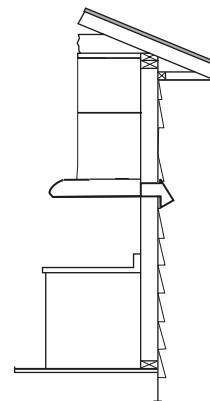
#### NOTA:

Sólo para versión sin tubos (Recirculante): adquiera el kit de conversión sin tubos.

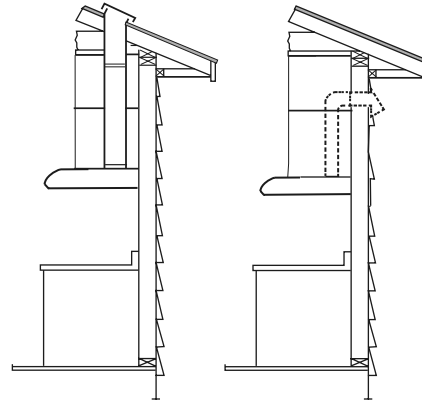


### Descarga horizontal

Usar un conducto rectangular de 3¼" x 10".



Usar un conducto rectangular de 3¼" x 10" o un ducto redondo de 7" (17.8 cm).



**Preparación**

No corte una vigueta o un perno a menos que sea absolutamente necesario. Si fuera necesario efectuar el corte, deberá

construirse un marco de soporte.

Se suministra el material de ajuste necesario para fijar la campana a la mayoría de tipos de muro o techo.

No obstante, un técnico cualificado debe comprobar la idoneidad de los materiales de acuerdo con el tipo de muro o techo.

Antes de efectuar algún corte, asegúrese de que existe el espacio libre adecuado en el techo o muro para la expulsión del aire.

**NOTA**

- Debe haber una ventilación adecuada en el cuarto, cuando la campana de cocina se utiliza al mismo tiempo que los aparatos que consumen gas u otros combustibles. (NO APLICA PARA CAMPANAS QUE UNICAMENTE SON RECIRCULANTES)
- El aire de descarga no debe enviarse a través de un conducto que se utilice para evacuar los humos de los aparatos que consumen gas u otros combustibles. (NO APLICA PARA CAMPANAS QUE UNICAMENTE SON RECIRCULANTES)

**⚠ PRECAUCIÓN**

Para la instalación de estufas de gas: instale esta campana de tal manera que la cornisa inferior se encuentre a 30" (76.2 cm) sobre la superficie de cocción.

Para la instalación de estufas eléctricas/inducción: instale esta campana de tal manera que la cornisa inferior se encuentra a no menos de 25" (65 cm) sobre la superficie de cocción.

No hay una altura máxima de instalación, sin embargo, se recomienda no instalar esta campana a más de 36" (91.4 cm) sobre la superficie de cocción. Por cada pulgada (2.54 cm) superior a 36" (91.4 cm), disminuirá la eficiencia en la captura de humo y humedad, así como el desempeño de ventilación.

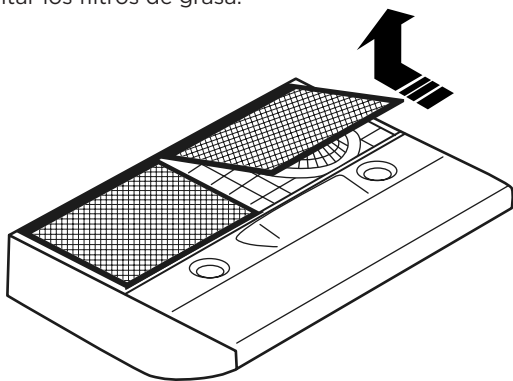
Para uso electrodoméstico.

POR FAVOR, LEA EL MANUAL DE INSTALACIÓN PARA UNA INSTALACIÓN ESPECÍFICA. Antes de seleccionar la campana, compruebe la altura del techo y la altura máxima de la campana.

Instalación- Version con ductos

After having chosen the vent option, proceed as follows:

- 1 Quitar los filtros de grasa.

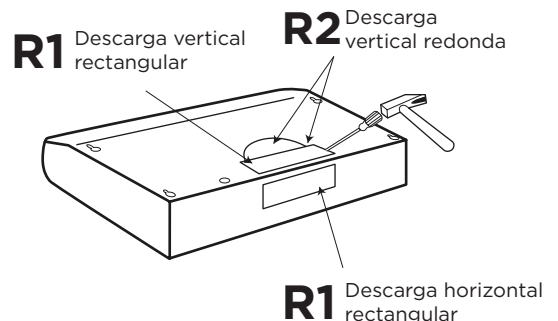


**⚠ ATENCIÓN**

Si se piensa usar la campana en versión de recirculación, no quitar ninguna pieza removible del conducto y pedir el filtro de carbón necesario a su proveedor.

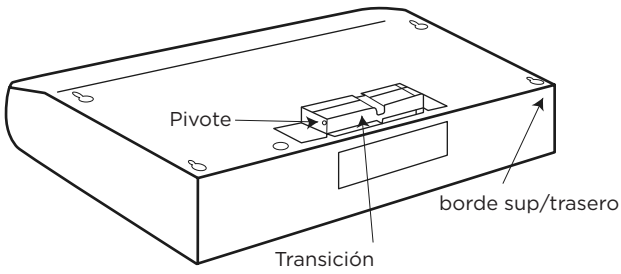
R1 = Quitar sólo las piezas removibles del conducto rectangular.

R2 = Quitar sólo las piezas removibles de los conductos rectangulares y semicirculares.



**Sólo para las instalaciones de descarga con conducto rectangular**

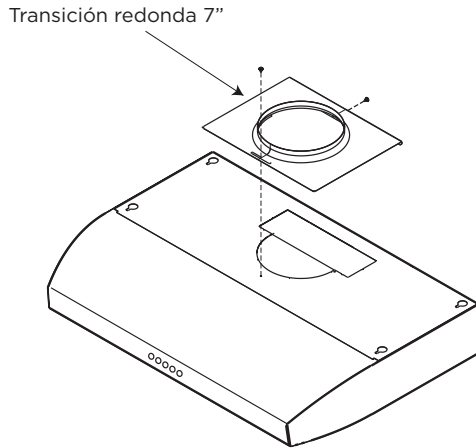
- 1 Retire la envoltura de la transición.
- 2 Instalar la transición rectangular sobre el precorte con 3 - 3.5 x 6.5 mm tornillos.
- 3 Asegúrese que el pivote quede ubicado hacia la parte posterior o superior de la campana.



**Sólo para las instalaciones de descargas de conductos redondos.**

Instale la transición de 7" (17,8 cm) con los tornillos disponibles en el kit (compra por separado, véase la sección de accesorios opcionales y piezas consumibles).

**NOTA:** La transición se puede colocar hasta 1" del centro de la campana para acomodarse a instalaciones descentradas. En instalaciones extremadamente descentradas, un lado de la transición deberá ser recortada para evitar interferencias con la abrazadera del cable.



**Marque y corte la abertura de ventilación**

Utilice la campana como plantilla y marque las ubicaciones en el gabinete para las ranuras de los tornillos de la cerradura. Seleccione la opción de ventilación que requiera su instalación y pase a esa sección.

**Para una instalación sin ventilación (recirculación)**

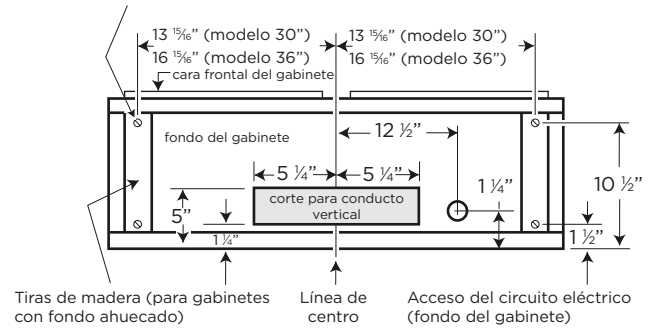
No se necesitan pasos adicionales.

**Extractor superior exterior**

(Conducto vertical - 3¼"x 10" Rectangular)

- 1 Usar el diagrama o la campana como plantilla y marque en el gabinete la ubicación del ducto, cableado eléctrico y puntos de sujeción.

Tornillos de fijación (4)



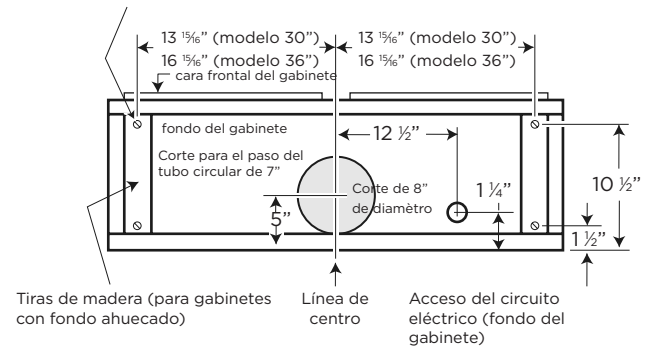
- 2 Utilice una sierra de sable o de ojo de cerradura para cortar una abertura rectangular para la ventilación.

**Extracción superior al exterior**

(Conducto vertical- 7" Redondo)

- 1 Usar el diagrama o la campana como plantilla y marque en el gabinete la ubicación del ducto, cableado eléctrico y puntos de sujeción.

Tornillos de fijación (4)

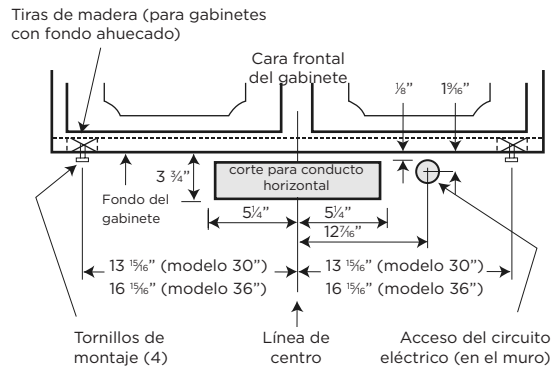


- 2 Utilice una sierra de sable o de ojo de cerradura para cortar una abertura redonda para la ventilación.

**Extracción posterior al exterior**

(Conducto Horizontal 3¼"x 10" rectangular)

- 1 Usar el diagrama o la campana como plantilla y marque en el gabinete la ubicación del ducto, cableado eléctrico y puntos de sujeción.



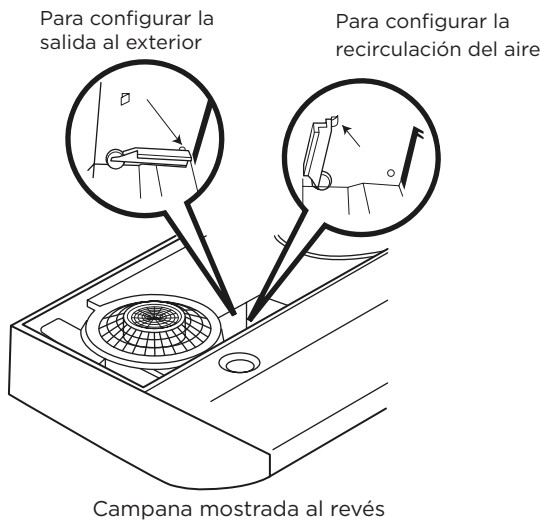


### Escoger la opción de descarga:

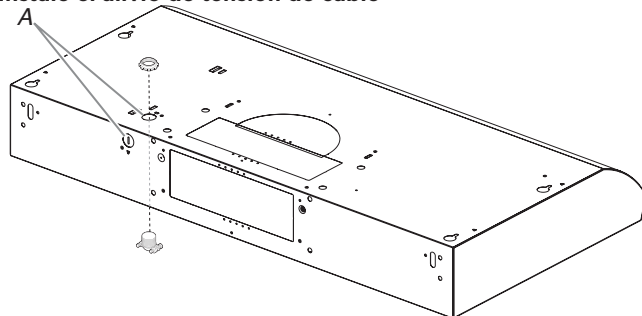
La campana puede ser ajustada para dar salida hacia afuera o hacer circular el aire en la cocina.

La palanca plástica de salida de ventilación se localiza cerca del centro de la abertura de la campana. Para la descarga al exterior, asegurarse que la palanca plástica de salida de ventilación esté en la posición HORIZONTAL (orientada hacia el panel de lámparas) Para recircular el aire en la cocina, asegurarse que la palanca plástica de salida de ventilación esté en la posición VERTICAL (orientada hacia la cubierta plástica del motor).

**NOTA:** Para mover la palanca de ventilación, necesitará jalarla un poco hacia fuera para que libere las lengüetas plásticas.



### Instale el alivio de tensión de cable

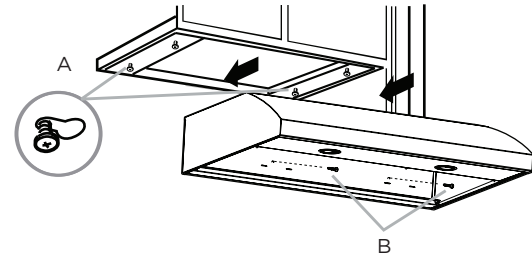


Instale un alivio de tensión de cable (A) de 1/2" (13 mm) aprobado por UL / CSA.

### Montaje de la Campana

- 1 Entre 2 o más personas, levante la campana hasta la posición final. Pase suficiente cable eléctrico a través del alivio de tensión de cable de 1/2" listado por UL o aprobado por CSA para hacer las conexiones en la caja de terminales. Apriete los tornillos del protector de cables.
- 2 Coloque la campana extractora de modo que el extremo grande de las ranuras de la cerradura quede sobre los tornillos de montaje. Luego empuje la campana hacia la pared de modo que los tornillos queden en el cuello de las ranuras. Instale los tornillos de montaje de 0.5 cm x 4.5 cm en los anclajes para paneles de yeso.

- 2 Coloque la campana extractora de manera que el extremo grande de las ranuras de la cerradura esté sobre los tornillos de montaje. A continuación, empuje la campana hacia la pared para que los tornillos queden en el cuello de las ranuras. Instale los tornillos de montaje de 0,5 cm x 4,5 cm en los anclajes de pared seca.



A. Tornillos de montaje (4)  
B. Tornillos de seguridad

- 3 Apriete los tornillos de montaje, asegurándose de que los tornillos estén en el cuello estrecho de las ranuras.
- 4 Apriete los tornillos de seguridad a la pared.
- 5 Para instalaciones de cableado directo, instale el cable de suministro eléctrico doméstico de acuerdo con el Código Eléctrico Nacional o las normas CSA y los códigos y ordenanzas locales. Debe haber suficiente cableado desde la caja de desconexión con fusible (o disyuntor) para realizar la conexión en la caja de terminales eléctricos de la campana extractora.

**NOTA:** No vuelva a conectar la energía hasta que la instalación esté completa.

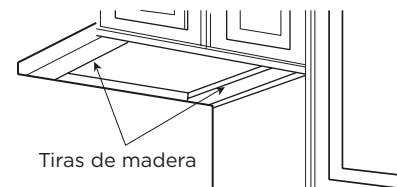
**OPCIONAL:** Si lo prefiere, doble las lengüetas traseras contra la parte trasera de la campana extractora y fíjelas a la pared con tornillos de cabeza #8-18 x 5/8" (4,2 x 16 mm).

### Conecte el Sistema de Ventilación

- 1 Conecte el trabajo de ventilación a la campana extractora.
- 2 Selle las juntas con abrazaderas de ventilación o cinta adhesiva para asegurarlas y que sean herméticas.
- 3 Compruebe que las transiciones de contracorriente funcionen correctamente.

### Sólo para gabinetes huecos

- 1 Si los gabinetes tienen perfiles frontales, laterales o posteriores, hacer 2 soportes de madera con el ancho del perfil y ensámblelos a ambos lados de la parte inferior del gabinete. Ver las figuras anteriores para marcar los puntos de instalación.



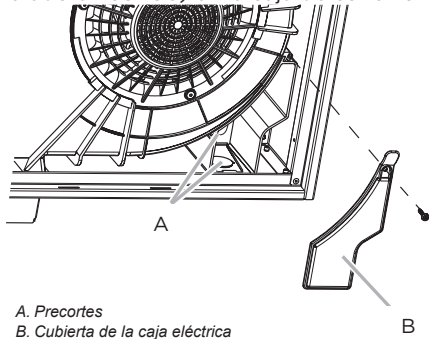
- 2 Cortar los agujeros en los puntos marcados para el conducto y la instalación eléctrica. Para el conducto vertical, recorte 3/4" extra hacia el frente del gabinete para poder mover el conducto libremente al instalar la campana. Al mismo tiempo facilita la instalación cortando el agujero a 10 1/2" en vez de 10.
- 3 Atornillar un tornillo de montaje parcialmente en el centro de la parte angosta de los orificios de instalación marcados en la parte inferior del gabinete.
- 4 Fije el cableado de la casa a la campana.
- 5 Deslice la campana hacia la pared. Apriete los tornillos de montaje, asegúrese que la cabeza de los tornillos estén en la parte angosta de los orificios de instalación. Conecte el ducto a la campana.

**⚠ ADVERTENCIA**

PELIGRO DE DESCARGA ELÉCTRICA.

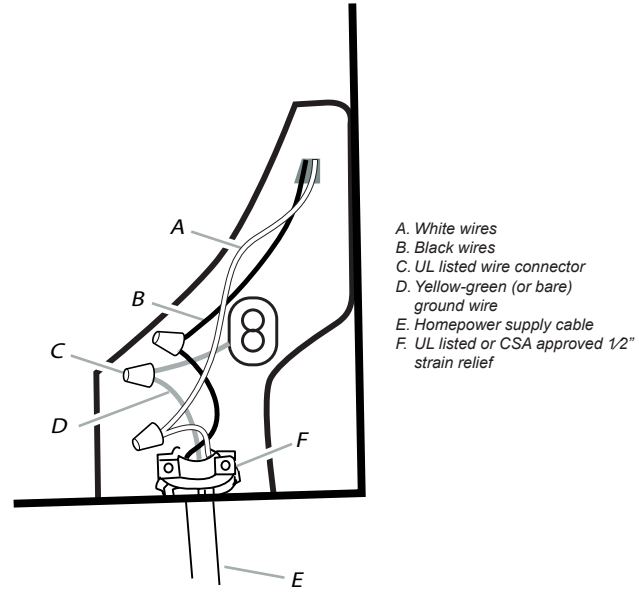
DESCONECTE LA ALIMENTACIÓN ANTES DE REALIZAR EL MANTENIMIENTO. SUSTITUYA TODAS LAS PIEZAS Y PANELES ANTES DE PONERLO EN FUNCIONAMIENTO. EL NO HACERLO PUEDE PROVOCAR LA MUERTE O UNA DESCARGA ELÉCTRICA.

- 1 Retire el pestillo extraíble y la tapa de la caja de conexiones e instale el conector de canal de cables (enumerado en cULUS) en la caja de conexiones.



A. Precortes  
B. Cubierta de la caja eléctrica

- 2 Coloque los 3 cables (Negro, blanco y verde) de acuerdo con el National Electrical Code y la normativa y las ordenanzas locales en el canal de cables de 1/2" del panel del servicio a la caja de conexiones.



A. White wires  
B. Black wires  
C. UL listed wire connector  
D. Yellow-green (or bare) ground wire  
E. Homepower supply cable  
F. UL listed or CSA approved 1/2" strain relief

**⚠ ADVERTENCIA**

CONECTE A TIERRA ELÉCTRICAMENTE EL SOPLADOR. CONECTE EL CABLE DE TIERRA A LOS CABLES DE TIERRA VERDE Y AMARILLO DE LA CAJA DE TERMINALES. EL NO HACERLO PUEDE PROVOCAR LA MUERTE O UNA DESCARGA ELÉCTRICA.

- 3 Conecte el cable negro del panel de servicio al cable negro o rojo de la caja de conexiones, el cable blanco al blanco y el verde al verde-amarillo.
- 4 Cierre la tapa de la caja de conexiones.

Complete la instalación

Vuelva a colocar los filtros.

Verifique el funcionamiento de la campana.

**Si la campana extractora no funciona:**

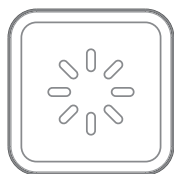
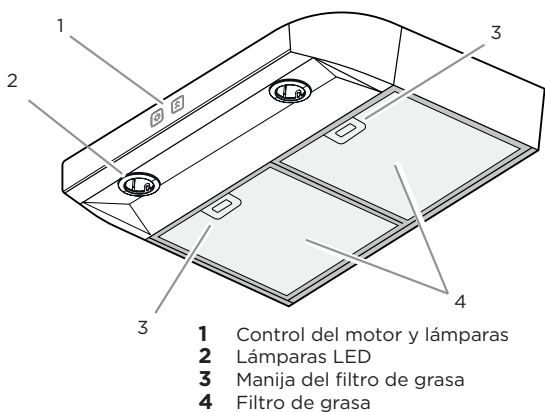
- Compruebe si el disyuntor está desconectado o se han fundido los fusibles.
- Desconecte el suministro eléctrico. Compruebe si el cableado es correcto.

Para conseguir el funcionamiento más eficaz de la nueva campana extractora, lea la sección "Mantenimiento".

Para disponer de una referencia sencilla, siga las Instrucciones de instalación y la Guía de uso y mantenimiento.



## Descripción de la campana



A



B

A. Botón de la luz  
B. Botón del motor

### Funcionamiento de los controles

Cuenta con control táctil sin necesidad de hacer presión a los botones

### Funcionamiento de la luz

El botón de encendido/apagado de la luz (A) controla ambas luces.



Pulse una vez para encender la luz suave y el icono del sol del botón se iluminará con la mitad inferior del borde ligeramente.



Pulse de nuevo para la luz normal y el botón se iluminará por completo.



Púlselo una tercera vez para apagar la luz, toda la iluminación del botón se apagará también.

### Funcionamiento del motor



Pulse el botón (B) para encender la campana a baja velocidad, el icono y la esquina inferior derecha del borde del botón se iluminan.



Pulse una segunda vez para velocidad media, el icono y la mitad inferior del borde en el botón se iluminan.



Pulse el botón una tercera vez para activar la tercera velocidad durante cinco minutos (el icono y el borde completos se iluminarán) y, a continuación, pasará automáticamente a la velocidad alta.



Pulse el botón una quinta vez para apagar el motor y las luces del botón.

### Cambiar el color de las luces

Con las luces y el motor apagados, mantenga pulsado el botón de luz durante 3 segundos, ambos botones se iluminarán completamente en el color de luz actual. Los botones se pueden utilizar para seleccionar el color deseado (Luz << botón hacia atrás, botón del soplador hacia adelante >>)

Los colores de luz disponibles son blanco (color por defecto), azul, verde o rojo. Para ajustar el color, elija uno y pulse ambos botones al mismo tiempo.

### Sonido

Para entrar en el modo de sonido, con las luces y el motor apagados pulse ambos botones al mismo tiempo y la esquina superior izquierda del botón de luz se iluminará con luz blanca. Los botones se pueden utilizar para seleccionar el sonido deseado (Luz << botón hacia atrás, botón de soplado hacia adelante >>).

Los sonidos de retroalimentación disponibles son el pitido regular, el pitido suave y el silencio. Al seleccionar el pitido regular y el pitido suave, la campana reproducirá cada sonido. Cuando se selecciona el silencio, la esquina superior izquierda del botón de luz se iluminará con luz roja. Para ajustar el sonido, elija uno y pulse ambos botones al mismo tiempo.

## Sistema de reducción de CFM

### Antes de poner en funcionamiento su campana:

Algunos estados y provincias de los Estados Unidos y Canadá restringen el flujo de aire máximo de las campanas extractoras.

El flujo de aire se mide en pies cúbicos por minuto (CFM). Estos niveles máximos permitidos están detallados en el código local de su área. Por favor, compruebe los códigos locales para saber si es necesario restringir el flujo de aire máximo de su campana. Si su código local exige un nivel de flujo de aire máximo inferior al flujo de aire máximo de esta campana (es decir, 400 CFM), ejecute el procedimiento siguiente para reducir el flujo de aire máximo.

### Con el ventilador y la luz apagados

- Mantenga pulsados ambos botones al mismo tiempo durante 3 segundos, oír un pitido y las luces del icono (sin borde) se iluminarán durante 3 segundos.
- Esta acción desactivará la velocidad 3 y reducirá efectivamente el flujo de aire máximo a > 300 CFM.
- Localice la pegatina de certificación de CFM en el paquete de hardware.
- Este adhesivo proporciona una certificación oficial a su inspector local de que el flujo de aire máximo de esta campana se ha reducido a > 300 CFM.

### Indicadores de saturación del filtro:

A intervalos de tiempo regulares, la campana indica la necesidad de realizar el mantenimiento del filtro.

#### El icono del botón del soplador parpadea (sin borde):

Realice el mantenimiento del filtro de grasa.

#### Parpadeo del botón de la luz (sin borde):

Realice el mantenimiento del filtro de carbón activado.

#### Restablecimiento de los indicadores de saturación del filtro:

Con el soplador apagado pulse y mantenga el botón del soplador durante 3 seg.

#### Activación del indicador de saturación del filtro de carbón activado:

**NOTA:** Esta operación debe realizarse con la campana apagada.

Este indicador está normalmente desactivado; mantenga pulsado el botón del soplador durante 3 seg. para activar la función: el botón parpadea durante 1 seg.

Para desactivar la función, mantenga pulsado el botón del soplador durante 3 segundos, el botón parpadea durante medio segundo.

### Limpieza

La campana debe ser limpiada con frecuencia tanto externamente como internamente (con la misma frecuencia con la que se realiza el mantenimiento de los filtros de grasa). Para la limpieza, utilice un paño impregnado de detergente líquido neutro. No utilice productos que contengan abrasivos. **¡NO UTILICE ALCOHOL!**

### ⚠️ ATENCIÓN:

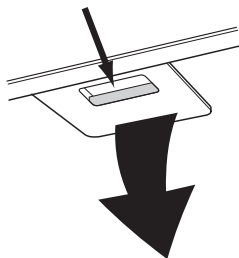
De no observarse las instrucciones dadas para limpiar el aparato y sustituir el filtro, puede producirse un incendio. El fabricante recomienda leerlas y respetarlas atentamente. El fabricante no se hace responsable por los daños al motor o los incendios provocados en el aparato debido a intervenciones de mantenimiento incorrectas o al incumplimiento de las normas de seguridad proporcionadas.

### Filtros de grasa

El filtro de grasa retiene las partículas de grasa producidas cuando se cocina. Debe limpiarse una vez al mes con detergentes no agresivos, manualmente o bien en lavavajillas a bajas temperaturas y con ciclo breve.

Con el lavado en el lavavajilla el filtro antigrasa metálico puede desteñirse pero sus características de filtrado no cambian absolutamente.

Para desmontar el filtro antigrasa, tirar de la manija como se muestra.



A. Manija de liberación por resorte

### Reemplazo de las lámparas LED

Las luces LED son reemplazables sólo por un técnico de servicio. Vea la sección "A quién contactar" para la información de contacto del servicio.



Lámpara LED empotrable	
Potencia asignada	2 x 2.1 W
Potencia máxima	2.5 W
Tensión asignada	3V
Tipo de socket	n/a
Dimensiones	Ø 67 mm x 19.7 mm

### Filtro de carbón

Si el modelo no puede expulsar el aire al exterior, el aire deberá ser filtrado a través de filtros de carbón desechables que ayudan a remover el humos y los olores.

Los filtros de carbón no son lavables.

Deben ser reemplazados.

Los filtros de carbón se montan sobre los filtros de grasa de su campana. Deben ser reemplazados cada 4-6 meses (dependiendo del uso de la campana).

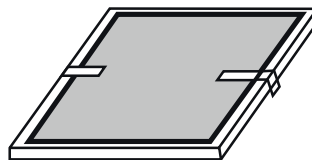
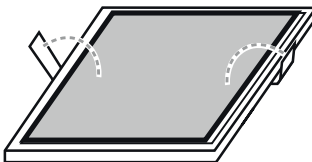
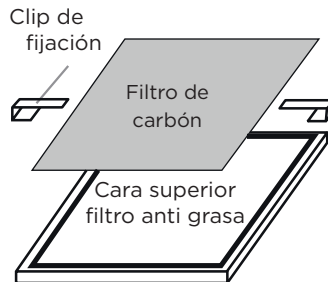
**NOTA:** No enjuagar ni colocar los filtros de carbón en lavavajillas.

**NOTA:** Los filtros de carbón no están incluidos en su campana. Deben ser solicitados a su proveedor.

### Colocación del filtro de carbón (Accesorios Recirculación)

- Posicione el filtro de carbón sobre la parte superior de cada filtro de grasa.
- Use los seguros para ajustarlo en su lugar.

**NOTA:** Cuando se quite para sustituirlo por uno nuevo no quite los seguros, simplemente extraiga uno y rotar hacia fuera.



# ELICA North America

## GARANTÍA LIMITADA DE DOS AÑOS

Registre su producto en

**elica.com**

y gane un 3<sup>er</sup> año de garantía de fábrica que cubre todas las partes además de la mano de obra.

### PARA OBTENER SERVICIO DENTRO DE GARANTÍA

El propietario debe presentar su recibo original de la compra. Guarde por favor una copia de su recibo de compra como prueba, para recibir el servicio dentro del periodo de garantía.

### PARTES Y GARANTÍA DE SERVICIO

Por el periodo de dos (2) años desde la fecha original de la compra, Elica proveerá, gratuitamente, partes no-consumibles o componentes que hayan fallado debido a defectos de fabricación. Durante estos dos (2) años de garantía limitada, Elica también proveerá gratuitamente, todo el servicio en casa y mano de obra necesaria para reemplazar cualquier parte defectuosa.

### QUÉ NO ESTÁ CUBIERTO

- Daños o fallas del producto causados por accidente o actos de Dios, tales como inundaciones incendios o terremotos.
- Daños o fallas causadas por alteración del producto o por el uso de partes no-originales.
- Daños o fallas del producto causados durante la entrega, manejo o instalación.
- Daños o fallas del producto causados por abuso del usuario.
- Daños o fallas del producto causados por reemplazo de fusibles dañados o reseteo de interruptor de circuito.
- Daño o fallas causados por el uso del producto en un ambiente comercial (no doméstico).
- Viajes de servicio para proporcionar orientación de uso o instalación.
- Bombillas, filtros de carbón o metal y cualquier otra parte consumible.
- Desgaste normal.
- Desgaste terminal debido a abusos del usuario, mantenimiento inadecuado, uso de productos / toallas de limpieza corrosivos o abrasivos y por uso de limpiadores para hornos.
- Cuando el producto no hubiese sido operado de acuerdo con el instructivo de uso que se le acompaña.

### QUIÉN ESTÁ CUBIERTO

Esta garantía se extiende al comprador original de productos adquiridos para uso residencial en Norte América (incluyendo Estados Unidos, Guam, Puerto Rico, Islas Vírgenes de EU y Canadá).

Esta garantía no es transferible y aplica solamente al comprador original y no se extiende a propietarios subsecuentes del producto. Esta garantía se expresa en lugar de otras garantías, expresadas o implícitas, incluyendo, pero no limitada a ninguna garantía implícita de comercialización o adaptada para propósitos particulares y cualquier otra obligación por parte de Elica North America, considerando, sin embargo, que si la negación de garantías implícitas es inefectiva bajo la ley aplicable, la duración de cualquier garantía implícita será limitada a dos (2) años desde la fecha original de compra o por el periodo necesario como sea requerido por la ley aplicable.

Esta garantía no cubre cualquier daño especial, incidental y/o consecuente, ni pérdidas de ganancias, sufridas por el comprador original, sus clientes y/o usuarios del producto.

### A QUIÉN CONTACTAR

Para obtener Servicio bajo Garantía o para cualquier pregunta relacionada a Servicio:  
Favor de llamar a:

- **USA & CANADA - Provincias Occidentales**  
**SERVICE POWER**  
888 732 8018  
elica@servicepower.com
- **CANADA - Provincia de Ontario**  
**AGI Services**  
888 651 2534  
service@agintl.qc.ca
- **CANADA - Provincias de Quebec & Atlántico**  
**Ateliers G. Paquette**  
800 463 0119  
service@ateliersgpaquette.com

Para garantizar un rápido servicio postventa, cuando llame le pediremos que amablemente brinde la siguiente información que se indica en la placa de identificación que está dentro de la campana: **modelo de campana, 12 NC y fecha de compra en su factura original**. Para acceder a la placa de identificación, todo lo que tiene que hacer es quitar los filtros de grasa.

**12NC:** \_\_\_\_\_

**Modelo de campana:** \_\_\_\_\_

**No. Serie:** \_\_\_\_\_

**Fecha de compra en su factura original:** \_\_\_\_\_

