



AMERICAN STANDARD

KEEFE™

4/3 OR 3/2 DIVERTER VALVE TRIM



- Alternates water flow between 2 or 3 discrete shower outlets
- 4/3 Port diverter allows for 1 inlet and 3 outlets
- 3/2 Port diverter allows for 1 inlet and 2 outlets
- 1/2" NPT inlets and outlets

CODES AND STANDARDS

Meets or Exceeds ASME A112.18.1/CSA B125.1

AVAILABLE FINISHES

Polished Chrome
Brushed Nickel

FINISH CODE

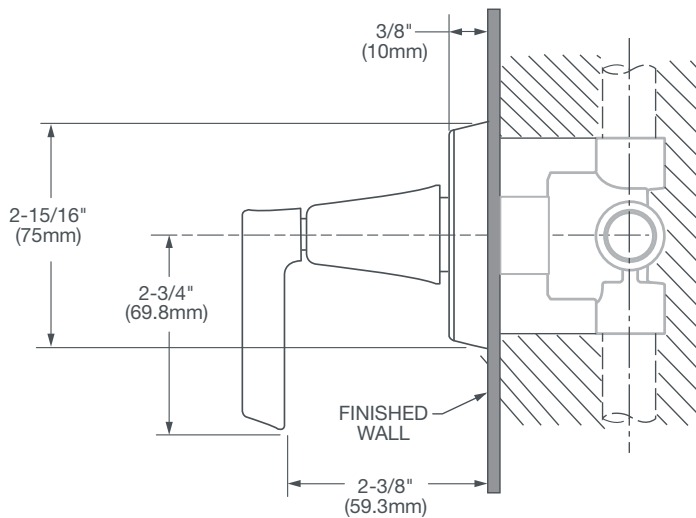
100
144

DESCRIPTION

4/3 or 3/2 Diverter Valve Trim
Rough Only - 3/2 Port Diverter
Rough Only - 4/3 Port Diverter

PRODUCT NUMBER

D35104430.XXX
D35000420.191
D35000430.191



IMPORTANT: These measurements are subject to change or cancellation. No responsibility is assumed for use of superseded or voided pages.



Meets the Americans with Disabilities Act Guidelines and ANSI A117.1 Requirements for the physically challenged.