

# INSTALLATION INSTRUCTIONS



## Byrdcliffe® Bath

Models D02390202, D02391202

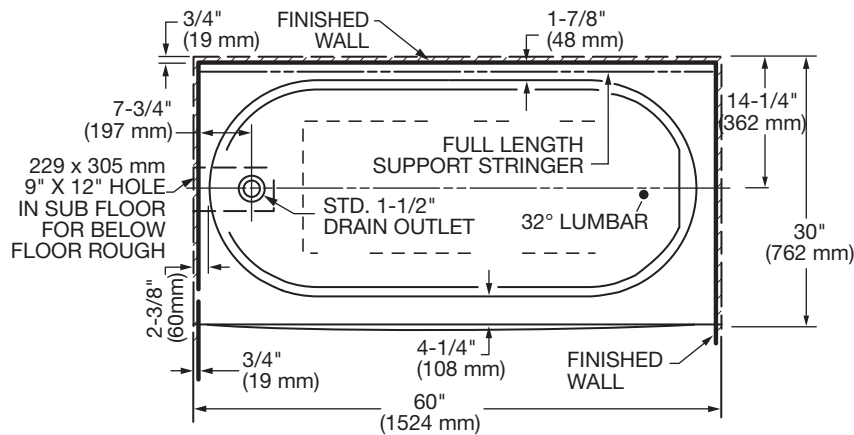
Thank you for selecting DXV. To ensure this product is installed properly, please read these instructions carefully before you begin. (Certain installations may require professional help.) Also be sure your installation conforms to local codes.

**▲ CAUTION: PRODUCT IS FRAGILE. TO AVOID BREAKAGE AND POSSIBLE INJURY HANDLE WITH CARE!**

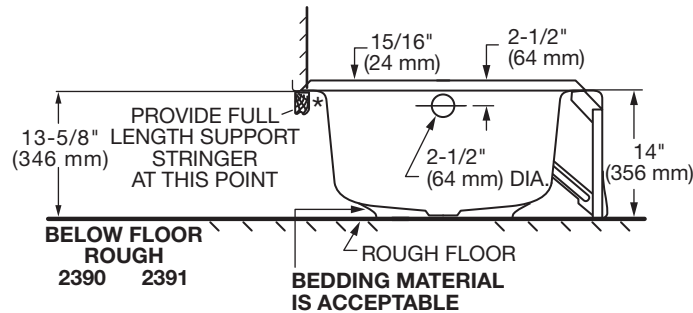
NOTE: Pictures may not exactly define contour of china and components.

**ROUGHING-IN DIMENSIONS:**

- For reference



**LEFT HAND TUB ILLUSTRATED  
RIGHT HAND TUB IS REVERSED**



**\*PLUMBER NOTE: PROVIDE FULL LENGTH SUPPORT STRINGER AT THIS POINT**

**In the United States:**

DXV  
One Centennial Avenue  
Piscataway, New Jersey 08855  
Attention: Director of Customer Care

For residents of the United States, warranty information may also be obtained by calling the following toll free number: (800) 227-2734  
www.DXV.com

**In Canada:**

DXV  
5900 Avebury Road  
Mississauga, Ontario  
L5R 3M3  
Canada

Toll Free: 1-800-387-0369  
Local: 905-306-1093  
Fax: 1-800-395-1498

**In Mexico:**

DXV  
Via Morelos 330  
Col. Santa Clara Coatitla  
Ecatepec, Estado de México 55540

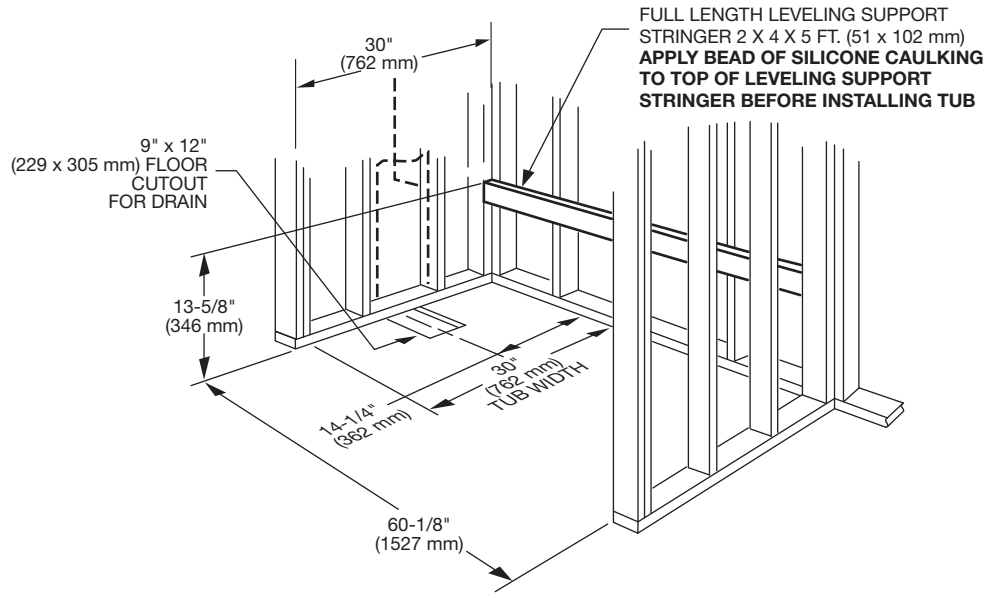
Toll Free: 01-800-8391200  
www.DXV.mx

**PART OF LIXIL**

S A V E F O R F U T U R E U S E

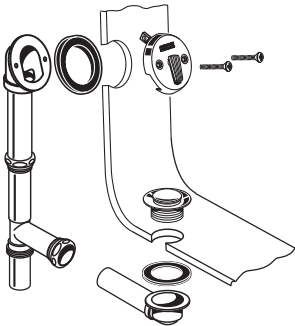
# 1 FRAMING INSTRUCTIONS

Note recess is 60-1/8" x 30" (1527 x 762 mm). Cut a 9" x 12" (229 x 305 mm) hole in sub floor for drain, centered 14-1/4" (362 mm) as shown for below floor rough. Locate studs as required, then ensure rough opening dimensions are proper and supports are plumb and square.



# 2 DRAIN

Install the overflow and drain assembly onto the tub per manufacturer's instructions.

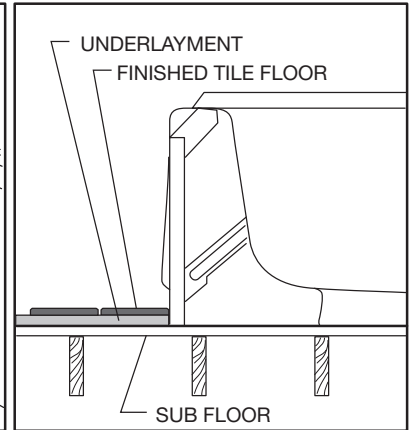
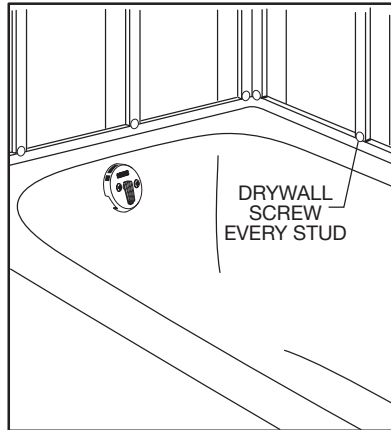


# 3 INSTALLATION - BEDDING MATERIAL (MORTAR, SANDMIX, ETC.) IS ACCEPTABLE SUB FLOOR MUST BE STRUCTURALLY SOUND & FREE OF MOVEMENT / FLEXING

The tub is provided with an integral base for easier installation. Position the bath on the floor and slide into place until the tub is resting on the rear stringer. The base does not need to contact the floor for proper installation. Check level, front to back and side to side. Also check drain clearance hole in sub floor. To secure the tub to wood studs, use sheet rock screws with washers immediately above the flange of the tub. To secure the tub to steel studs, use drywall screws and flat washers. (See Step 4).

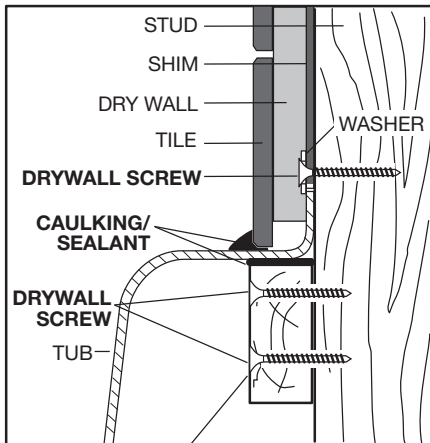
**Caution: Take Extra Care When Driving Screws To Avoid Damaging The Tub.**

The tile or similar finished floor will be butted against the bottom of the tub apron also holding the tub in place.

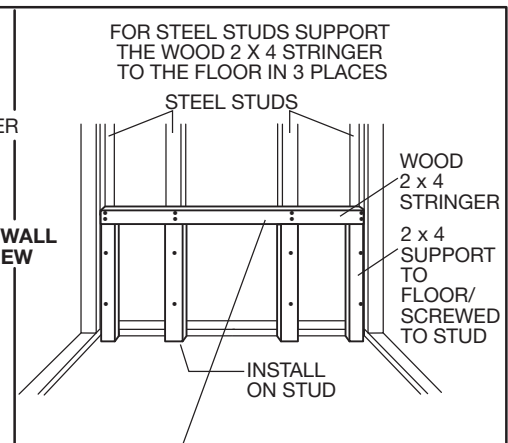
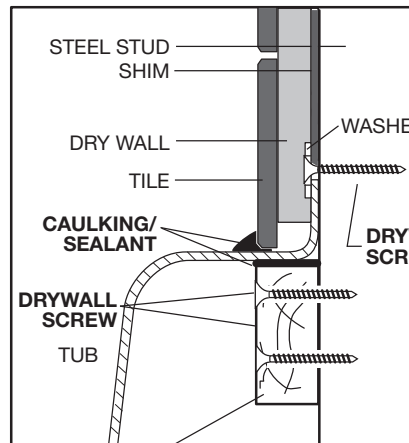


4 Below is shown typical cross sections of the tub rim showing typical wall constructions.

## WOOD STUDS



## STEEL STUDS



51 x 102mm (2 x 4) WOOD STRINGER FULL LENGTH