



WC - Tara.

Tissue holder with cover - polished chrome

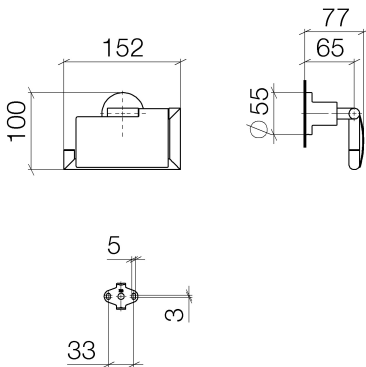
Article number: 83 510 892-00

- Width 6"
- Height 3-7/8"
- Flange diameter 2-1/8"
- 3" Projection



polished chrome

Dimensional drawing



All dimensions in mm / inch = mm x 0,0394



WC - Tara.

Tissue holder with cover - polished chrome

Article number: 83 510 892-00



WC - Tara.

Tissue holder with cover - polished chrome

Article number: 83 510 892-00

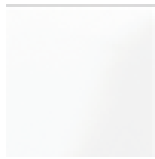
Other surface finishes



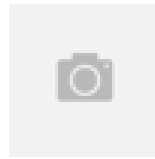
platinum matte
83 510 892-06



platinum
83 510 892-08



white matte
83 510 892-10



Brushed Durabronze
83 510 892-28



black matte
83 510 892-33



Dark Platinum matte
83 510 892-99

More custom finish options are available via special production (xTra Service). Please see our finish matrix for availability and pricing or contact a Dornbracht representative.

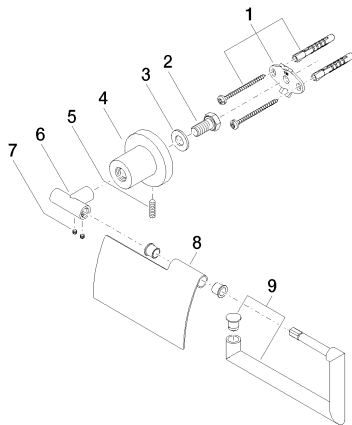


WC - Tara.

Tissue holder with cover - polished chrome

Article number: 83 510 892-00

Spare parts list



Number	Item Number	Designation	Number of units
1	05 17 20 739 00 90	fixing set	1
2	09 30 30 071 90	screw	1
3	09 30 11 046 90	disc	1
4	08 17 89 505-00	holder	1
5	04 31 11 113 00 90	pin	1
6	05 17 89 553 00-00	holder	1
7	09 31 11 038 90	pin	2
8	08 11 02 514-00	lid	1
9	90 28 22 641 00-00	holder	1