



Kitchen - eno

Single-lever mixer with pull-out spout with spray function - polished chrome

Article number: 33 875 760-00 0010



- 8-7/8" Projection
- Swiveling spout 130°
- Laminar and spray function
- Total height 10"
- Height to aerator/spout outlet 7"
- 1-3/8" hole diameter
- 2x 10 mm flexible supply lines including 3/8" US adapters
- 63" metal shower hose
- Water flow rate limited to max. 1.5 gpm
- lead-free
- (ADA)
- Internal backflow preventer.
- Push button locks into spray mode when pressed. To switch back to aerator mode the water must be turned off.



polished chrome

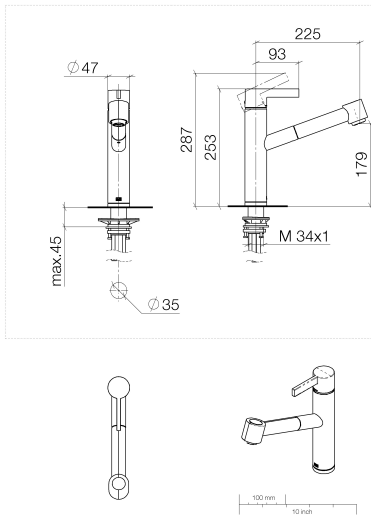


Kitchen - eno

Single-lever mixer with pull-out spout with spray function - polished chrome

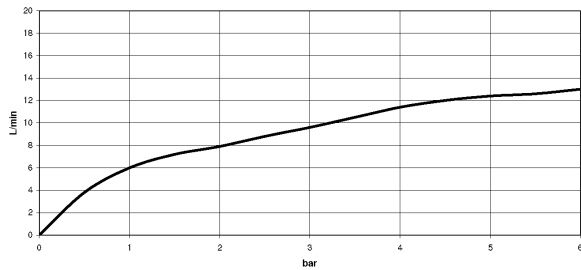
Article number: 33 875 760-00 0010

Dimensional drawing



All dimensions in mm / inch = mm x 0,0394

Flow rate chart





Kitchen - eno

Single-lever mixer with pull-out spout with spray function - polished chrome

Article number: 33 875 760-00 0010

Other surface finishes



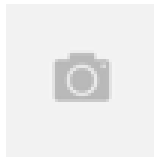
platinum matte

33 875 760-06 0010



platinum

33 875 760-08 0010



Brushed Durabrass

33 875 760-28 0010

More custom finish options are available via special production (xTra Service). Please see our finish matrix for availability and pricing or contact a Dornbracht representative.

Recommended article



10 713 970-00

AIR SWITCH operating button, trim parts only - polished chrome



82 424 970-00

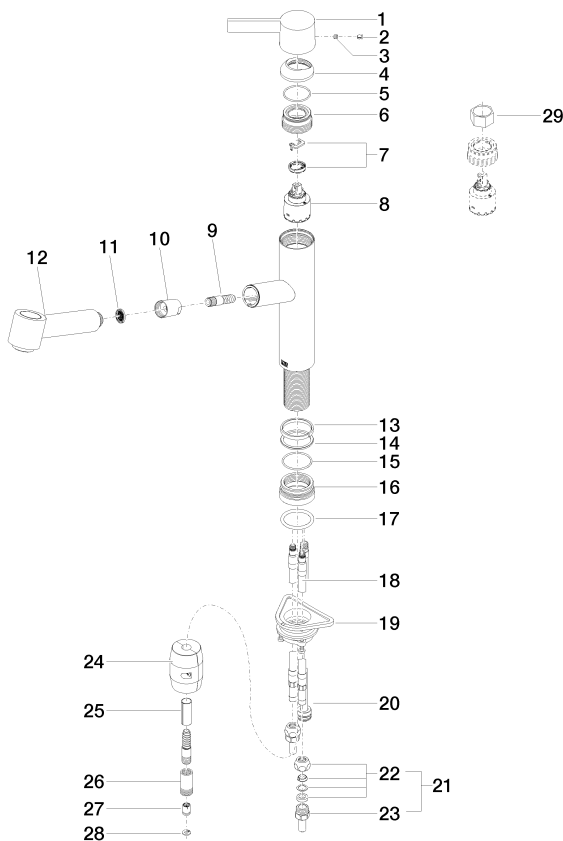
Soap dispenser without flange - polished chrome

Kitchen - eno

Single-lever mixer with pull-out spout with spray function - polished chrome

Article number: 33 875 760-00 0010

Spare parts list



Number	Item Number	Designation	Number of units
1	09 20 76 001-00	handle	1
2	09 31 20 017 90	plug	1
3	09 31 11 030 90	pin	1
4	09 28 30 012-00	cover	1
5	09 14 10 102 90	seal	1
6	09 24 04 270 90	nut	1
7	04 28 10 148 00 90	accessories	1
8	90 15 05 062 00 90	cartridge	1
9	04 30 02 121 00-00	hose	1
10	90 24 03 255 00-00	nut	1
11	09 23 01 039 90	sieve	1
12	04 12 11 098 00-00	shower	1
13	09 14 15 029 90	ring	1
14	09 28 10 144 90	ring	1
15	09 14 10 034 90	seal	1
16	09 27 76 001-00	rosette	1
17	09 14 10 036 90	seal	1
18	04 30 04 098 00 90	hose	2
19	04 30 11 040 00 90	fixing set	1
20	04 28 20 066 00 90	pipe	1
21	04 24 04 222 00-00	adaptor	2
22	04 23 30 031 01-07	threaded connector	2
23	09 24 04 222 10-00	adaptor	2
24	04 21 50 010 00 90	accessories	1
25	09 30 03 038 90	hose	1
26	90 24 03 253 00 90	adaptor	1
27	09 23 01 095 90	back-flow preventer	1
28	09 16 01 023 90	ring	1
29	09 30 09 031 90	key	1