



Product specifications

- automatic hygiene flush
- suitable for thermal disinfection
- adjustable follow-up time
- high-frequency sensors with self-calibration
- magnetic valve
- temperature setting via thermostat
- 100-240 V AC / 12 V DC, 50-60 Hz, 18 W power supply unit, incl. country-specific adapter set

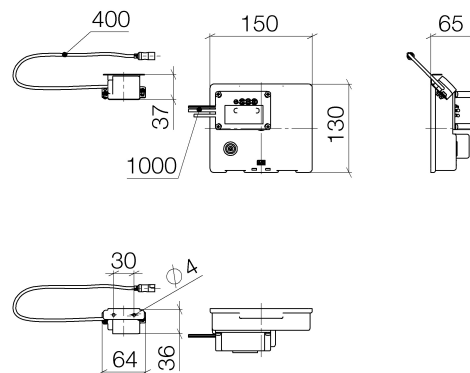
Can be combined with spouts from the Vaia, Lissé, CL.1, IMO, Tara., Tara Logic, Meta.02, Deque, Supernova, Symetrics, LULU and MEM series

Cannot be combined with spouts with a pull-rod pop-up waste.

Please combine with item no. 10 126 970-FF

Not suitable for combination with steel basins.

Other series and finishes on request (x-TRA SERVICE)





Available for delivery from the fourth quarter of 2017.

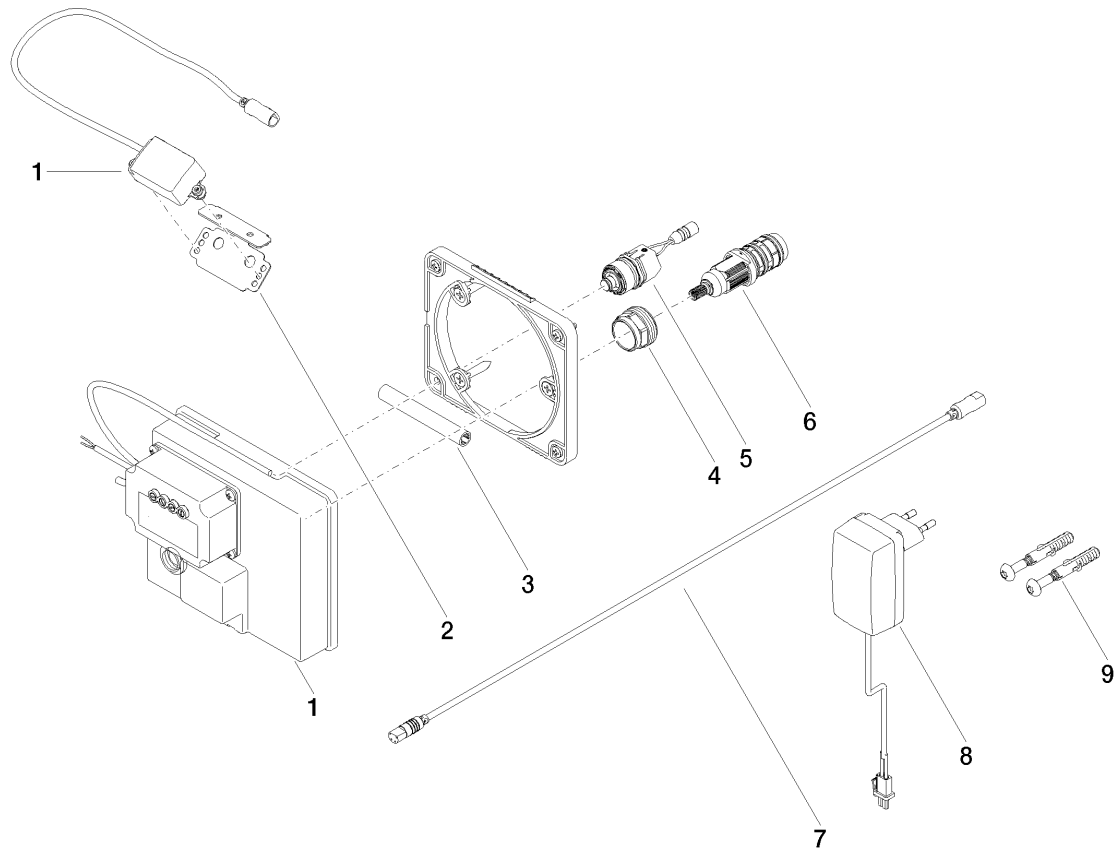
Surfaces

- 4276597090

Accessories required

- eSET TOUCHFREE Basin mixer with temperature setting for combining with free-standing fittings; 35 740 970
- eSET TOUCHFREE Basin mixer with temperature setting for combining with wall-mounted fittings; 35 741 970

Exploded assembly drawing



Order quantity

No.	Article number	Name	Installation quantity
1	9010011770090	electronic accessories	1
2	9017201990090	holder	1
3	09230112490	sleeve	1
4	09231012990	nut	1
5	0430500790090	valve	1
6	9015020120090	cartridge	1
7	1276597090	extension	1
8	0410010500090	electronic accessories	1
9	0430310240190	fixing set	1