



California Faucets®

CHRISTOPHERGRUBB Collection

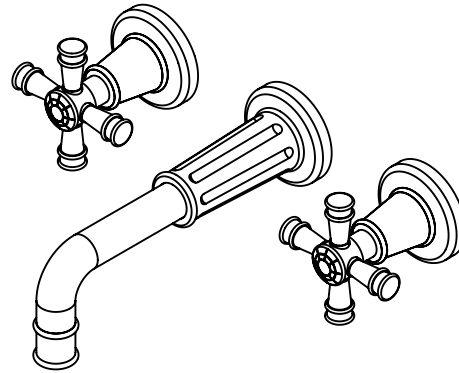
Trousdale™

Wall Lavatory

Features

- Available in 28 finishes including 13 PVD finishes
- All brass construction
- 1.2gpm (4.5 L/min) max flow rate
- Rough valve (VL-R) sold separately

TO-VC102X-7/9 TO-VC102XS-7/9



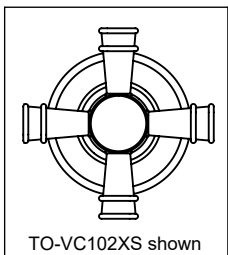
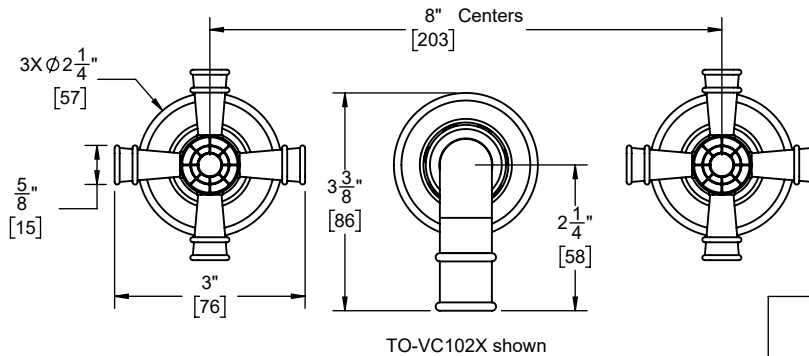
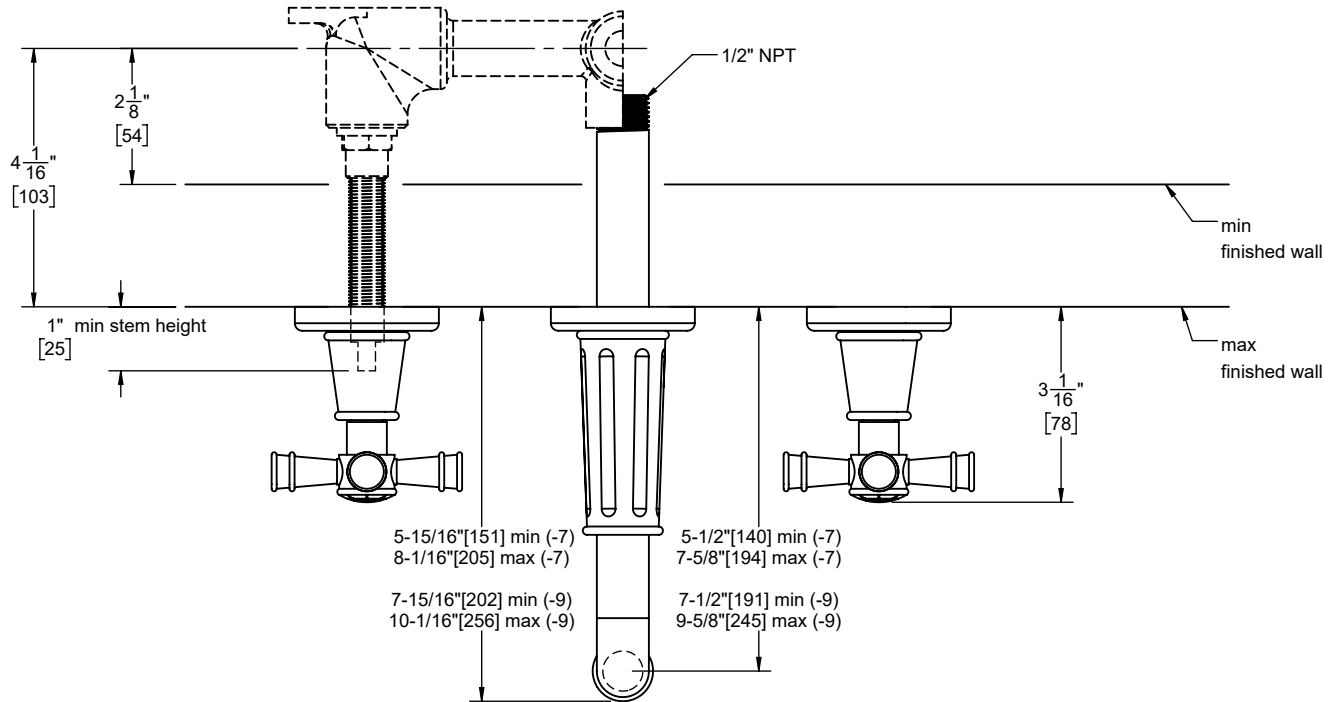
TO-VC102X-7 SHOWN



Codes/Standards Applicable

Product meets or exceeds the following:

- ASME A112.18.1/CSA B125.1
- NSF/ANSI 61 & NSF/ANSI 372
- CEC / DOE
- EPA WaterSense High Efficiency Lavatory
- Commonwealth of MA



TO-VC102XS shown

THROUGH-HOLE SPECIFICATIONS

	MIN	RECOMMENDED	MAX
SPOUT: Ø	15/16" [24]	1-1/4" [32]	1-5/8" [41]
HANDLE: Ø	11/16" [17]	1-1/4" [32]	1-5/8" [41]

Dimensions are inches, rounded to 1/16"
[Dimensions in brackets are mm]

Specifications subject to change without notice