



California Faucets®

# Steampunk Bay®

## SINGLE HOLE LAVATORY FAUCET

### Features

- Over 28 finishes including 13 PVD finishes
- All brass construction
- 1/4 turn ceramic disc mixing cartridge (off-cold-warm-hot)
- Flexible braided hoses for ease of installation
- $\phi$  1-1/4" all brass touch style pop up drain assembly
- 1.2 gpm (4.5 L/min) max flow rate

### Codes/Standards Applicable

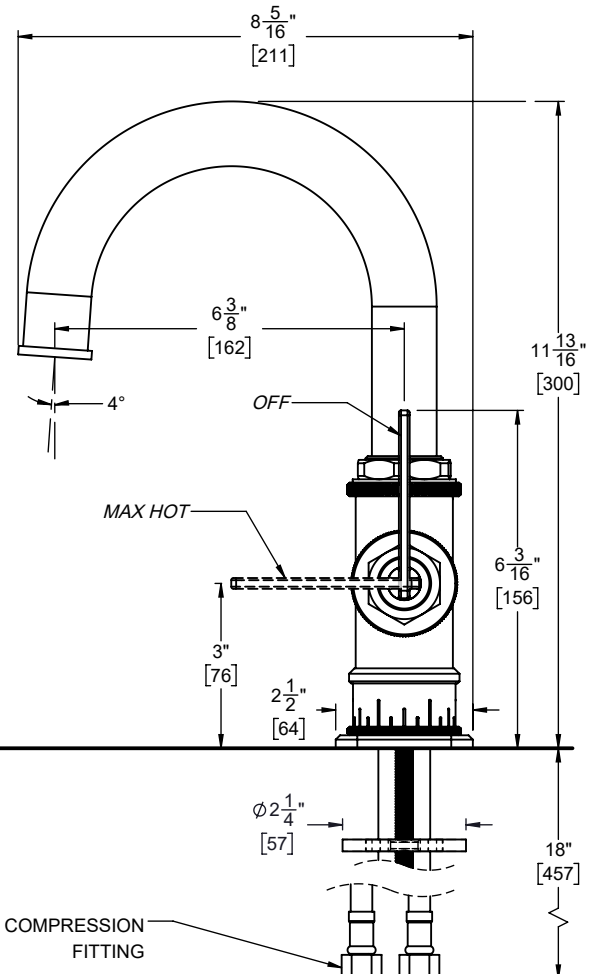
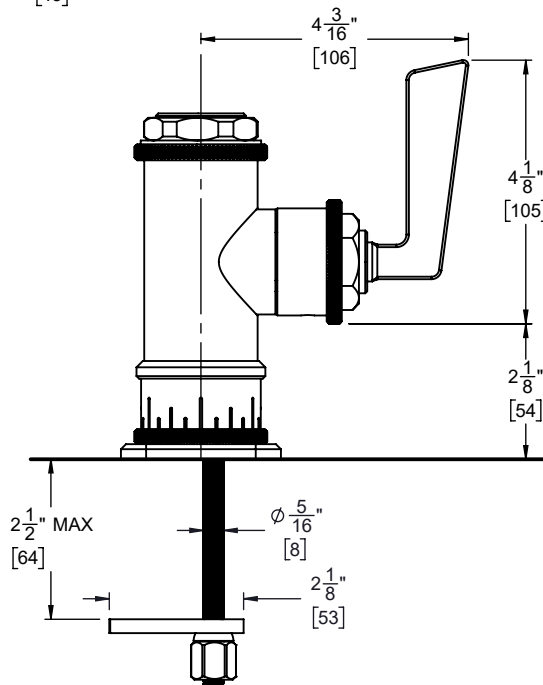
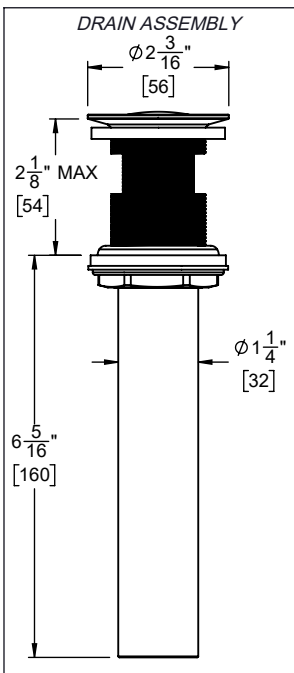
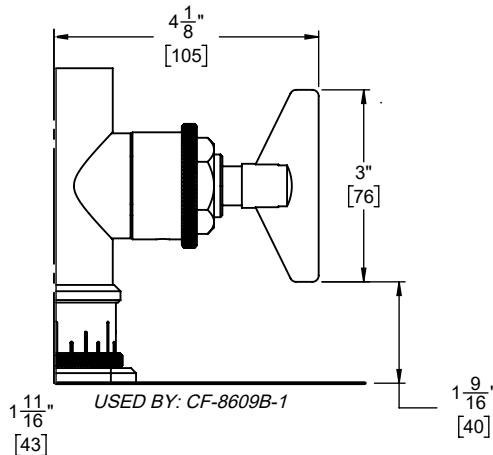
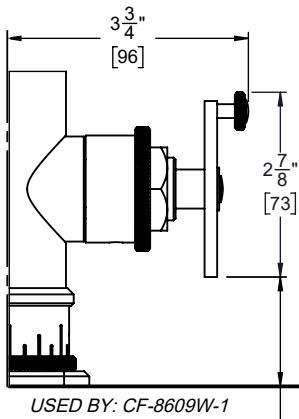
Product meets or exceeds the following:

- ASME A112.18.1/CSA B125.1
- NSF/ANSI 61 & NSF/ANSI 372
- CEC & DOE
- Commonwealth of MA
- EPA WaterSense High Efficiency Lavatory
- ADA compliant (lever handles only)



8609-1 shown

8609-1  
8609W-1  
8609B-1



3/8" COMPRESSION FITTING

### THROUGH-HOLE SPECIFICATIONS

	MIN	RECOMMENDED	MAX
SPOUT:	$\phi$ 1-1/4" [32]	$\phi$ 1-3/8" [35]	$\phi$ 1-3/8" [35]

SPECIFICATIONS SUBJECT TO CHANGE WITHOUT NOTICE

DIMENSIONS SHOWN TO NEAREST 1/16"  
[DIMENSIONS SHOWN TO NEAREST 1mm]