

## In-Wall Vessel Lavatory Faucet Installation Instructions

CALIFORNIA FAUCETS RECOMMENDS THAT ALL PLUMBING PRODUCTS BE INSTALLED BY A LICENSED PROFESSIONAL

**IMPORTANT:** Read all instructions prior to installation and provide copy of instructions to consumer.

**Operating Specifications:**

Recommended Supply Pressure: 20 to 70 psi\*†

Maximum Flow Rate: 1.2 gpm

\* Operating pressures between hot and cold supplies should vary no more than 30 psi.

† If water pressure exceeds 70 psi, install a Pressure-Reducing Valve (PRV).

**I**

### INSTALLING SPOUT TO IN-WALL VALVE

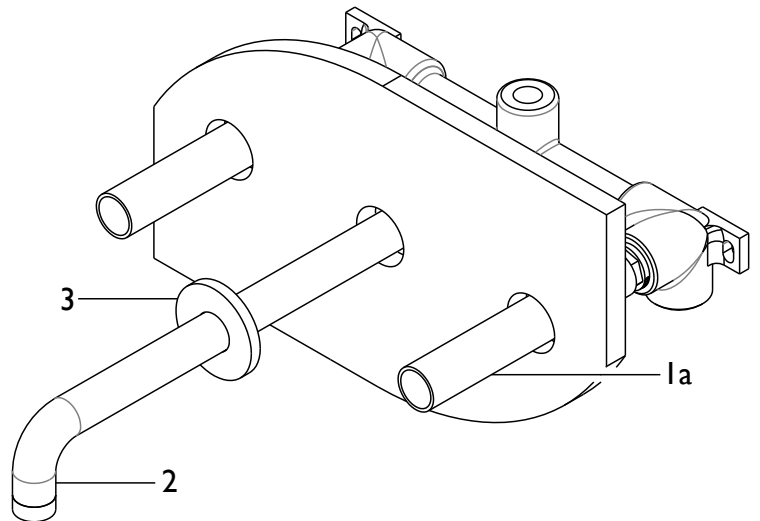
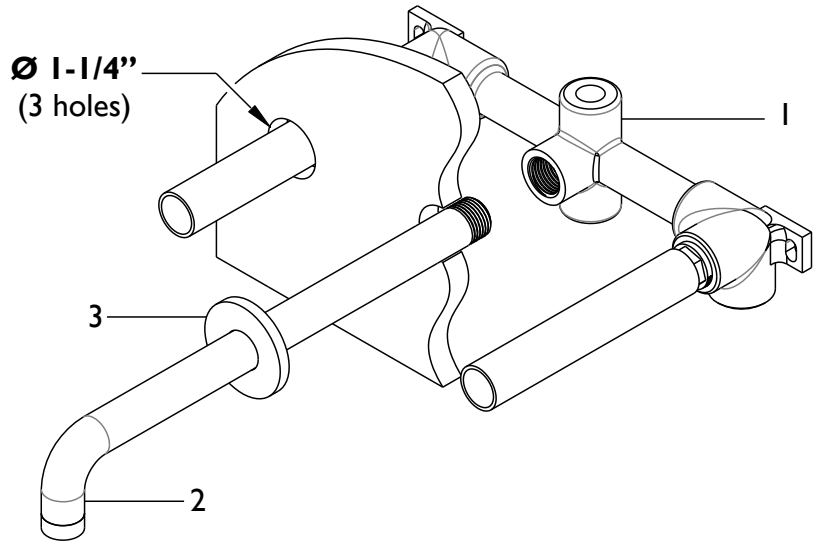
- Prior to installing faucet trim in-wall vessel rough VALVE (1), **CF-VL-R**, must be properly installed and wall surface must be completely finished

**NOTE:** Recommended through-hole size shall be  $\varnothing 1-1/4"$

- Slide spout RING (3) onto SPOUT (2)
- Apply thread sealant to threaded end of SPOUT (2) and tighten into center outlet of VALVE (1)
- If SPOUT (2) is not properly aligned when fully tightened, turn counter-clockwise till properly aligned

**IMPORTANT:** Do not overtighten SPOUT (2)

- Apply silicone caulk to back side of spout RING (3)
- Push spout RING (3) firmly against wall



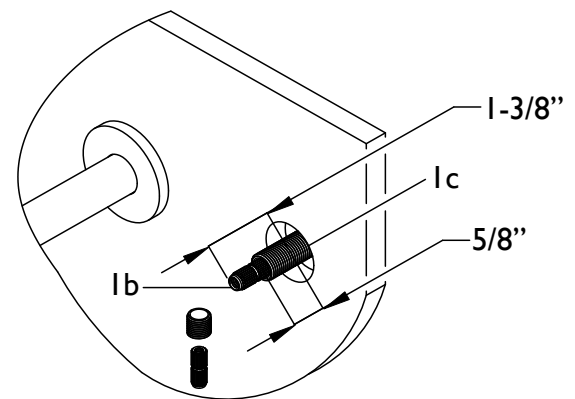
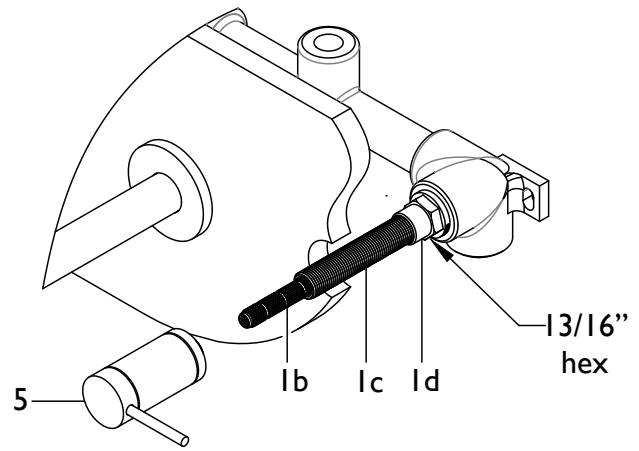
## 2

### ALIGN & TRIM VALVE STEM

- Remove MUDGUARD (1a) from VALVE (1)
- To obtain proper HANDLE (5) alignment it may be necessary to re-align cartridge STEM (1b); to align STEM (1b), slightly loosen the cartridge NUT (1d), place HANDLE (11) on STEM (1b) and **TIGHTEN** in CW direction until desired alignment is achieved; retighten cartridge NUT (1d) to factory torque setting of 14 ft-lbs.

**WARNING:** Cartridge NUT (1d) **MUST** be properly torqued to prevent possible failure and/or water damage

- Using a marking device (e.g. pencil or marker) indicate a distance of 5/8" from finished wall on ALL-THREAD (1c); unscrew ALL-THREAD (1c) from valve STEM (1b)
- Cut STEM (1b) 1-3/8" from finished wall surface
- Cut off excess ALL-THREAD (1c) at indicated mark and reattach ALL-THREAD (1c) onto valve STEM (1b) – repeat on other side



## 3

### INSTALLING HANDLE

- Tighten handle RING (4) onto HANDLE (5)

**NOTE:** Check that handle ESCUTCHEON (5b) and RING (4) spin independently of handle TOP (5a)

- Secure HANDLE (5) onto wall by tightening handle ESCUTCHEON (5b) onto ALL-THREAD (1c)
- Turn on water supply and check for leaks

