

# REF31BMFIX

REFRIGERATOR 31" FREESTANDING BOTTOM MOUNT WITH ICE MAKER  
STAINLESS STEEL



## Energy star

Surround Cooling System - Optimized airflow design with multiple vents on every shelf level for even temperature throughout entire refrigerator

Total No-Frost system: automated defrosting of evaporator ensures food stays always fresh

Extra-large freezer drawer to store larger items and make best use of freezer space.

Fast freeze - 2 air vents in top freezer drawer accelerate temperature drop, helping lock vitamins and maintain flavors.

Automatic ice-maker

Gallon-sized door rack

Electronic LED touch interface

LED lighting

Flat front stainless steel doors with no-fingerprint surface treatment

Reversible doors for left or right swing configuration

Choose Professional or Master Series handle kit to match your other Bertazzoni kitchen appliances

2 year parts & labor warranty

For more information on this product or other Bertazzoni products please visit Bertazzoni.com

## PRODUCT FEATURES

<b>Style</b>	Bottom mount
<b>Finish</b>	Stainless steel
<b>User interface</b>	Interior touch-control with LED screen (on top)
<b>Lighting</b>	LED
<b>Refrigerator</b>	3 shelves
<b>Refrigerator crispers</b>	1 large size
<b>Door storage</b>	2 full-width bins - 4 half-width bins Height adjustable
<b>Freezer compartment</b>	2 full-width drawers - 1 half-width drawer
<b>Ice maker</b>	Yes
<b>Programs</b>	Super Cool, Super Freezer, Energy Saving
<b>Open door alarm</b>	Yes

## INTERIOR CAPACITY

<b>Total volume</b>	17.1 cu.ft
<b>Refrigerator</b>	12.2 cu.ft
<b>Freezer</b>	4.9 cu.ft

## TECHNICAL SPECIFICATIONS

<b>Voltage, Frequency, Amps</b>	115V 60 Hz - 1.5 Amps 120W
<b>Power connection</b>	120V 3-prong plug with 72" cord
<b>DOE Compliant</b>	Yes
<b>Energy Star</b>	Yes
<b>Water connection</b>	1/4" waterline with accessible shut-off valve
<b>Water supply pressure</b>	Min 30 PSI Max 125 PSI
<b>Certification</b>	DOE / UL / CEC
<b>Warranty</b>	2 years parts & labor

<b>Packaging dimensions and weight</b>	W 33" 1/8 H 71" 5/8 D 30" 23/32 Weight 238 lbs
--	--

## ACCESSORIES

<b>PROHK24BM</b>	Handle kit for 24"/31" bottom mount refrigerator - PROFESSIONAL SERIES
<b>MASHK24BM</b>	Handle kit for 24"/31" bottom mount refrigerator - MASTER SERIES



REF31BMFIX + PROHK24BM



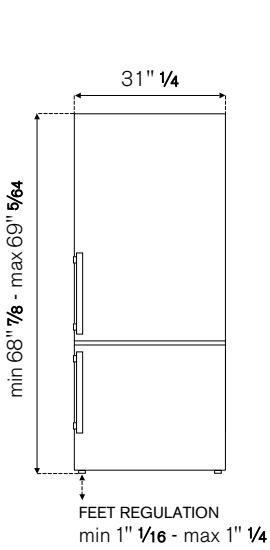
REF31BMFIX + MASHK24BM

# REF31BMFIX

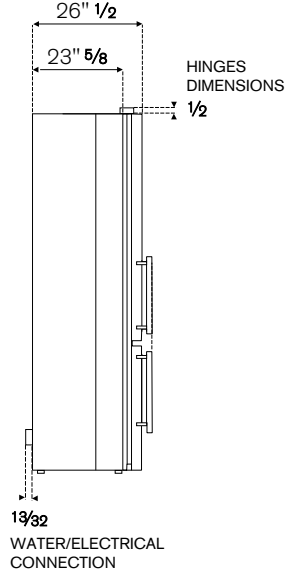
REFRIGERATOR 31" FREESTANDING BOTTOM MOUNT WITH ICE MAKER  
STAINLESS STEEL



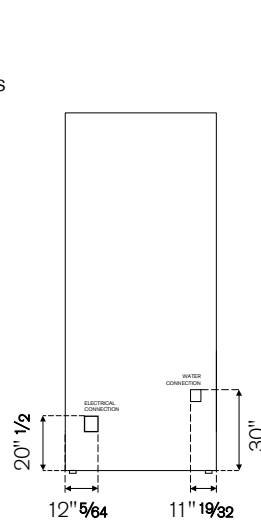
FRONT



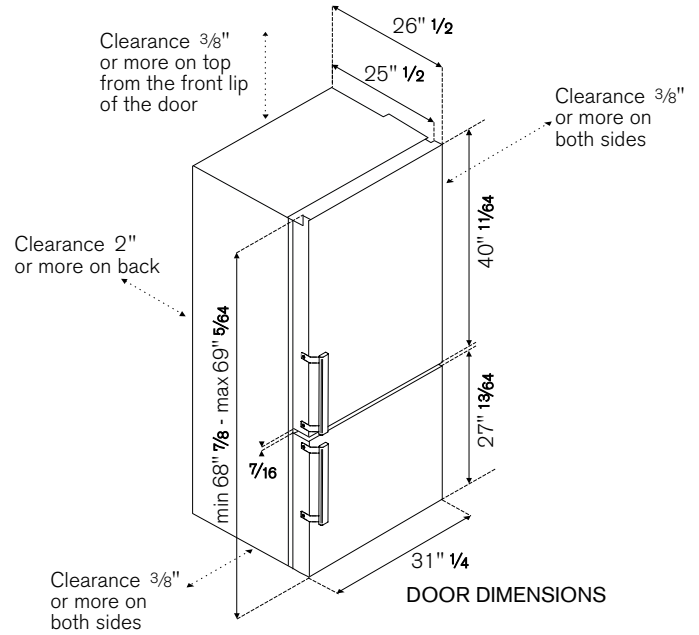
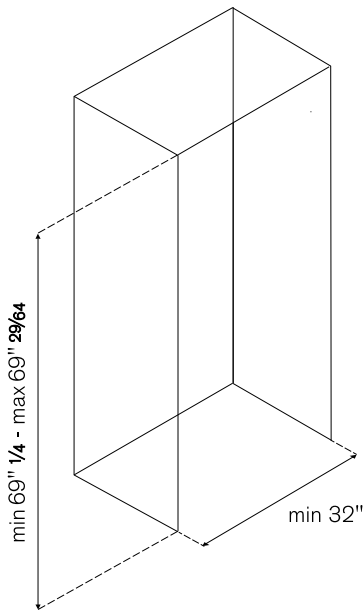
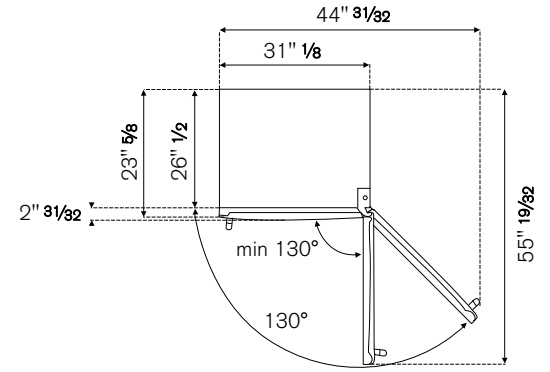
SIDE



BACK



TOP



**Disclaimer:** while every effort has been made to insure the accuracy of the information contained in this document, Fratelli Bertazzoni reserves the right to change any part of the information at any time without notice. For detailed installation specifications consult the installation manual. Fratelli Bertazzoni, Bertazzoni and the winged wheel brand icon are registered trademarks of Bertazzoni Spa.