

# 30" Speed Oven

Benchmark Series – Stainless Steel HMCP0252UC



**BOSCH**

Invented for life



**HMCP0252UC**  
Stainless Steel

The speed oven pairs the cooking qualities of a conventional oven with the speed of microwave technology.

## Features & Benefits

SpeedChef® cooking cycles offer faster cooking times for your convenience.

Flush install matches Bosch wall oven, steam oven, or warming drawer.

2-in-1 microwave and convection oven for a variety of cooking options.

30" width can be installed in horizontal and vertical configuration.

LED lights

TFT Display

## General Properties

Cavity material Stainless steel

Max. microwave power (W) 1,000 W

## Capacity

Cavity capacity (cu. ft.) 1.6

Turntable diameter (in.) 14 1/8"

## Technical Details

Watts (W) 3,840 W

Circuit breaker (A) 16 A

Volts (V) 208-240 V

Frequency (Hz) 60 Hz

Power cord length (in) 48"

Plug type Fixed connection, 8" stripped wires

## Dimensions & Weight

Overall appliance dimensions (HxWxD)(in) 19 5/8" x 29 3/4" x 22 3/8"

Required cutout size (HxWxD) (in) (Standard) 19 1/4" x 28 1/2" x 22"

(Flush) 20 1/8" x 30" x 23 1/2"

Oven overall interior dimensions (HxWxD) (in.) 9 7/8" x 16 1/2" x 16 1/2"

Turntable – Metal Max. Cookware 12 3/4" dia.

Turntable – Ceramic Max. Cookware 12 1/2" dia.

Rack – Rectangular Cookware Max. 15" x 12"

Net weight (lbs) 92 lbs

## Accessories—Included

Included Metal turntable, cooking rack, ceramic cooking tray



**Accessories:** To purchase Bosch accessories, cleaners & parts please visit [www.bosch-home.com/us/store](http://www.bosch-home.com/us/store) or call 1-800-944-2904 (Mon to Fri 5 am to 6 pm PST, Sat 6 am to 3 pm PST).

**Notes:** All height, width and depth dimensions are shown in inches. BSH reserves the absolute and unrestricted right to change product materials and specifications, at any time, without notice. Consult the product's installation instructions for final dimensional data and other details prior to making cutout.

**Warranties:** Please see Use & Care manual or Bosch website for statement of limited warranty.

**For more information on our entire line of products, go to [www.bosch-home.com/us](http://www.bosch-home.com/us) or call 1-800-944-2904**

© BSH Home Appliances Corporation. All rights reserved. Bosch is a registered trademark of Robert Bosch GmbH.

# 30" Speed Oven

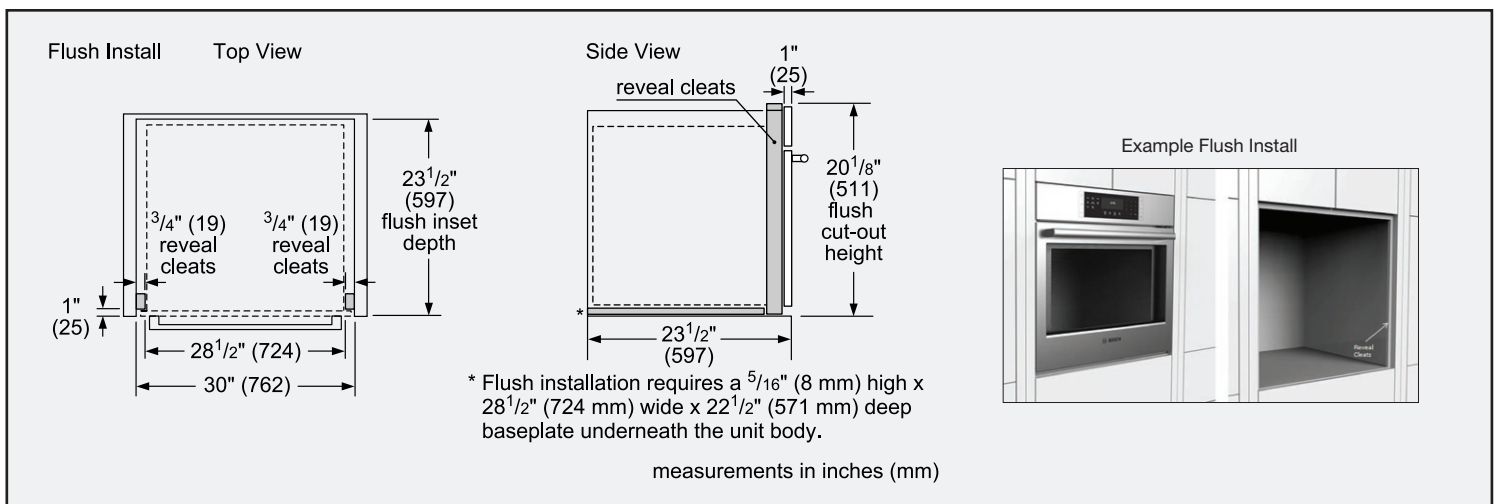
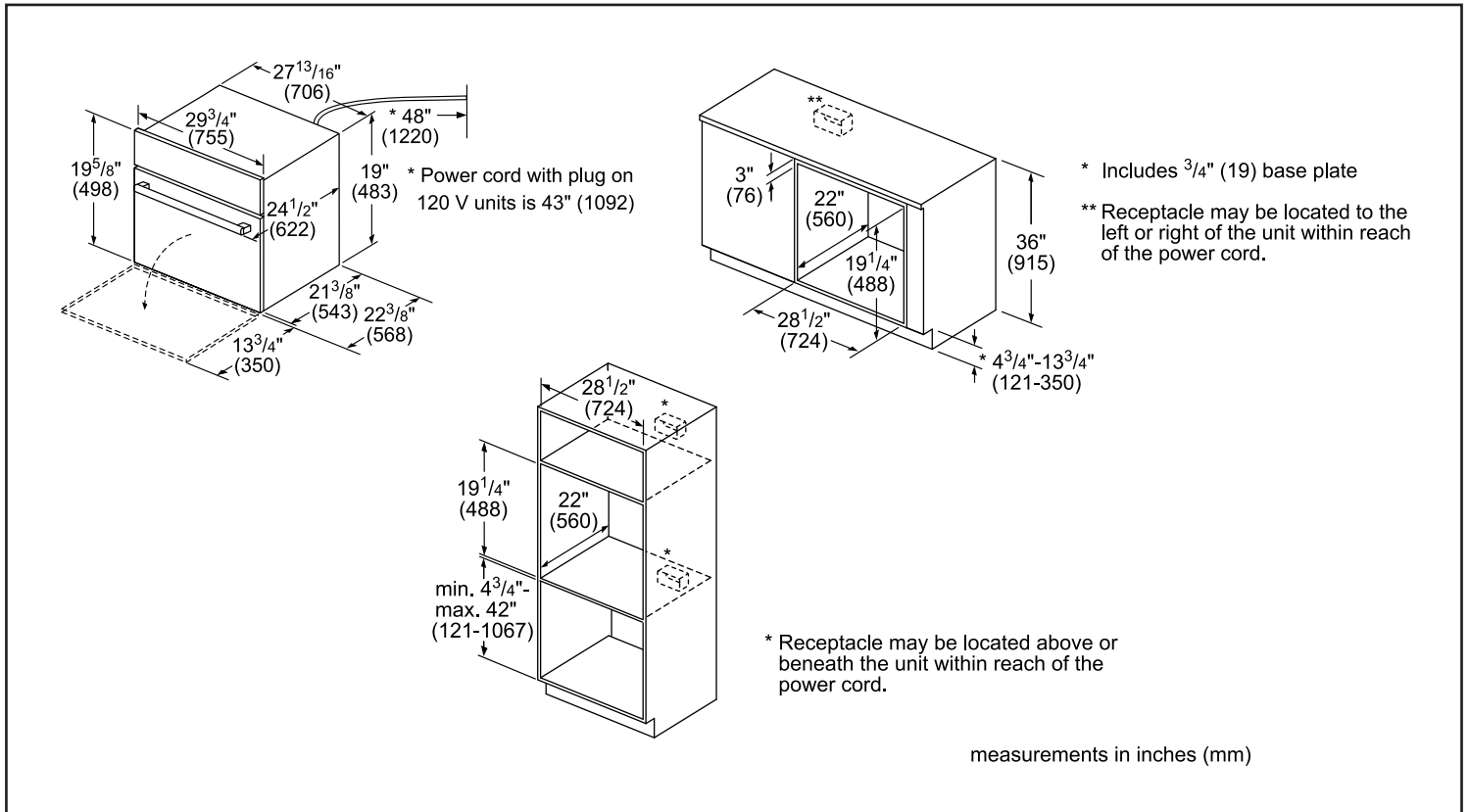
Benchmark Series – Stainless Steel HMCP0252UC



**BOSCH**

Invented for life

## Installation Details



**Accessories:** To purchase Bosch accessories, cleaners & parts please visit [www.bosch-home.com/us/store](http://www.bosch-home.com/us/store) or call 1-800-944-2904 (Mon to Fri 5 am to 6 pm PST, Sat 6 am to 3 pm PST).

**Notes:** All height, width and depth dimensions are shown in inches. BSH reserves the absolute and unrestricted right to change product materials and specifications, at any time, without notice. Consult the product's installation instructions for final dimensional data and other details prior to making cutout.

**Warranties:** Please see Use & Care manual or Bosch website for statement of limited warranty.

**For more information on our entire line of products, go to [www.bosch-home.com/us](http://www.bosch-home.com/us) or call 1-800-944-2904**

© BSH Home Appliances Corporation. All rights reserved. Bosch is a registered trademark of Robert Bosch GmbH.

# 30" Speed Oven

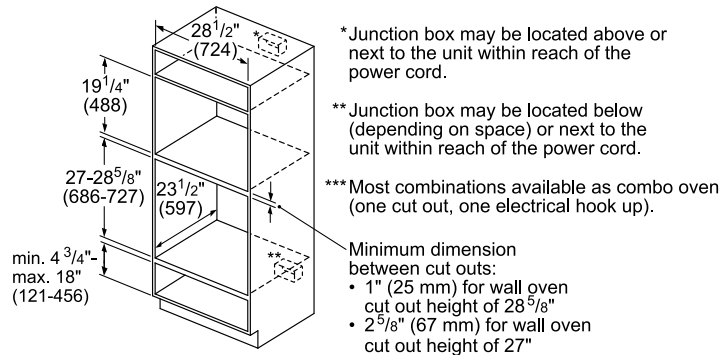
800 Series – Stainless Steel HMC80252UC



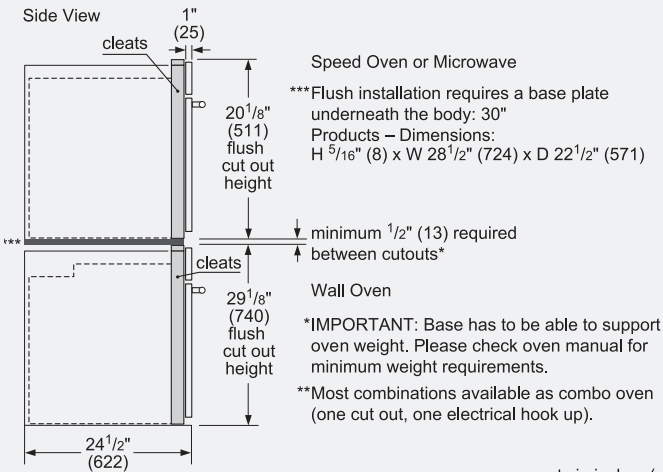
**BOSCH**  
Invented for life

## Installation Details

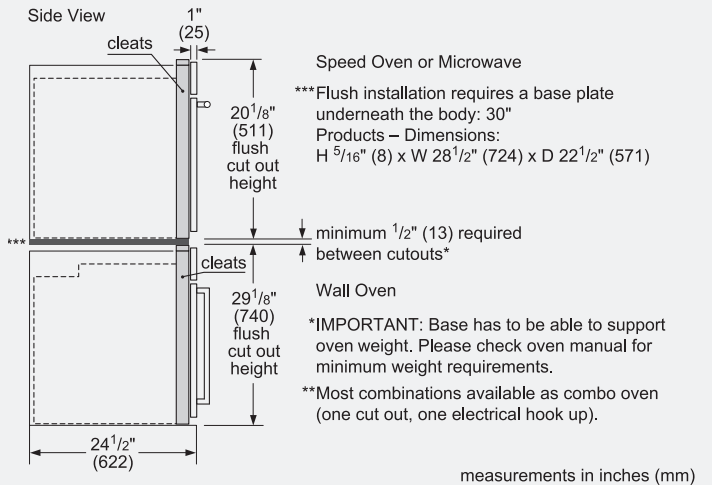
### Standard Installation Over Single Oven



### Flush Installation Over Single Oven



### Flush Installation Over Single Oven with Side Swing door



**Accessories:** To purchase Bosch accessories, cleaners & parts please visit [www.bosch-home.com/us/store](http://www.bosch-home.com/us/store) or call 1-800-944-2904 (Mon to Fri 5 am to 6 pm PST, Sat 6 am to 3 pm PST).

**Notes:** All height, width and depth dimensions are shown in inches. BSH reserves the absolute and unrestricted right to change product materials and specifications, at any time, without notice. Consult the product's installation instructions for final dimensional data and other details prior to making cutout.

**Warranties:** Please see Use & Care manual or Bosch website for statement of limited warranty.

**For more information on our entire line of products, go to [www.bosch-home.com/us](http://www.bosch-home.com/us) or call 1-800-944-2904**

© BSH Home Appliances Corporation. All rights reserved. Bosch is a registered trademark of Robert Bosch GmbH.