

24" Compact Washer

800 Series Washer with Home Connect® – WAW285H2UC



WAW285H2UC
White

The 800 Series Laundry pair is ENERGY STAR® certified and offers matching quality, water protection, design and fast wash and dry cycles.

Features & Benefits

The Bosch 800 Series washer with Home Connect® can be operated from anywhere.

AquaStop®Plus provides extra protection against water damage.

Customized stain options treat organic oils, blood, red wine and grass.

SpeedPerfect® provides up to 40% faster washing time.*

At 2.2 cu. ft. Bosch washers are compact in size without sacrificing capacity so you can fit a variety of loads.

General Properties	
Tub material	Stainless Steel
Maximum spin speed (rpm)	1,400
Interior light	Yes (LED)
Leak protection systems	AquaStop® Plus (AquaStop® Base + Aquashield® Hose)
Internal water heater	Yes
Stackable	Yes with Stacking Kit Accessory
Silence level – washing (dBA)	50
Silence level – spinning (dBA)	71
Programs (No.), [Special]	(14), [Super Quick 15, Whitest Whites]
Options (No.), [Special]	(10) [Remote Start, EcoPerfect™, Stains]
Energy consumption (kWh/yr)	84
Water consumption (gal/y)	2,379
ENERGY STAR® certified	Yes
Capacity	
Capacity (cu. ft.)	2.2
Design Elements	
Door ring	Chrome
Control type	Premium LED Touch
Dial	Illuminated jog dial
Bosch logo on door glass	Yes



Technical Details	
Watts (W)	2,520
Circuit breaker (A)	15**
Volts (V)	208/220-240
Current (A)	10.5
Frequency (Hz)	60
Plug type	240V; NEMA 6-15 (3 prong)
Power cord included	Yes
Power cord length (in)	63 (Full Length)
Drain hose length (in)	57 (Full Length)
Inlet hose length (in)	59 (Full Length)
Door hinge	Left Side (Not Reversible)

Dimensions & Weight	
Overall appliance dimensions (HxWxD) (in)	33 1/4" x 23 1/2" x 25"
Net weight (lbs)	160
Minimum stack height (in)	67 3/4"

ADA compliance
 – Meets ADA height and access requirements *when installed on pedestal*.
 – Meets ADA operable parts requirements for controls and detergent dispenser.

Accessories	
Short Stainless Steel Hose (If needed for plumbing box clearance with AQS hose)	P/N 645787



WMZPW20W
Pedestal



WTZPA20UC
Power Adapter
(Included with Dryer)



WTZ11400UC
Stacking Kit with Shelf



WTZ20410UC
Stacking Kit without Shelf

*As compared to Perm Press Heavy Soil cycle without SpeedPerfect®

**Stated circuit breaker size is if the appliance is plugged into an individual 240/208V, 15A minimum branch circuit. Matching Dryer is supplied with a power adapter to fit into a standard 4-prong 30A Dryer receptacle (NEMA 14-30R) and power both Bosch Washer and Dryer.

Accessories: To purchase Bosch accessories, cleaners & parts please visit www.bosch-home.com/us/store or call 1-800-944-2904 (Mon to Fri 5 am to 6 pm PST, Sat 6 am to 3 pm PST).

Notes: All height, width and depth dimensions are shown in inches. BSH reserves the absolute and unrestricted right to change product materials and specifications, at any time, without notice. Consult the product's installation instructions for final dimensional data and other details prior to making cutout.

Warranties: Please see Use & Care manual or Bosch website for statement of limited warranty.

For more information on our entire line of products, go to www.bosch-home.com/us or call 1-800-944-2904

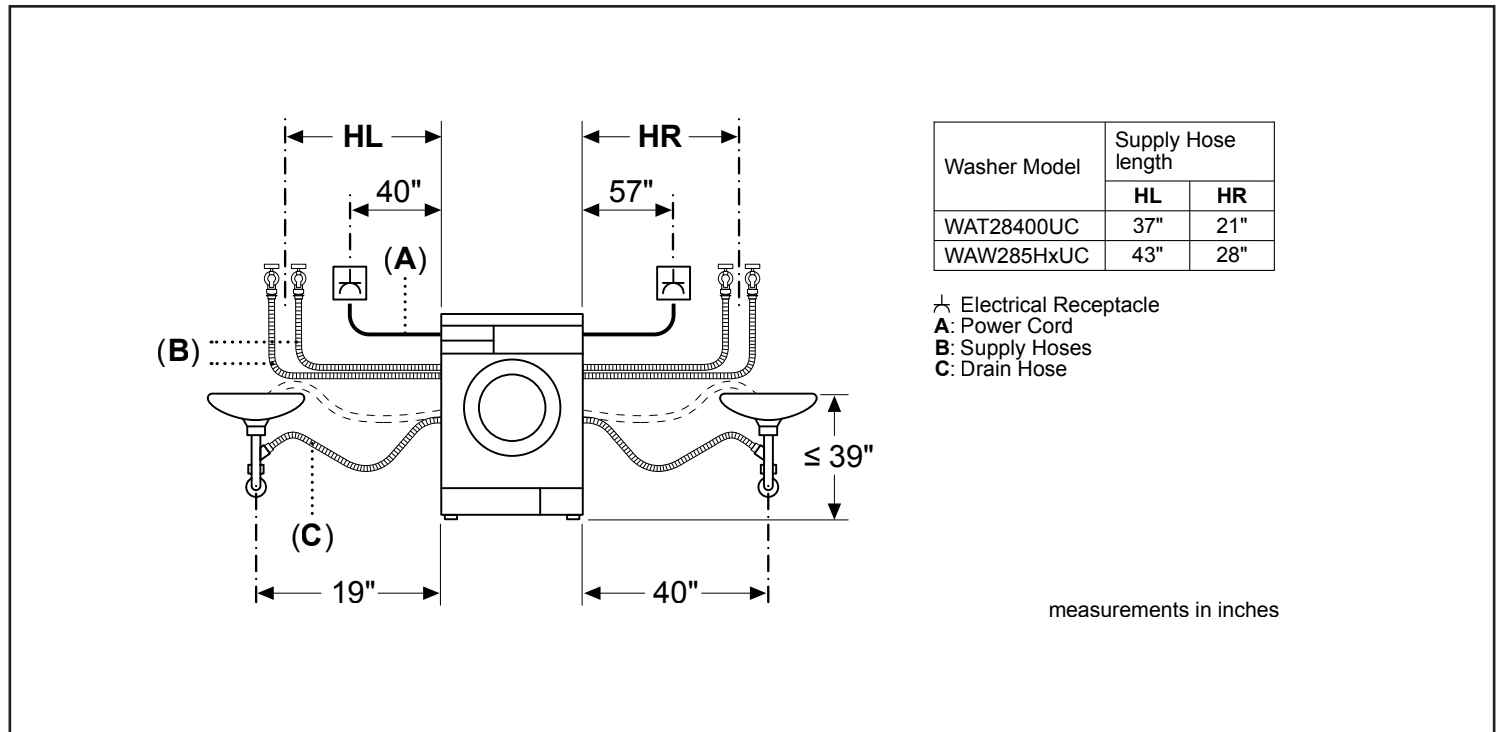
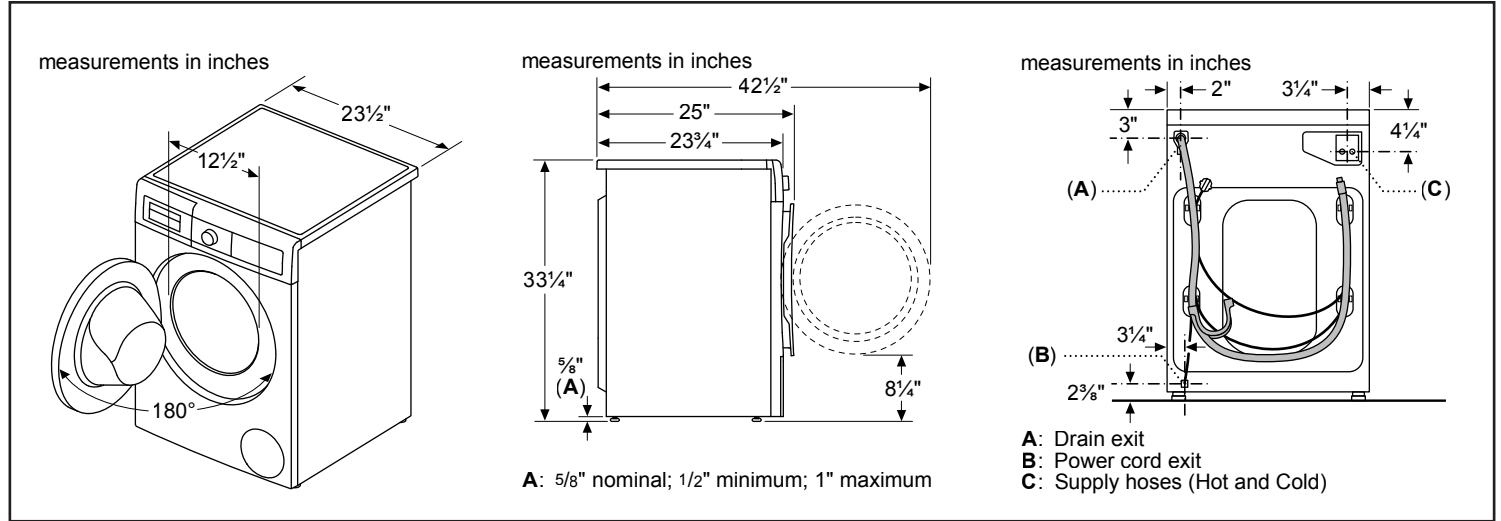
© BSH Home Appliances Corporation. All rights reserved. Bosch is a registered trademark of Robert Bosch GmbH.

24" Compact Washer

800 Series Washer with Home Connect® – WAW285H2UC



Installation Details



Accessories: To purchase Bosch accessories, cleaners & parts please visit www.bosch-home.com/us/store or call 1-800-944-2904 (Mon to Fri 5 am to 6 pm PST, Sat 6 am to 3 pm PST).

Notes: All height, width and depth dimensions are shown in inches. BSH reserves the absolute and unrestricted right to change product materials and specifications, at any time, without notice. Consult the product's installation instructions for final dimensional data and other details prior to making cutout.

Warranties: Please see Use & Care manual or Bosch website for statement of limited warranty.

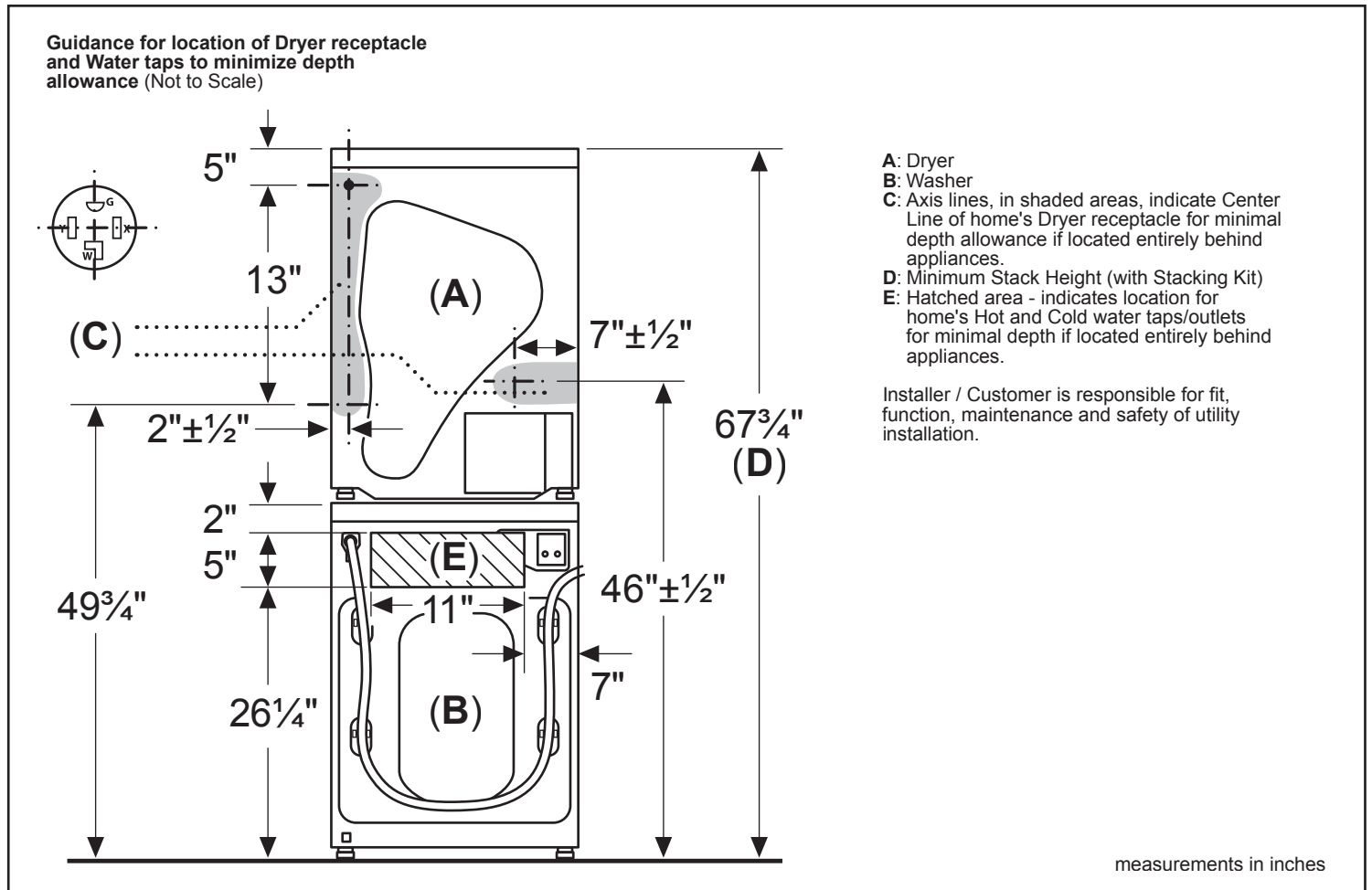
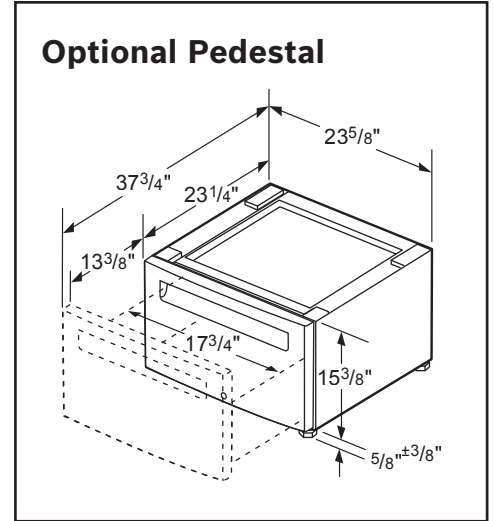
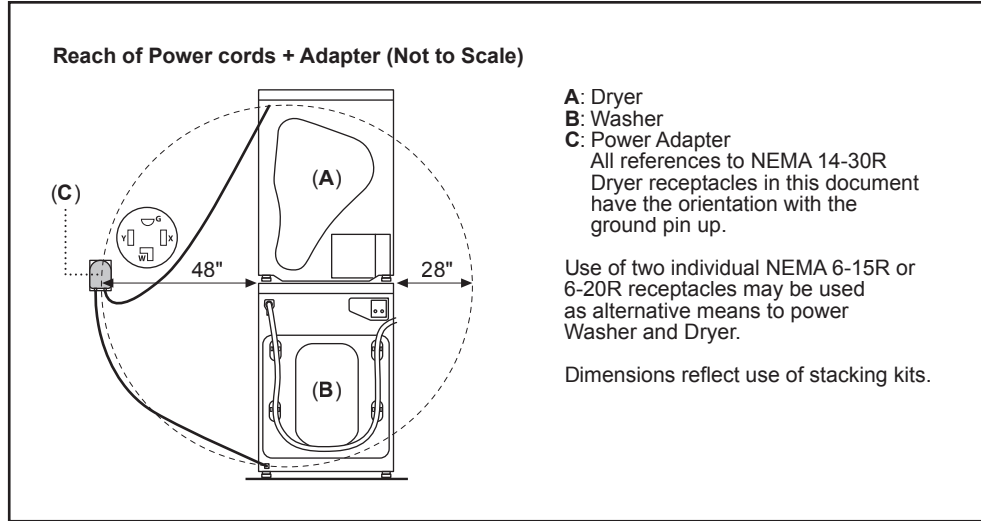
For more information on our entire line of products, go to www.bosch-home.com/us or call 1-800-944-2904

© BSH Home Appliances Corporation. All rights reserved. Bosch is a registered trademark of Robert Bosch GmbH.

24" Compact Washer

800 Series Washer with Home Connect® – WAW285H2UC

Installation Details



Accessories: To purchase Bosch accessories, cleaners & parts please visit www.bosch-home.com/us/store or call 1-800-944-2904 (Mon to Fri 5 am to 6 pm PST, Sat 6 am to 3 pm PST).

Notes: All height, width and depth dimensions are shown in inches. BSH reserves the absolute and unrestricted right to change product materials and specifications, at any time, without notice. Consult the product's installation instructions for final dimensional data and other details prior to making cutout.

Warranties: Please see Use & Care manual or Bosch website for statement of limited warranty.

For more information on our entire line of products, go to www.bosch-home.com/us or call 1-800-944-2904

© BSH Home Appliances Corporation. All rights reserved. Bosch is a registered trademark of Robert Bosch GmbH.

24" Compact Washer

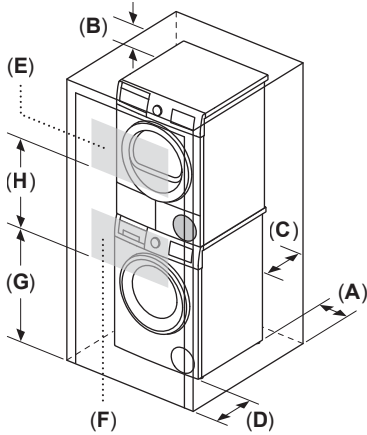
800 Series Washer with Home Connect® – WAW285H2UC



BOSCH
Invented for life

Installation Details

Closet: Stacked Washer and Condensing Dryer



Minimum clearance requirements
(Stacked, Stand Alone or Side by Side):

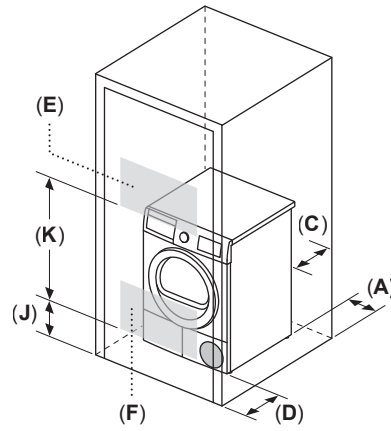
- A: Both sides (left and right) – 5/8"
- B: Top – 6 1/4"
- C: Rear – 2 1/2"
- D: Front – 2 1/2"

Minimum louvered area and spacing:

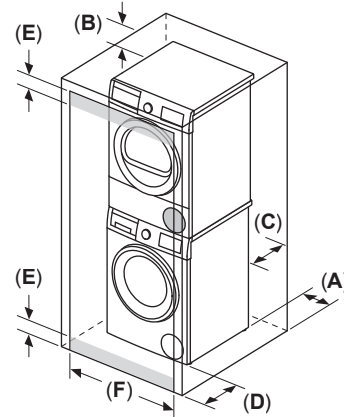
- E: Top louver area – 63 sq. in.
- F: Bottom louver area – 63 sq. in.
- G: Lower Height (stacked) – 37"
- H: Upper Height (stacked) – 26"
- J: Lower Height (stand alone) – 3"
- K: Upper Height (stand alone) – 29"

For shortest drying times keep closet door open while dryer is operating. When closet doors are closed, open areas only allow minimal drying results (expect long drying times).

Closet: Stand Alone (shown) or Side by Side



Closet: Stacked Washer with Heat Pump Dryer



Minimum clearance requirements
(Stacked, Stand Alone or Side by Side):

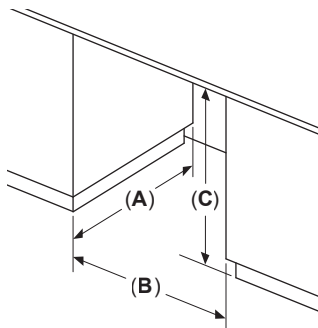
- A: Both sides (left and right) – 1/2"
- B: Top – 6 1/4"
- C: Rear – 3"
- D: Front – 1/2"

Minimum door undercut (louvered area):

- E: Undercut height (Top and Bottom) – 1 1/4"
Louvered areas of equal total sizes and split between upper and lower portions of door are permitted.
- F: Undercut width (Top and Bottom):
– 24" minimum for Stacked and Stand Alone
– 48" minimum for Side by Side

For shortest drying times keep closet door open while dryer is operating. When closet doors are closed, open areas only allow minimal drying results (expect long drying times).

Under Counter (Preferred)

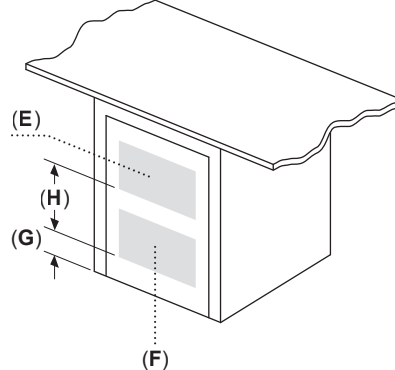


Minimum opening dimensions:

- A: Depth – 28"
- B: Width – 23 3/8"
- C: Height – 34 1/2"

Front of appliance fully open.
No doors or coverings.

Under Counter Enclosed (Less Preferred)



If the front of the appliance is covered, louvered openings must be installed as shown and front/rear clearances adhered to according to closet installations.

Minimum louvered area and spacing:

- E: Top louver area – 63 sq. in.
- F: Bottom louver area – 63 sq. in.
- G: Lower Height – 3"
- H: Upper Height – 14"

For shortest drying times keep cabinet door open while dryer is operating. When cabinet door is closed, open areas only allow minimal drying results (expect long drying times).

measurements in inches

Accessories: To purchase Bosch accessories, cleaners & parts please visit www.bosch-home.com/us/store or call 1-800-944-2904 (Mon to Fri 5 am to 6 pm PST, Sat 6 am to 3 pm PST).

Notes: All height, width and depth dimensions are shown in inches. BSH reserves the absolute and unrestricted right to change product materials and specifications, at any time, without notice. Consult the product's installation instructions for final dimensional data and other details prior to making cutout.

Warranties: Please see Use & Care manual or Bosch website for statement of limited warranty.

For more information on our entire line of products, go to www.bosch-home.com/us or call 1-800-944-2904

© BSH Home Appliances Corporation. All rights reserved. Bosch is a registered trademark of Robert Bosch GmbH.