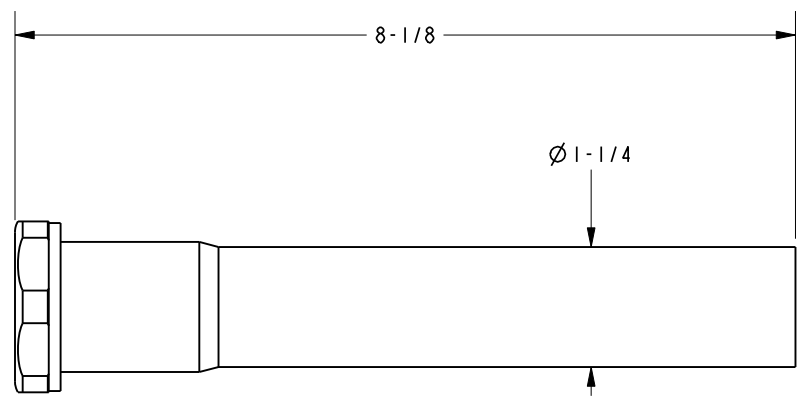
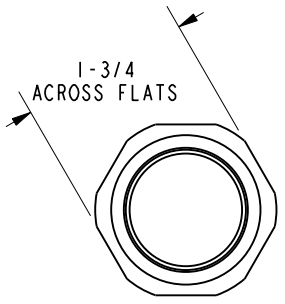
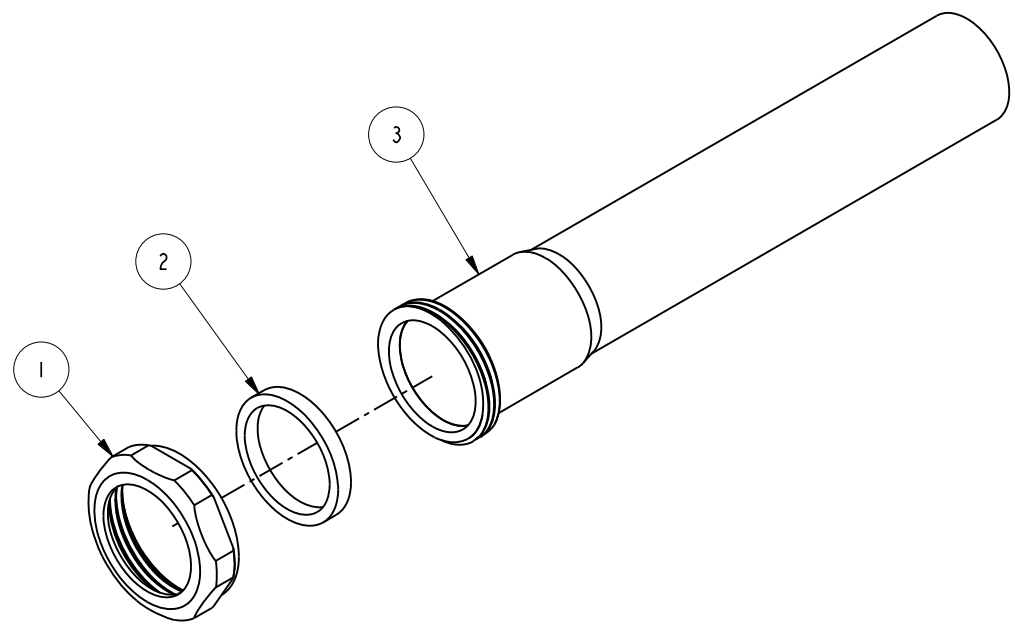


BILL OF MATERIAL (CURRENT LEVEL)				
ITEM	PT/ASSY	DESCRIPTION	TYPE	QTY.
1	50321	LOCKNUT 1.25" BRS (301)	PART	1
2	91193	WSHR, 1.25 ID X 1.5 OD X .19 THK, FLT, RUBBER	PART	1
3	50347	TUBE, SLIP 1.25" (328)	PART	1



COPYRIGHT 2005 BRASSTECH, INC. THESE DRAWINGS AND THE DESIGNS DEPICTED HEREIN ARE THE PROPRIETARY PROPERTY OF BRASSTECH. ANY USE OR REPRODUCTION IS SUBJECT TO THE EXPRESS APPROVAL OF BRASSTECH. UNAUTHORIZED USE IS STRICTLY PROHIBITED. ALL RIGHTS RESERVED.

**BRASSTECH**  
INCORPORATED  
2001 CARNEGIE AVE.  
SANTA ANA, CA 92705  
(949) 417-5207

EXTENSION TUBE 1-1/4" O.D.

ASSY. NO.	328	-	-	-
SCALE	.500	REF.	-	-
SHEET	1	OF	1	REV
REV	EN-2537	REV DESC	05/16/13	DATE