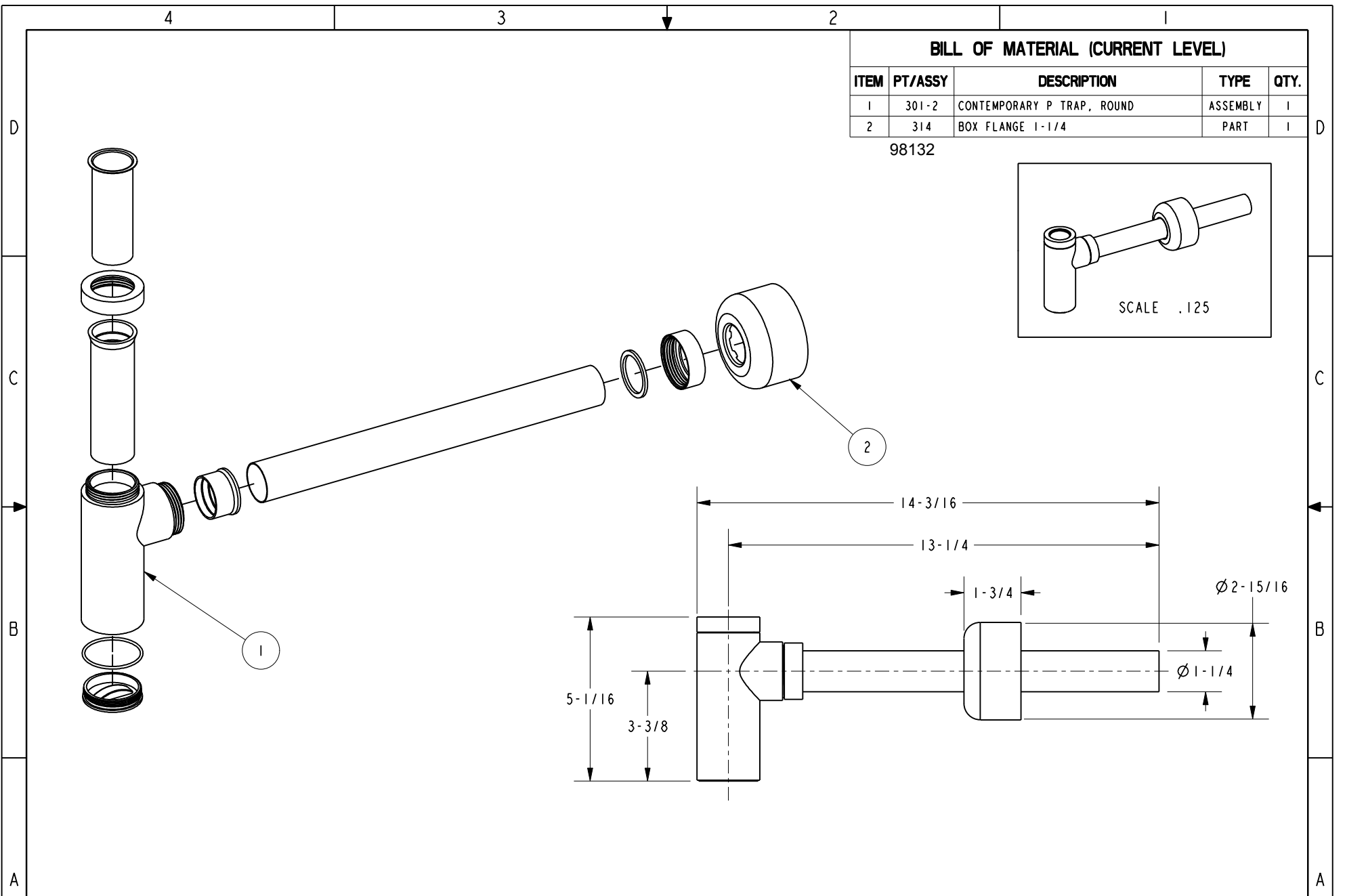
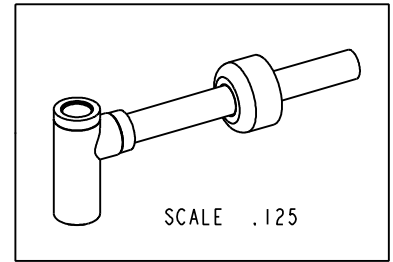


BILL OF MATERIAL (CURRENT LEVEL)				
ITEM	PT/ASSY	DESCRIPTION	TYPE	QTY.
1	301-2	CONTEMPORARY P TRAP, ROUND	ASSEMBLY	1
2	314	BOX FLANGE 1-1/4	PART	1

98132



COPYRIGHT 2005 BRASSTECH, INC. THESE DRAWINGS AND THE DESIGNS DEPICTED HEREIN ARE THE PROPRIETARY PROPERTY OF BRASSTECH. ANY USE OR REPRODUCTION IS SUBJECT TO THE EXPRESS APPROVAL OF BRASSTECH. UNAUTHORIZED USE IS STRICTLY PROHIBITED. ALL RIGHTS RESERVED.

B EN-2551 6/13/2013

BRASSTECH
INCORPORATED
2001 E. CARNEGIE AVE.
SANTA ANA, CA 92705
(949) 417-5207

P-TRAP 1-1/4 RD W/ BOX FLG

ASSY. NO.	3016		
SCALE	.250	REF.	-
SHEET	1	OF	1
REV	A	EN-1533	04/23/10
REV DESC	-	RELEASED	PRE '95
DATE			