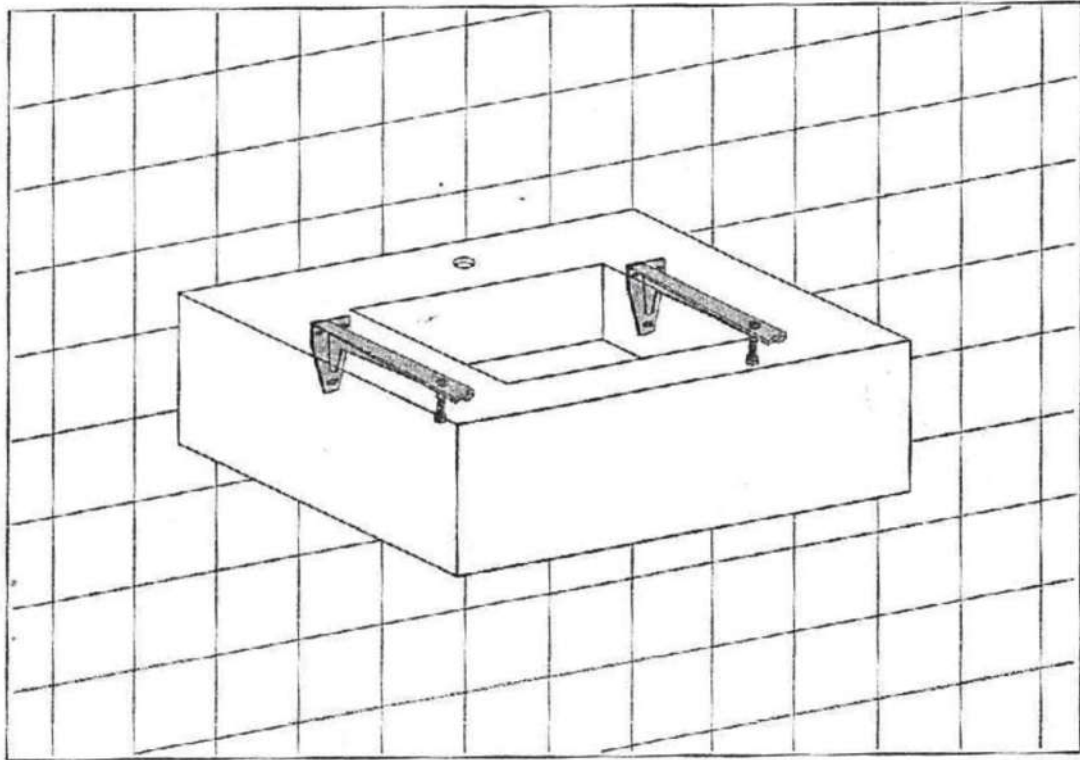


Installation Instructions

Tools Needed:

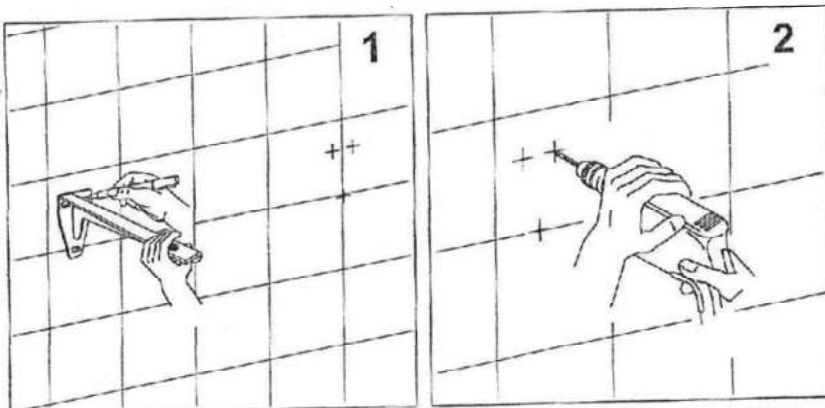
Pencil • Level • Tape Measure • Drill • Silicone • Wrench • Bolts (Not included)

PR-Bracket Required for installation of Precious Wall Hung Sinks



Be sure to re-inforce wall before installation.

We recommend a 2"x12" securely fastened to wall studs at the desired height for your installation.

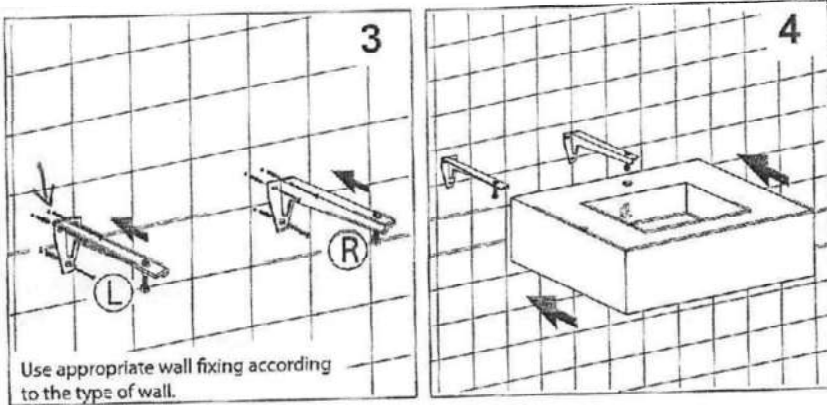


1. Determine the width of the mounting plate and your preferred height for the sink. Mark the location of mounting bracket holes on the wall.

2. Drill holes in the wall to mount the brackets.

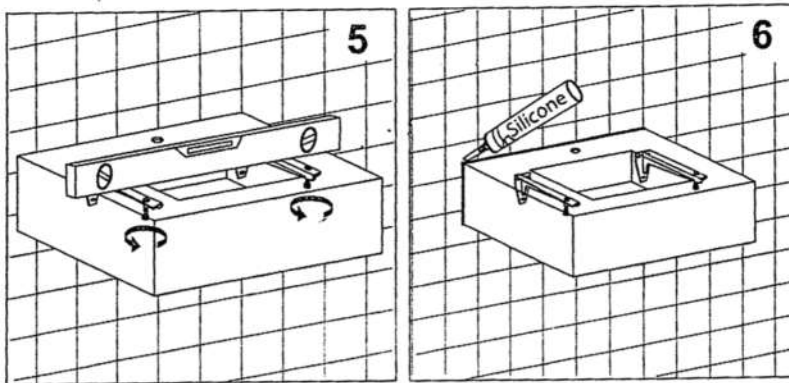
RAK Precious Wall Hung Sinks

Cat. No.
PR-Bracket



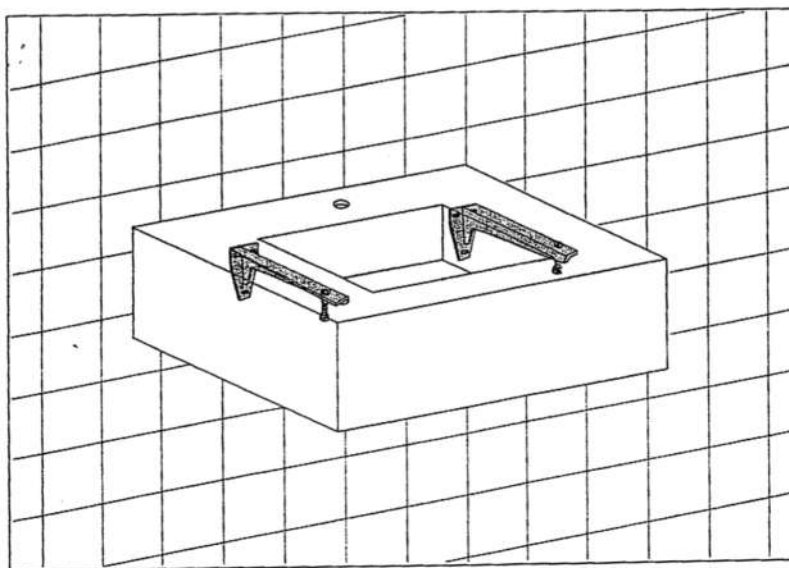
3. Bolt one bracket in place. Level the second bracket using a level before tightening.

4. Once the brackets are installed, slide the sink into place. Before placing the sink, it would be convenient to mount the faucet according to the manufacturer's instructions.



5. Ensure sink is level. Adjust brackets if needed.

6. Apply a bead of silicone along the top of the sink where it meets the wall.



7. Connect all supply tubes to the faucet. Connect trap and drain assembly according to the manufacturer's instructions.