

Brand AXOR  
Art. Name **AXOR One** Diverter Trim Trio  
Art. Nr. 45772341  
Surface brushed black chrome  
Pos. 1

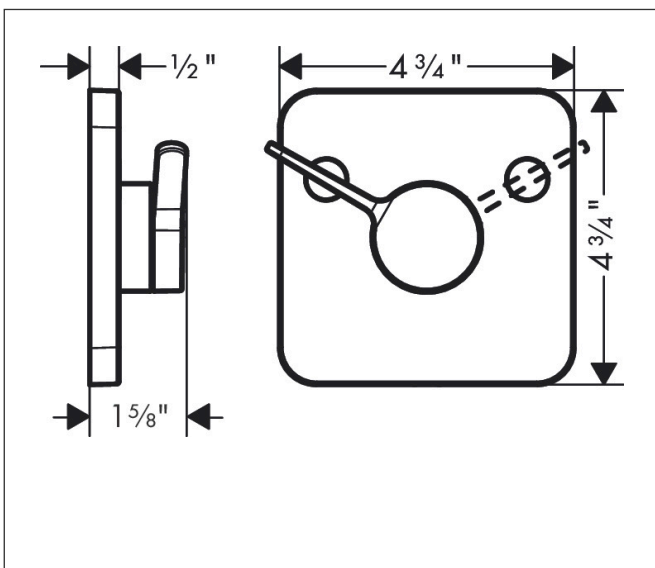
## Product Picture



## Features

- Metal escutcheon, Handle, Sleeve

## Drawing



## Technology