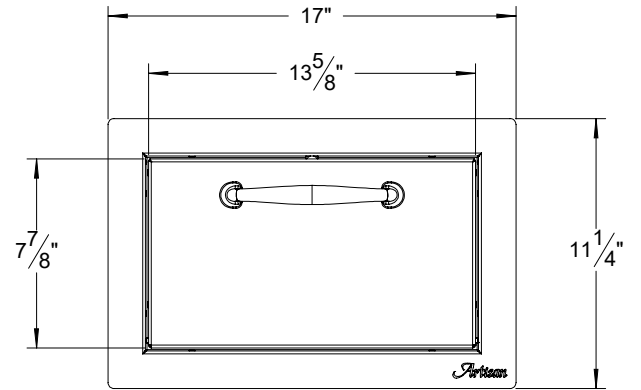


TYPICAL ARTP-TH-17 INSTALLATION



COUNTER FRONT CUTOUT REQUIREMENTS

