

### GENERAL DESCRIPTION:

Touchless Selectronic® Flush Valve for floor-mounted or wall-hung 1-1/2" top spud flushometer bowls.

### PRODUCT FEATURES:

- **Automatic touchless operation** limits the spread of germs for a safer restroom
- **Factory-Installed CR-P2 Lithium Battery**
- **Programmable Selectronic® sensor**
- **DynaClean®** self-cleaning wiper spring technology significantly reduces maintenance and downtime
- **Wiper spring** cleans the refill orifice with every flush; preventing valve run-on from clogging
- **Premium EvoLast®** diaphragm material is chloramine-resistant to prevent premature deterioration and failure
- **State-of-the-Art Electronics** prevent ghost flushing
- **Fully Mechanical Manual Override Button** can flush the valve without power
- **Adjustable Sanitary Flush** cleans the fixture and maintains the trap seal
- **Detection range** can be adjusted manually or with optional remote control
- **Dezincification-resistant brass alloy** withstands the most severe water conditions
- **High back pressure vacuum breaker** prevents dripping
- **Adjustable tailpiece** for rough-in flexibility. Can be installed left or right handed
- **ADA compliant**

### MODEL NUMBER:



- ❑ **6247111.002** Flush valve for 1-1/2" top spud flushometer bowls, 1.1 gpf / 4.2 Lpf.



- ❑ **6247121.002** Flush valve for 1-1/2" top spud flushometer bowls, 1.28 gpf / 4.8 Lpf.



- ❑ **6247161.002** Flush valve for 1-1/2" top spud flushometer bowls, 1.6 gpf / 6.0 Lpf.

- ❑ **6247721.002** Flush valve for 1-1/2" top spud flushometer bowls, Dual Flush 1.28 gpf / 1.1 gpf (4.8 / 4.2 Lpf).

### INCLUDES:

- Inlet includes 1" sweat solder kit and angle stop with back flow protection and vandal-resistant cap.
- Outlet includes 1-1/2" high back pressure vacuum breaker with spud coupling and flange.

### OPERATING PRESSURE:

25 psi (flowing) - 80 psi (static)

### FLOW REQUIREMENT:

25 gpm (94.6 L/min.)

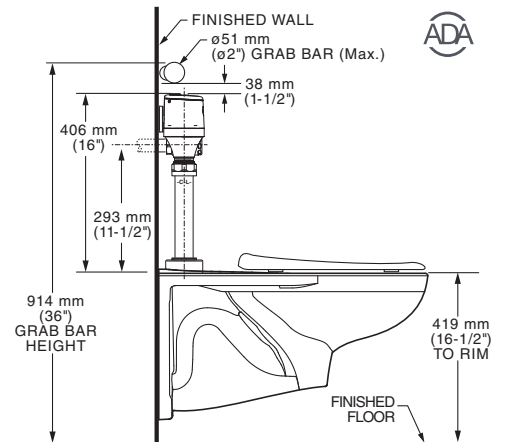
### BATTERY LIFE:

240,000 cycles (5 years @ 4,000 flushes per month)

### OPTIONAL ACCESSORIES:

- Split Ring Pipe Supports 2-1/2" C-E (6065.822) & 6" C-E (6065.862)

### ADA WATER CLOSET INSTALLATION: AFWALL® TOILET SHOWN



**\*\*Flush Valve can be installed to meet ADA 2010 Section 609 when installed as shown**

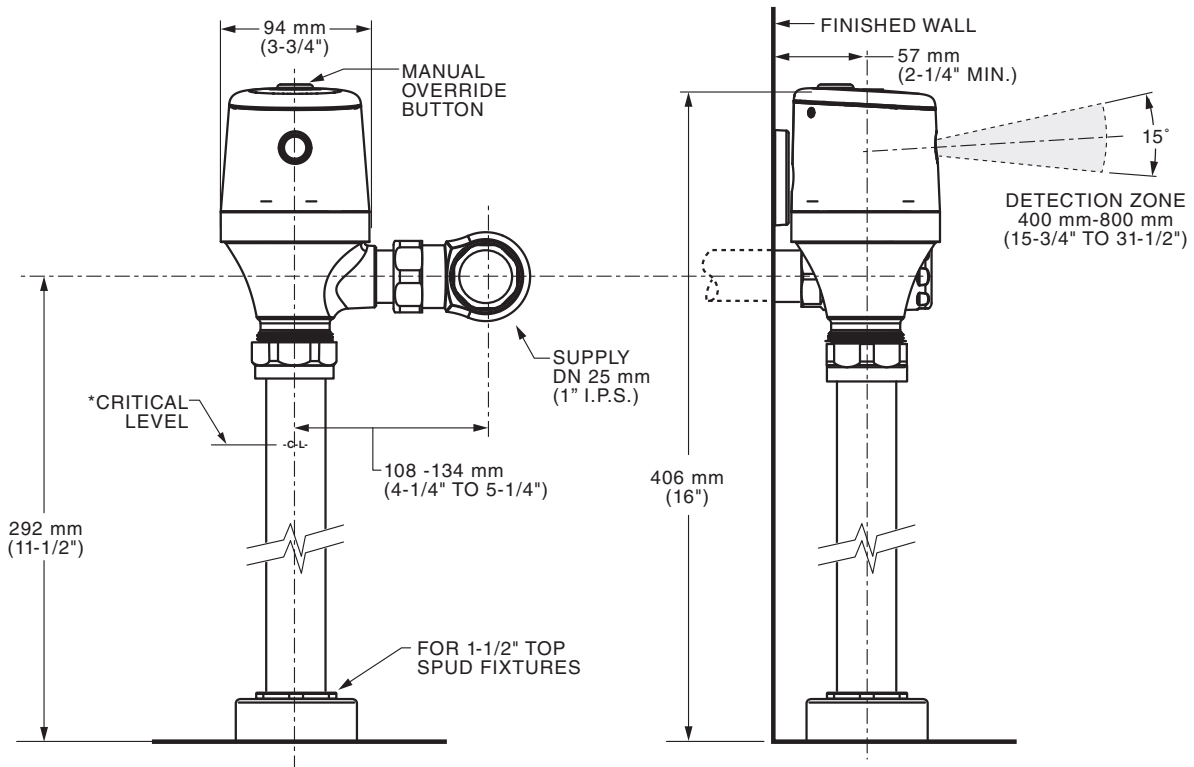
### RECOMMENDED SPECIFICATION:

Touchless, sensor-operated toilet flush valve shall feature self-cleaning diaphragm valve with integral DynaClean® wiper spring in bypass orifice to prevent clogging and valve run-on. Advanced EvoLast® diaphragm material provides superior chlorine-and chloramine resistance. Includes fully mechanical manual override that can flush the valve without power. Dezincification-resistant cast brass valve body with chrome finish. High back pressure vacuum breaker included. 1.1 gpf / 1.28 gpf / 1.6 gpf and 1.28 / 1.1 gpf flush valve shall be American Standard Model # 6247\_\_\_\_.002.

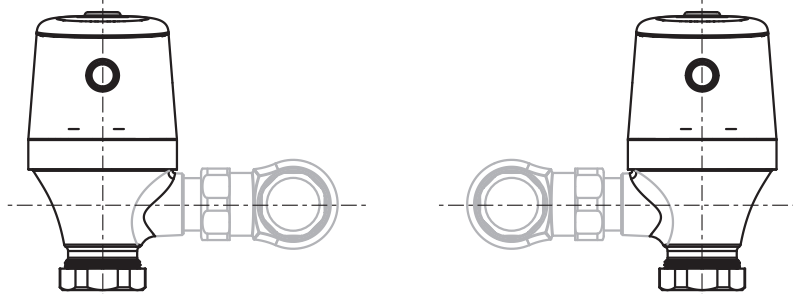
**LISTINGS:**

- ASSE 1037
- ANSI/ASME A112.19.2
- ADA Compliant

**Roughing-in Dimensions**



\*Note: The Critical Line (-C-L) on Vacuum Breaker must typically be 6" (152 mm) above fixture. Consult Codes for details.



**Right or Left Hand Installation**