

**METERING
LAVATORY
FAUCETS**

Thank you for selecting American-Standard...the benchmark of fine quality for over 140 years.

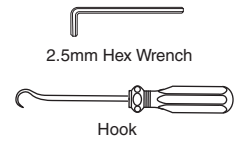
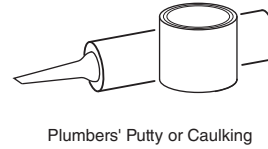
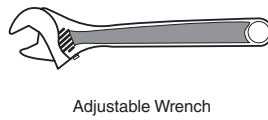
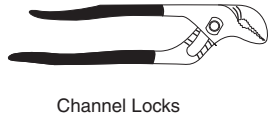
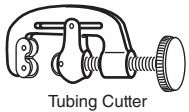
To ensure that your installation proceeds smoothly--please read these instructions carefully before you begin.



Certified to comply with ANSI A112.18.1M

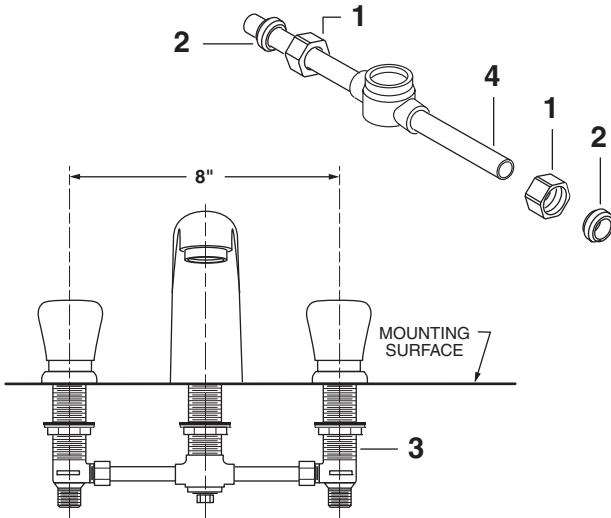
M968492 Rev.1.8 (8/19)

Recommended tools



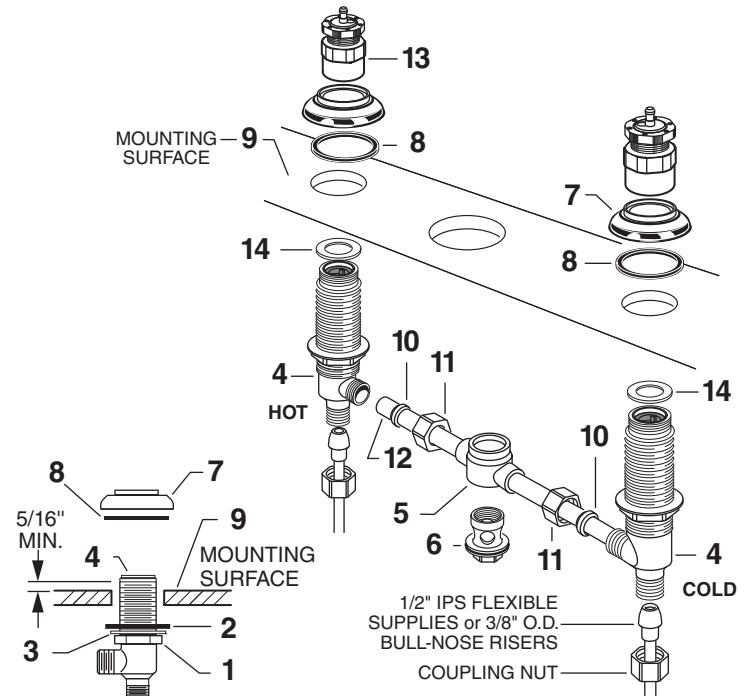
1 PREPARE TUBE AND TEE ASSEMBLY

- Remove COUPLING NUT (1) and FERRULE (2) from each VALVE (3) and slide onto TUBING (4).



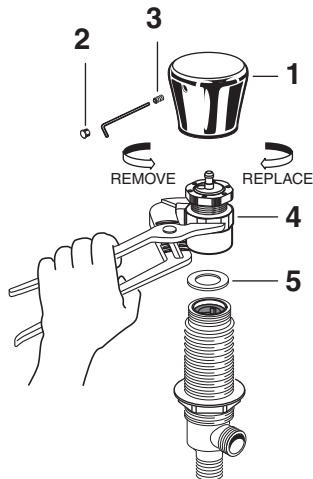
3 VALVE ASSEMBLY

- Install LOCKNUTS (1), METAL WASHERS (3) and RUBBER WASHERS (2) onto valve shanks.
- Push TUBING (12) ends into VALVE (4) side outlets. Insert VALVES (4) into mounting holes from underside of ledge.
- Thread of VALVE BODY (4) should extend at least 5/16 inch above MOUNTING SURFACE (9). If necessary, adjust LOCKNUT (1).
- Place RUBBER RING (8) into ESCUTCHEONS (7) and thread onto valves until snug against internal stop.
- Tighten LOCKNUT (1) to secure VALVE (4) position.
- Slide FERRULE (10) and COUPLING NUT (11) to outlet of VALVE (4) and tighten COUPLING NUT (11) firmly.
- Place WASHER (14) on top of VALVE ASSEMBLY (4).
- Thread VALVE ACTUATORS (13) onto VALVES (4) and torque VALVE ACTUATOR 12-15 ft. lbs, (12-20Nm).
- Connect water supply to VALVES (4) with 1/2" IPS FLEXIBLE SUPPLIES or 3/8" O.D. BULL-NOSE RISERS. Use adjustable wrench to tighten connections. Do not over tighten. Be careful not to kink copper supply when bending. Use tubing cutter to cut to proper length.



2 REMOVE HANDLE AND ACTUATOR ASSEMBLY

- Remove HANDLE (1) by removing INDEX BUTTON (2) and SET SCREW (3) with a 2.5mm hex wrench.
- Pull off HANDLE (1).
- Remove ACTUATOR ASSEMBLY (4).
- Replace WASHER (5) with new Washer (5) that is provided in separate bag.



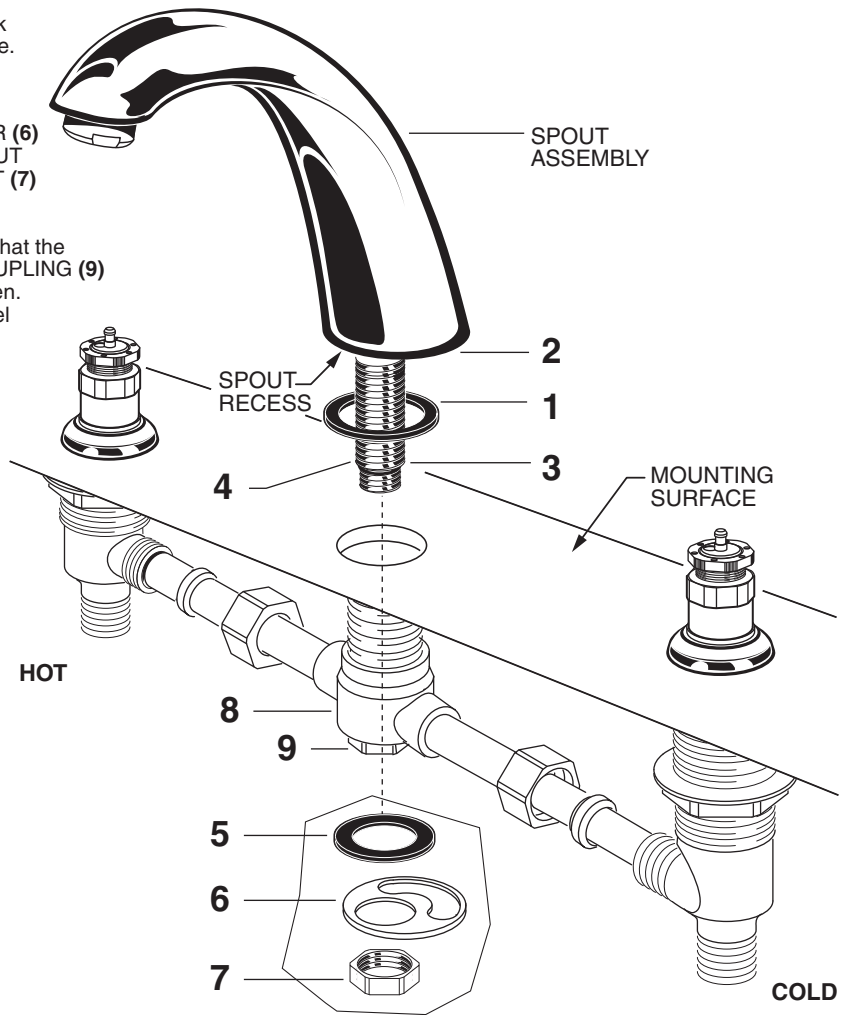
4

SPOUT ASSEMBLY

CAUTION

Turn off hot and cold water supplies before beginning.

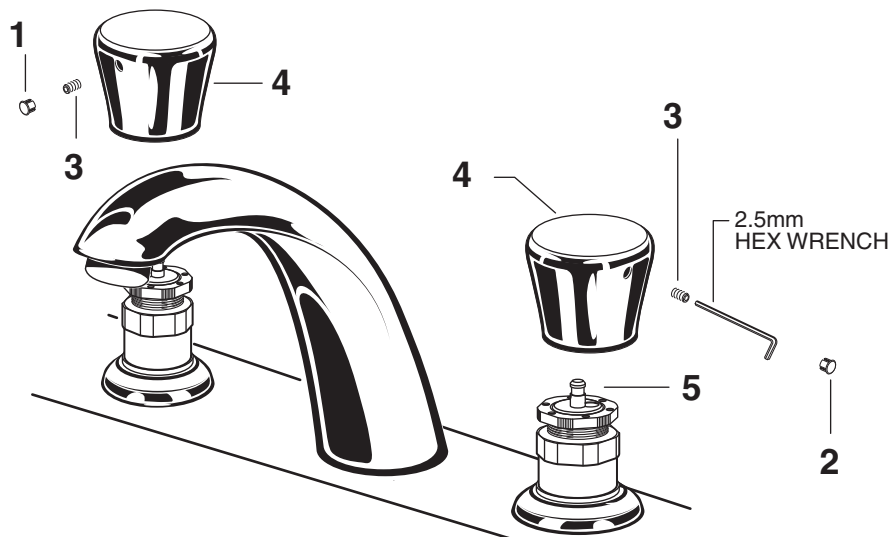
- Install RING WASHER (1) into SPOUT (2) recess. Check that O-RING (3) on end of SPOUT SHANK (4) is in place. Insert SPOUT SHANK (4) into center hole on mounting surface.
- Assemble RUBBER WASHER (5) and BRASS WASHER (6) and LOCKNUT (7) onto SPOUT SHANK (4). Align SPOUT ASSEMBLY. From underside of ledge, tighten LOCKNUT (7) approximately halfway up the spout shank.
- Press SPOUT SHANK (4) onto TEE (8) making certain that the O-RING (3) is properly seated on SHANK (4). Push COUPLING (9) into TEE (8) and attach to SPOUT SHANK (4) and tighten. Por la parte inferior, apriete la tuerca (7) para asegurar el cuerpo a la superficie de montaje.



5

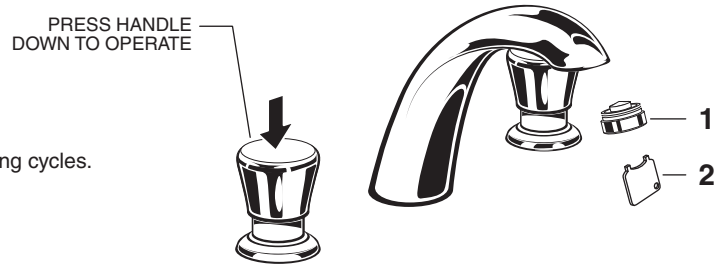
INSTALL HANDLES

- Remove INDEX BUTTON (1; 2) and loosen SET SCREW (3) with a 2.5mm hex wrench.
- Install HANDLES (4) onto VALVE STEM (5).
- Tighten SET SCREWS (3) with 2.5mm Hex Wrench.
- Replace INDEX BUTTONS. Red (1) in Left HANDLE (4) Blue (2) in Right HANDLE (4).



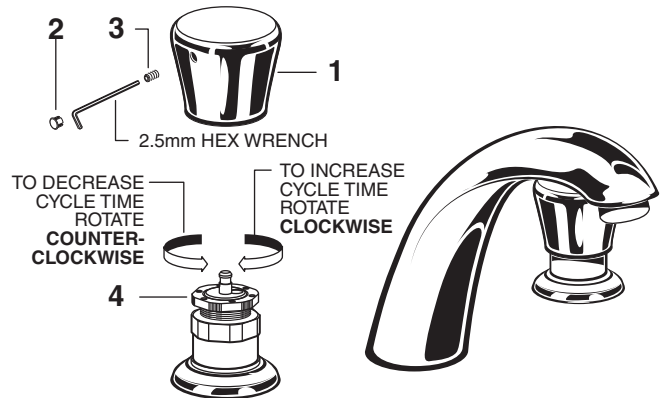
6 TEST INSTALLED FITTING

- Turn on water supplies and check connections for leaks.
- Remove AERATOR (1) with KEY (2) supplied.
- Operate HOT and COLD HANDLES by pressing down on HANDLES. Both Hot and Cold handles are set for approximately 8 second operating cycles.
- Replace AERATOR (1).



7 TO ADJUST CYCLE TIME

- Remove HANDLE (1) by removing INDEX BUTTON (2) and SET SCREW (3) with a 2.5mm hex wrench.
- Pull off HANDLE (1).
- To increase cycle time, turn the white PLASTIC ADJUSTING NUT (4) **clockwise**.
- To decrease cycle time, turn the white PLASTIC ADJUSTING NUT (4) **counter-clockwise**.
- Replace HANDLE (1), SET SCREW (3) and INDEX BUTTON (2). Test faucet for proper operation and cycle time.



8 SERVICE

- Remove HANDLE (1). Refer to Step 3 for handle removal.
- Remove ACTUATOR ASSEMBLY (2).
- Remove WASHER (3). Use small Hook to pull out VALVE ASSEMBLY (4). **NOTE:** The tip of the hook must catch on SURFACE (8) to remove VALVE ASSEMBLY (4). Moderate force is required. If the hook is too deep it will not remove VALVE ASSEMBLY (4).
- Open VALVE ASSEMBLY (4) by pulling VALVE BODY TOP (5) off of VALVE BODY BOTTOM (6). **NOTE:** There are three internal pieces including a spring. Take caution not lose these components while opening the valve body.
- Ensure that O-RINGS (7) are free of any debris. Remove O-RING (9), clean thoroughly, and ensure the groove beneath is free of debris. Reinstall O-RINGS (9).
- Reassemble VALVE ASSEMBLY (4) by pressing VALVE BODY TOP (5) on to VALVE BODY (6) until they lock with an audible snap.
- Push VALVE ASSEMBLY (4) into faucet body. Place WASHER (3) with collar facing down on top of VALVE ASSEMBLY (4). See detail "A". Thread VALVE ACTUATOR (2) onto faucet. Torque VALVE ACTUATOR (2) to 12-15 ft. lbs (15-20 Nm).
- Replace HANDLE (1).

