

artos[®]

PS110

premier series shower set

OPERATING SPECIFICATIONS



FEATURES

Solid Brass
3-Outlet

INCLUDES

F903B-55TK
F907-51
F907-75
F703-6

OPERATING PRESSURE

Minimum: 15 psi
Maximum: 75 psi
Above 90psi it may be necessary to install a pressure reducer

OPERATING TEMPERATURE

Maximum: 176°

FLOW CAPACITY

Handshower: 1.8 USGPM
Shower Heads: 1.8 USGPM

APPROVAL



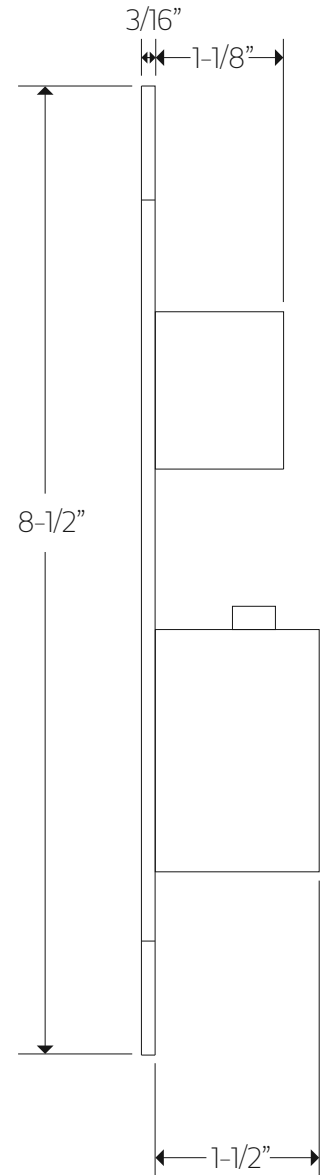
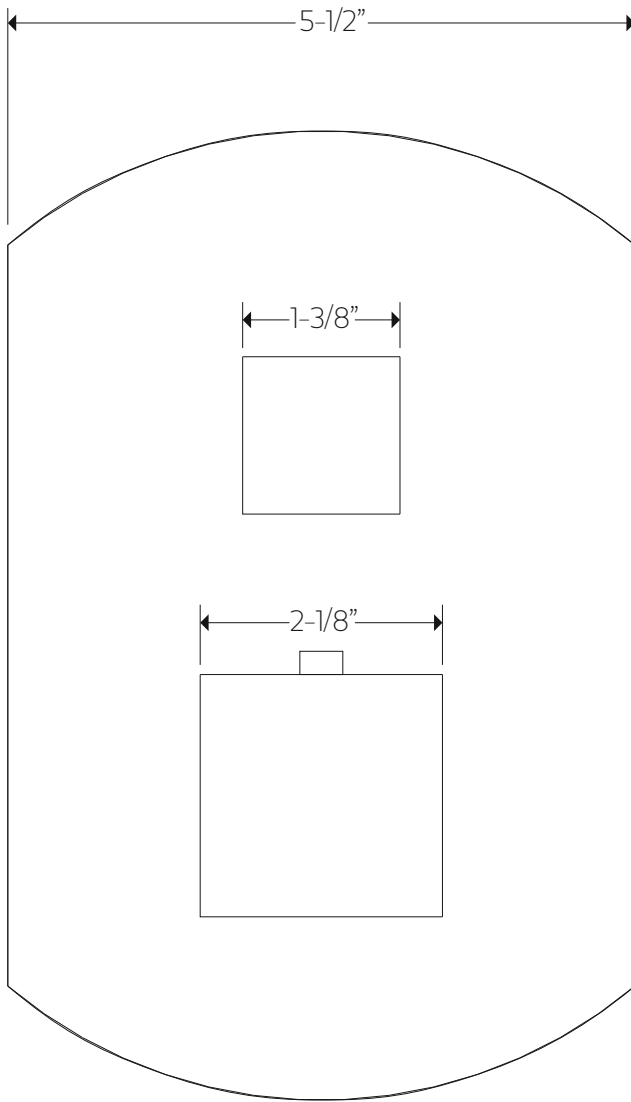
artos[®]

PS110

premier series shower set

PRODUCT DIMENSIONS

for trim kit



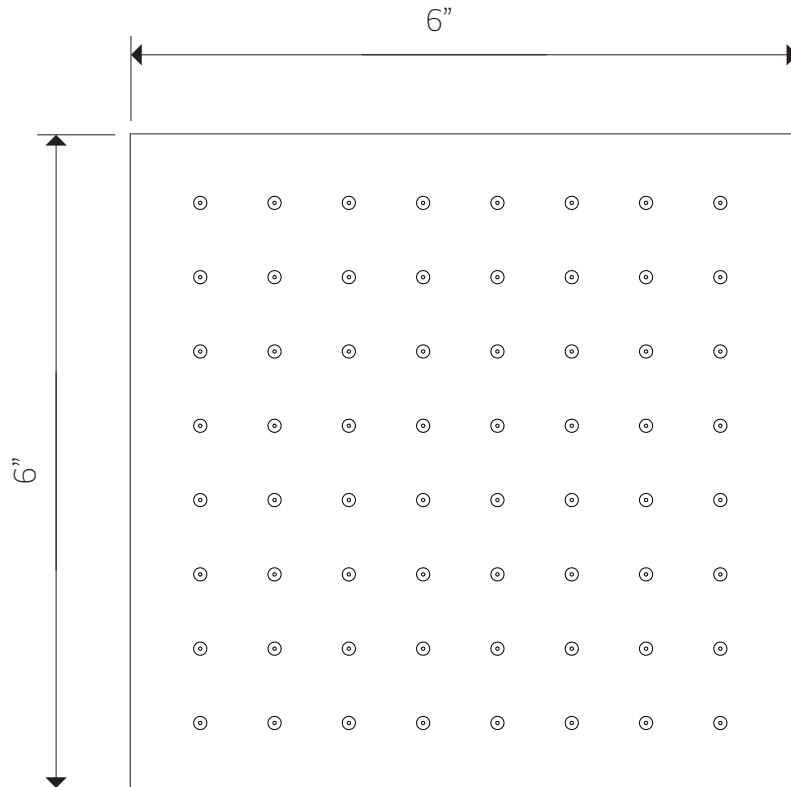
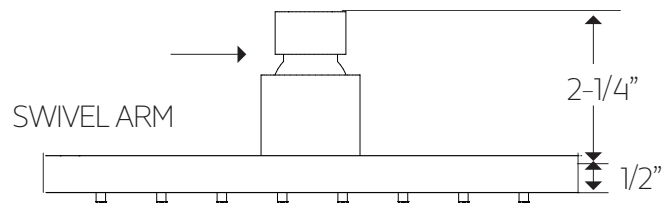
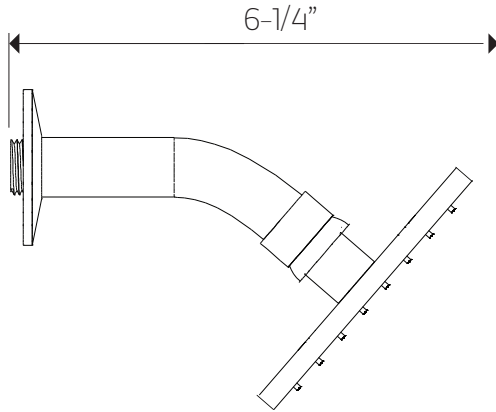
artos[®]

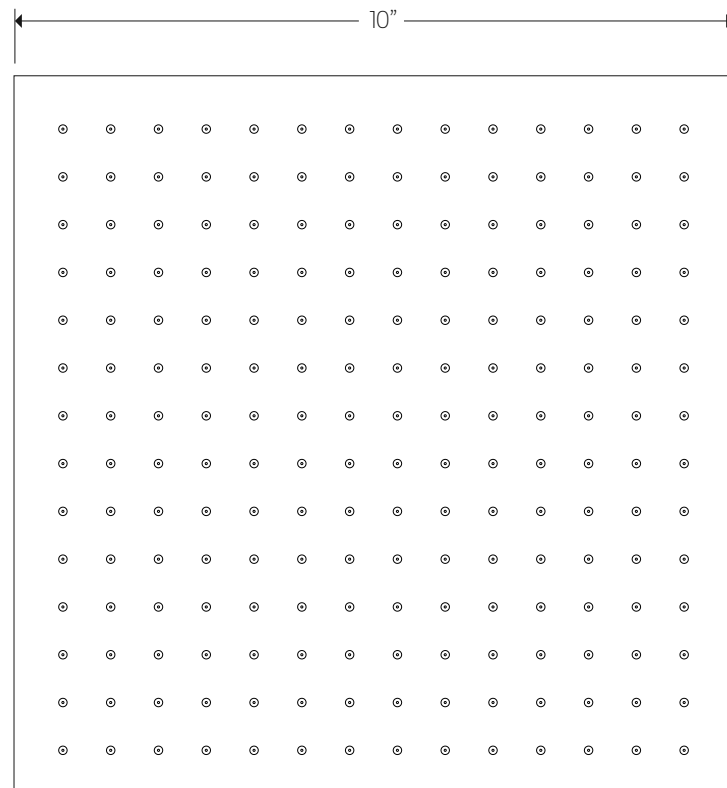
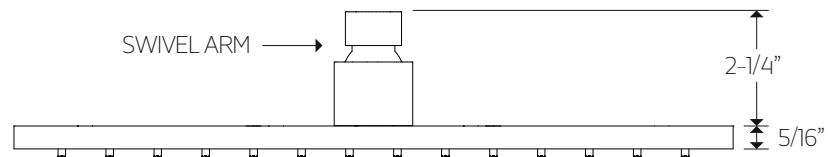
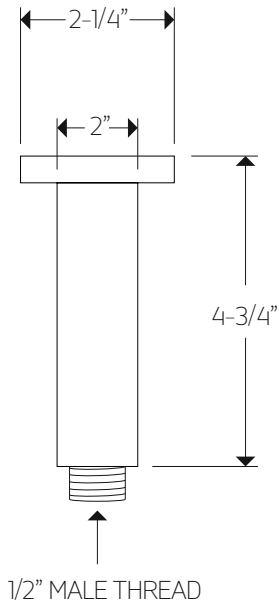
PS110

premier series shower set

PRODUCT DIMENSIONS

for angled shower head





artos[®]

PS110

premier series shower set

PRODUCT DIMENSIONS

for handshower

