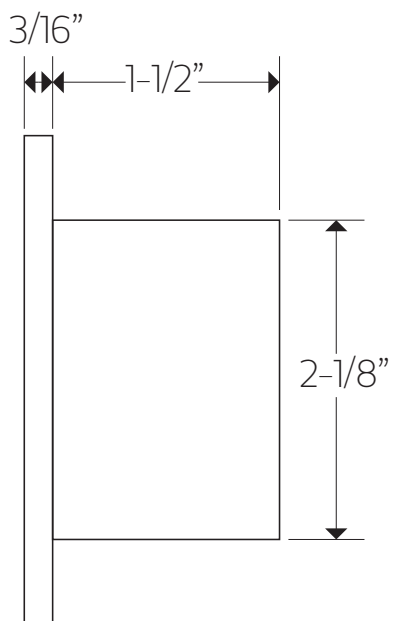
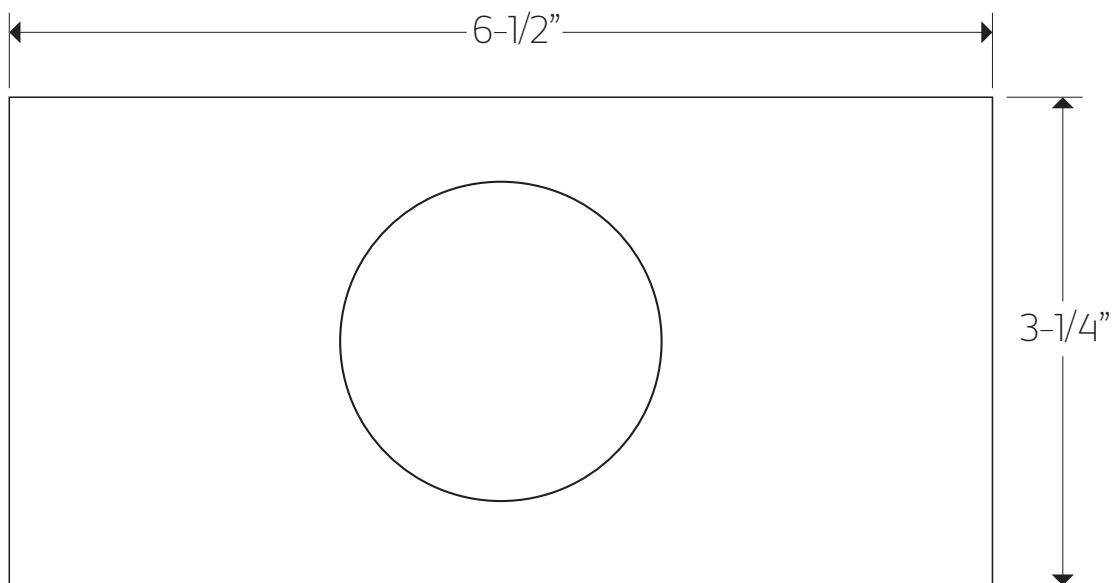


F909A-7TK

TECHNICAL DATA SHEET

3-way diverter trim kit only  
rnd+letterbox



# artos

F909A-7TK

3-way diverter trim kit only  
rnd+letterbox

## OPERATING SPECIFICATIONS

for associated valve | F909A-V0



### OPERATING PRESSURE

Minimum: 20 psi

Maximum: 125 psi

Recommended: 30-95 psi

### FLOW CAPACITY

6.9USGPM@60 psi

### INLET/OUTLET

(3) 1/2" Female NPT

(1) 1/2" Female NPS