

artos[®]

FS311

INSTALLATION GUIDE

8" lav faucet classic

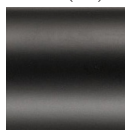
BRUSHED NICKEL(BN)



CHROME(CH)



BLACK(BK)



SATIN BRASS (SB)



POLISHED NICKEL(PN)



artos[®]

FS311

8" lav faucet classic

OPERATING SPECIFICATIONS



FEATURES

Valve bodies included

OPERATING PRESSURE

Minimum: 15 psi

Maximum: 75 psi

Above 90psi it may be necessary to install a pressure reducer

OPERATING TEMPERATURE

Maximum: 176°

FLOW RATE

1.2 USGPM

APPROVALS

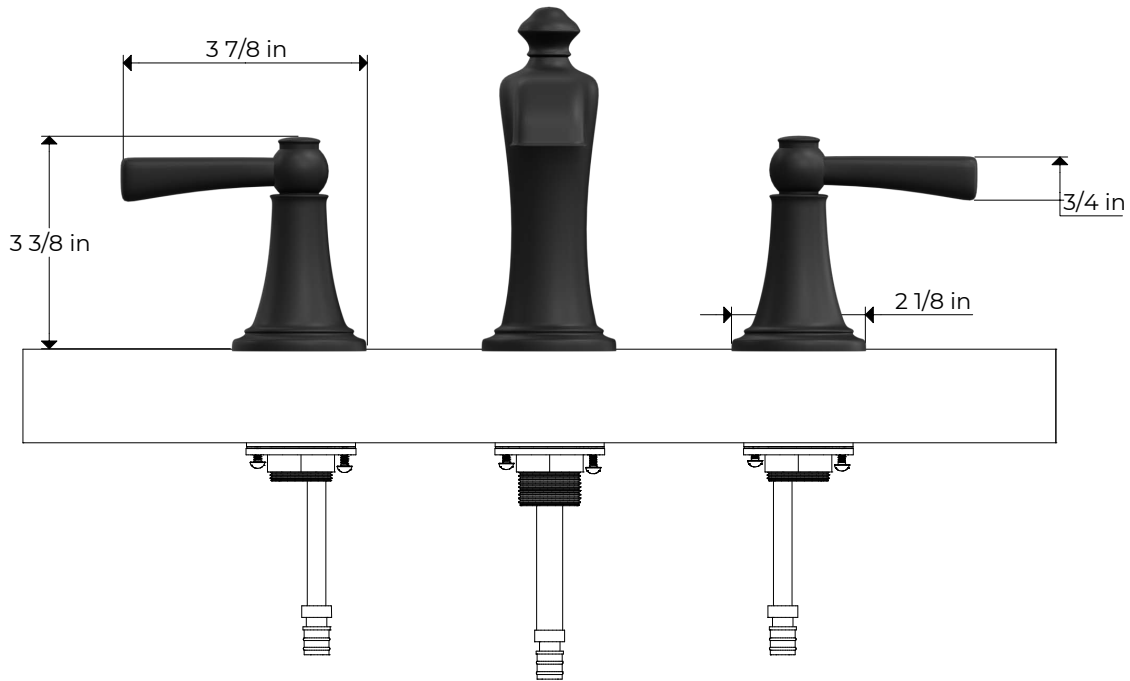


artos[®]

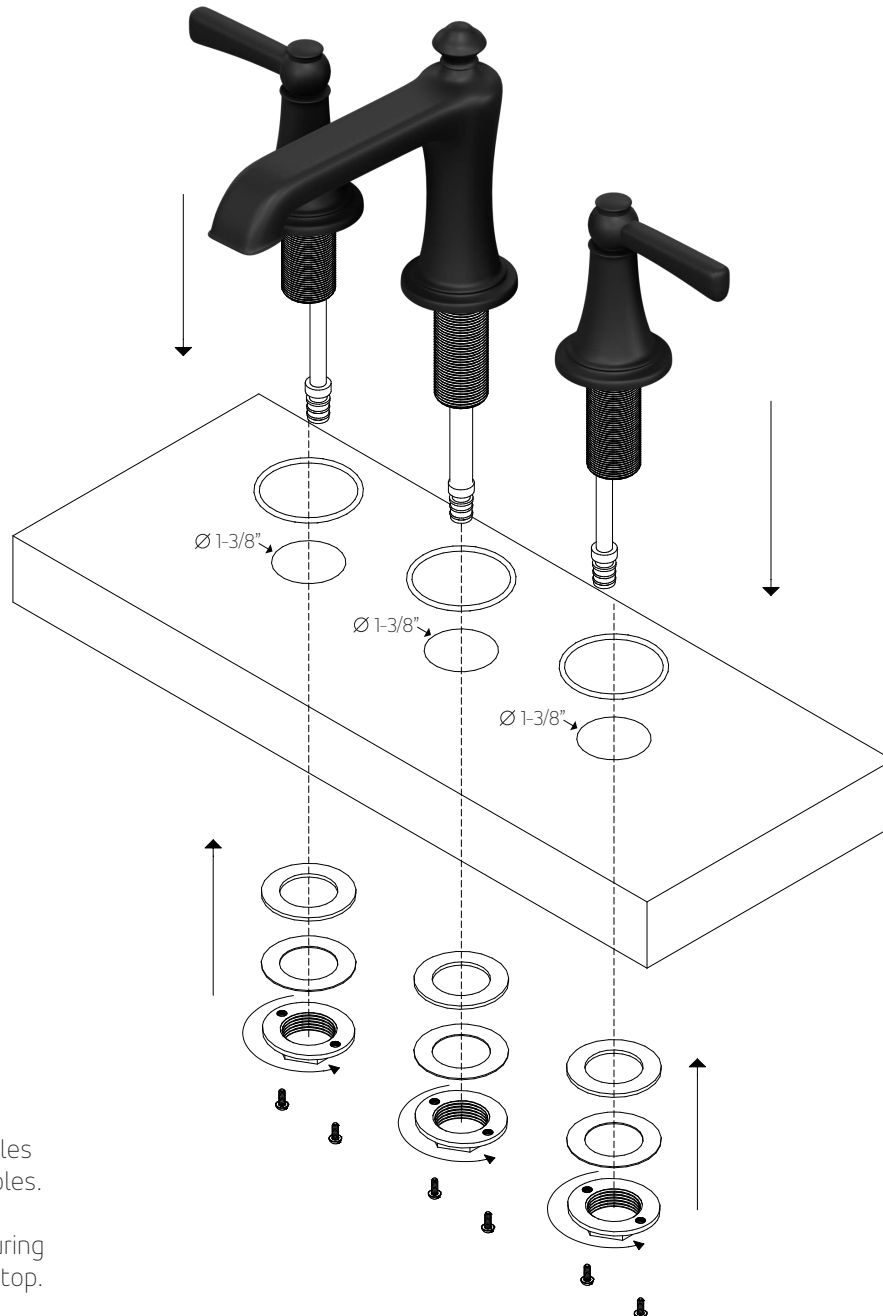
FS311

8" lav faucet classic

PRODUCT DIMENSIONS

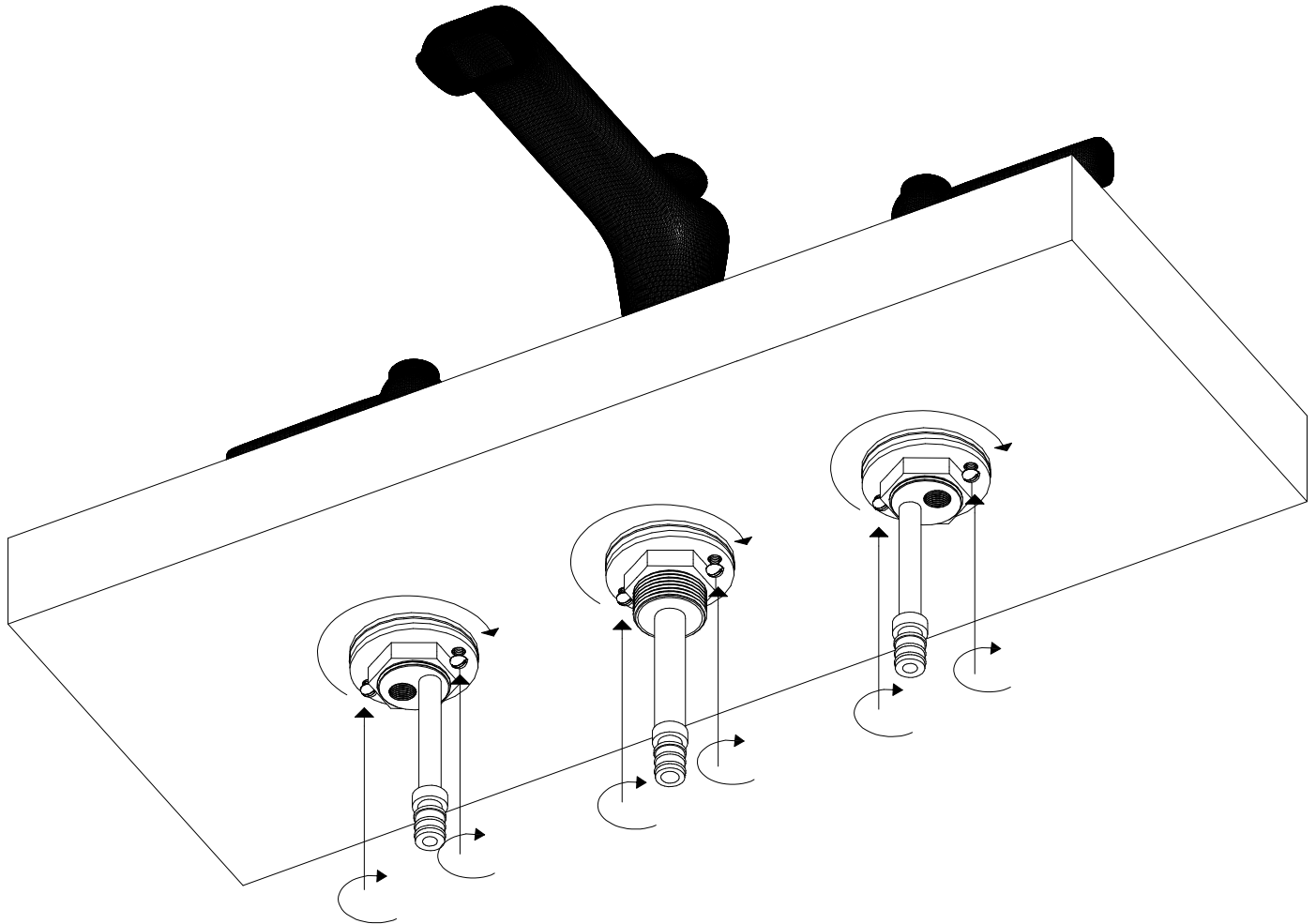


STEP 1



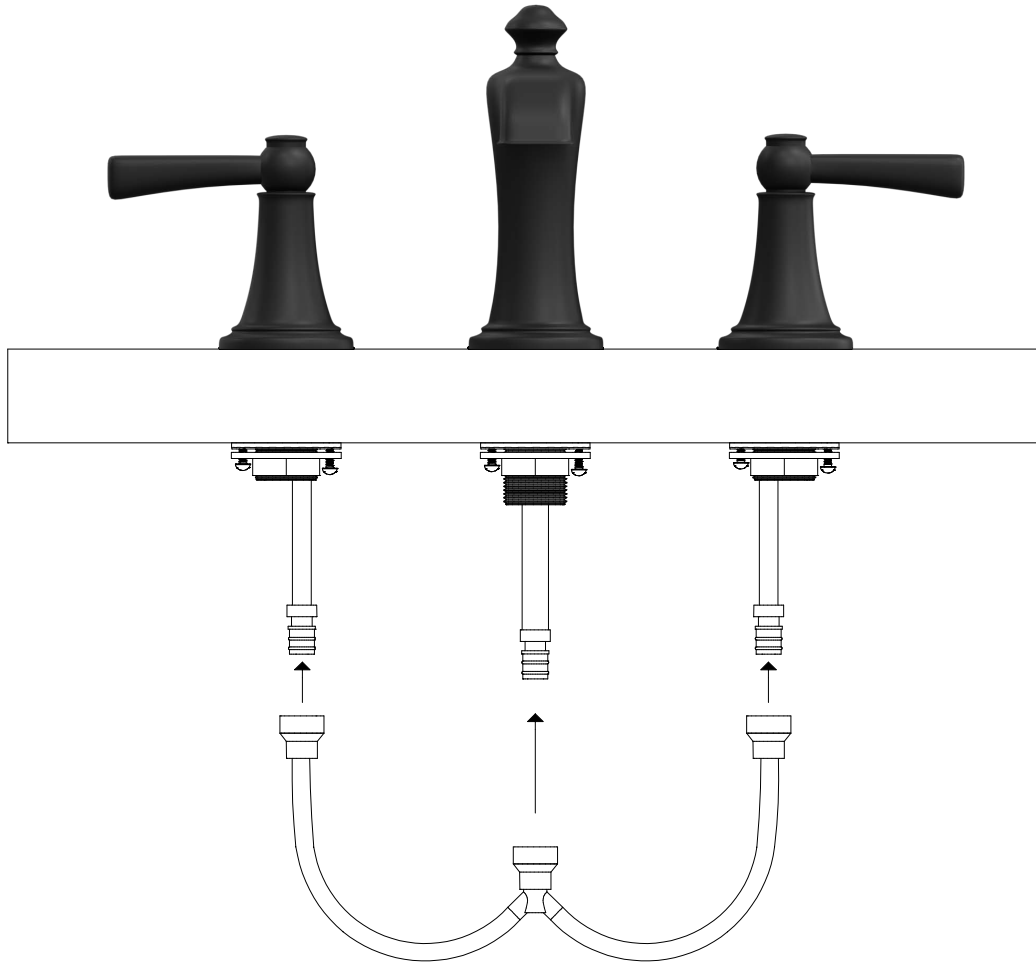
Install faucet and handles through counter top holes. Install rubber washer, metal washer and securing nut below the counter top.

STEP 2



Hand tighten securing nut,
and tighten the securing nut
screws with a screwdriver.

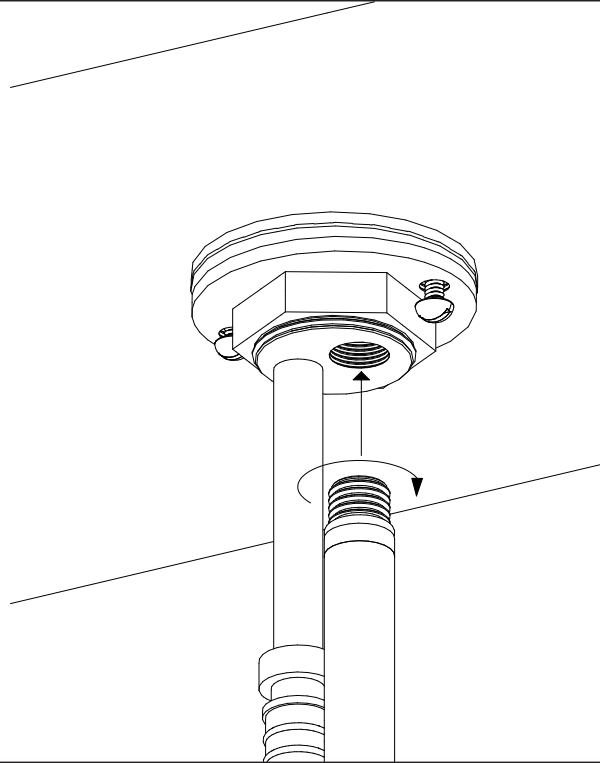
STEP 3



Push on the quick connect hose for the two control handles and the main mixing pipe.

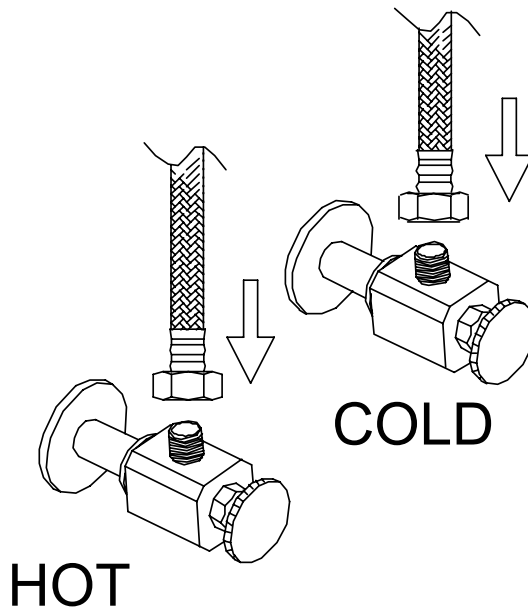
STEP 4

Attach hot and cold supply hoses to the control handle assembly



STEP 5

Attach hot and cold supply hoses to water supply.



- ① SPOUT
- ② CONTROL HANDLE ASSEMBLY (2)
- ③ O-RING (3)
- ④ RUBBER WASHER (3)
- ⑤ METAL WASHER (3)
- ⑥ SECURING NUT (3)
- ⑦ SECURING NUT SCREWS (6)
- ⑧ COLD SUPPLY HOSE
- ⑨ MIXING PIPE
- ⑩ HOT SUPPLY HOSE

